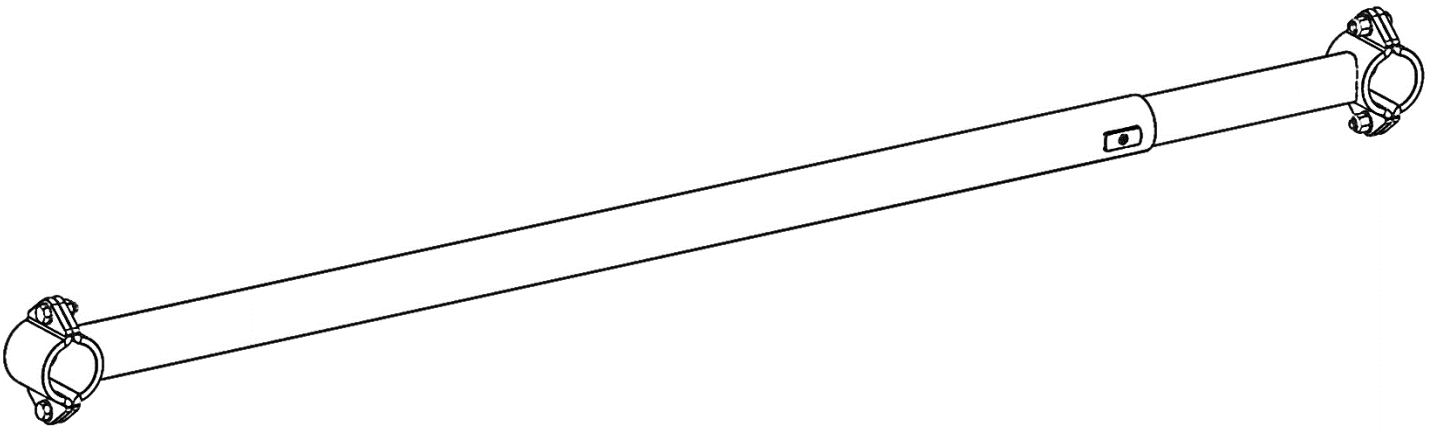


# Holman

---

## Instruction Guide 31110

---



---

Holman  
Rancho Cordova, CA 95742  
800-343-7486  
[InstallationSupport@Holman.com](mailto:InstallationSupport@Holman.com)

---

**PLEASE READ ALL INSTRUCTIONS AND WARNINGS PRIOR TO ASSEMBLING, INSTALLING, AND USING THIS PRODUCT.**

**Warning**



**DO NOT EXCEED MANUFACTURERS WEIGHT CAPACITY FOR ROOF.**



**Secure all payloads properly for safe transportation.**

**Table of Contents**

Tools Needed ..... 1

Before You Begin ..... 1

Parts List..... 1

Hardware ..... 2

Install Crossbar..... 2

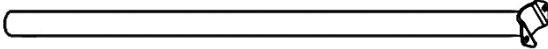
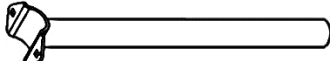
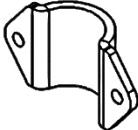
**Tools Needed**

9/16" Socket and Wrench	3/16" Allen Wrench
-------------------------	--------------------

**Before You Begin**

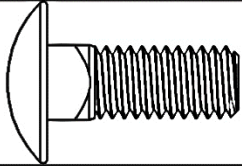

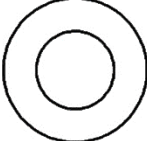

- Read all instructions prior to assembling or installing any Holman product.
- **Always locate your installation locations prior to performing any work.**

**Parts List**

NO.	ITEM	PART NUMBER	DESCRIPTION	QTY.
1		13-00306	2" BAR ASSY, QUICK CLAMP	1
2		13-00305	1 3/4" BAR ASSY, QUICK CLAMP	1
3		101572	MTG BRKT CLAMP	2
4		18-31110	HARDWARE KIT	1

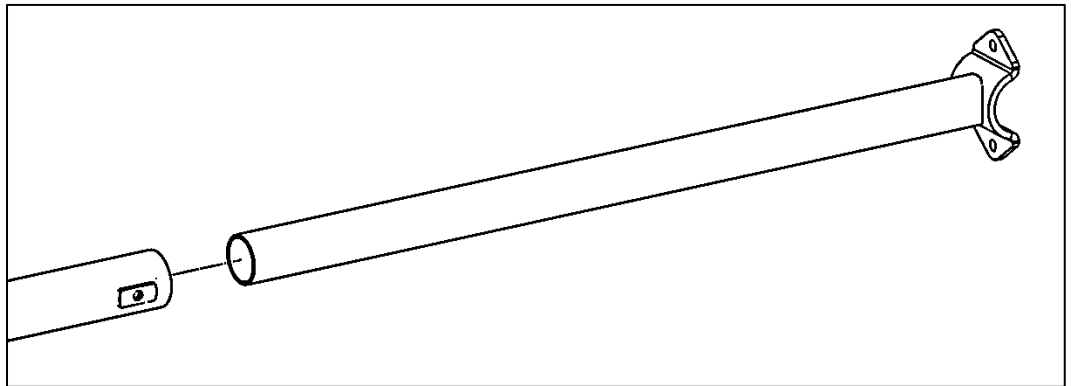
## DO NOT EXCEED MANUFACTURERS WEIGHT CAPACITY FOR ROOF!

### Hardware

ITEM	HARDWARE TO SCALE	PART NUMBER	DESCRIPTION	QTY.
1		74436	3/8-16 X 1" CARRIAGE BOLT	4
2		0135144	3/8"-16 x 3/8" SET SCREW	1
3		0159723	3/8" FLAT WASHER	4
4			3/8"-16 JAM NYLOCK NUT	4

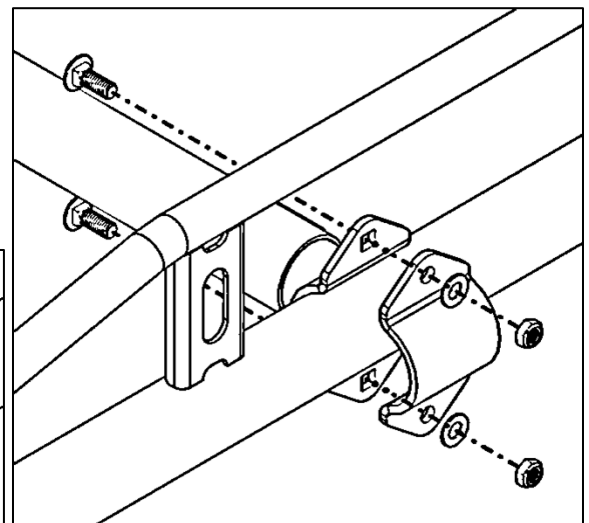
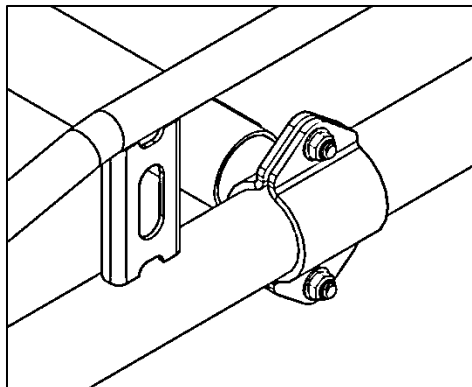
### Install Crossbar

- Insert the 1-3/4" bar assembly into the 2" bar assembly.



The extra crossbar is typically installed midway between crossbar behind cab and front truck rack u-bar, as illustrated below.

- Put crossbar in place and secure each side using a bracket clamp, two 3/8" x 1" carriage bolts, two 3/8" washers, and two 3/8" lock nuts as shown below. **We recommend laying a towel over vehicle roof when installing to avoid scratches in paint.**
- Square the crossbar to the side channel.
- Snug tighten but allow for movement.
- Repeat on opposite side.



- Using a 3/8" x 3/8" set screw, lock the 1-3/4" bar assembly inside the 2" bar assembly.
- Tighten all hardware.

**GO BACK AND TIGHTEN ALL  
HARDWARE.**

**INSTALLATION IS COMPLETE.**

