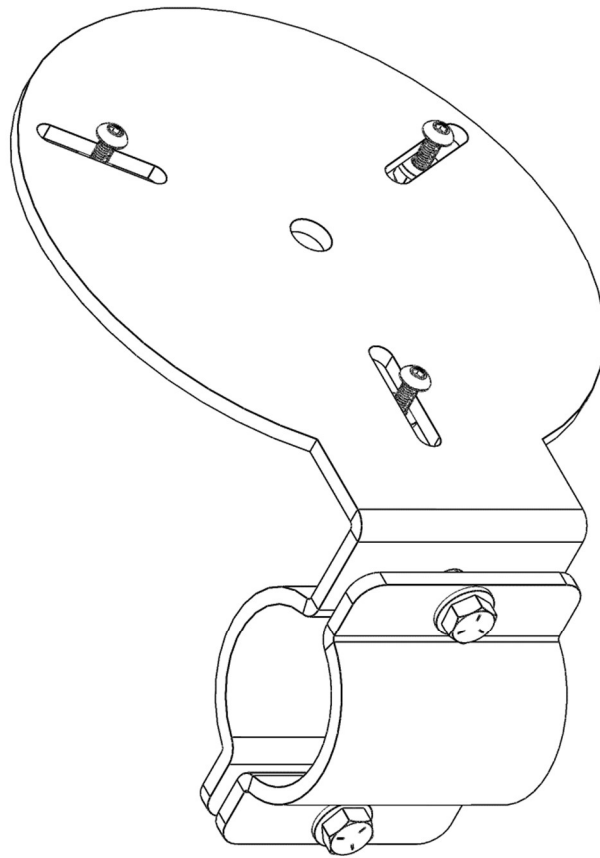


Holman

Instruction Guide 31170



Holman
Rancho Cordova, CA 95742
800-343-7486
InstallationSupport@Holman.com

PLEASE READ ALL INSTRUCTIONS AND WARNINGS PRIOR TO ASSEMBLING, INSTALLING, AND USING THIS PRODUCT.

Warning



Always check for wires, fuel tanks and lines, brake lines and other important vehicle functionality items prior to drilling and installing all products.

Table of Contents

Tools Needed 1

Before You Begin 1

Parts List..... 2

Hardware 2

Step 1 – Attach Beacon Light Bracket to rack 3

Step 2 – Install Beacon Light 3

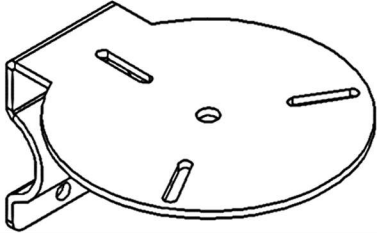
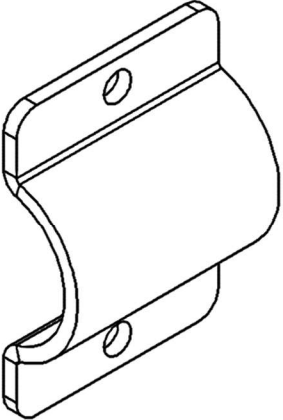
Tools Needed

3/8" Socket and Wrench	3/8", 1/2" Box Wrench
1/2" Socket and Socket Wrench	1/8" Allen Wrench




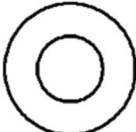


Before You Begin

- Read all instructions prior to assembling or installing any Holman product.
- **Always locate your installation locations prior to performing any work.**
- **ENSURE SAFETY WHILE INSTALLING OR DRILLING INTO VEHICLE.**

Parts List

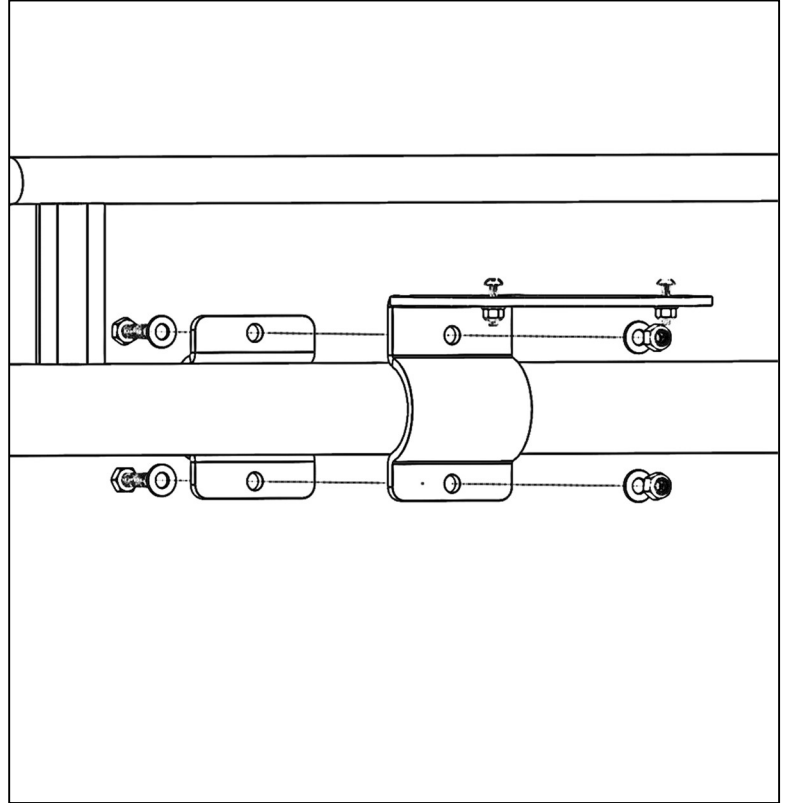
NO.	ITEM	PART NUMBER	DESCRIPTION	QTY.
1		11-00503	LIGHT MOUNT	1
2		11-00512	BRACKET CLAMP	1
3		18-00031	31170 HARDWARE	1

Hardware

ITEM	HARDWARE TO SCALE	PART NUMBER	DESCRIPTION	QTY.
1		37015	10-32 NYLOC NUT	3
2		33074	#10 FLAT WASHER	3
3		84043	10-32 X 7/8" BUTTON HEAD CAP SCREW	3
4		33080	5/16" WASHER	4
5		0169777	5/16"-18 NYLOC	2
6		11138689	5/16-18 X 1" HEX HEAD BOLT	2

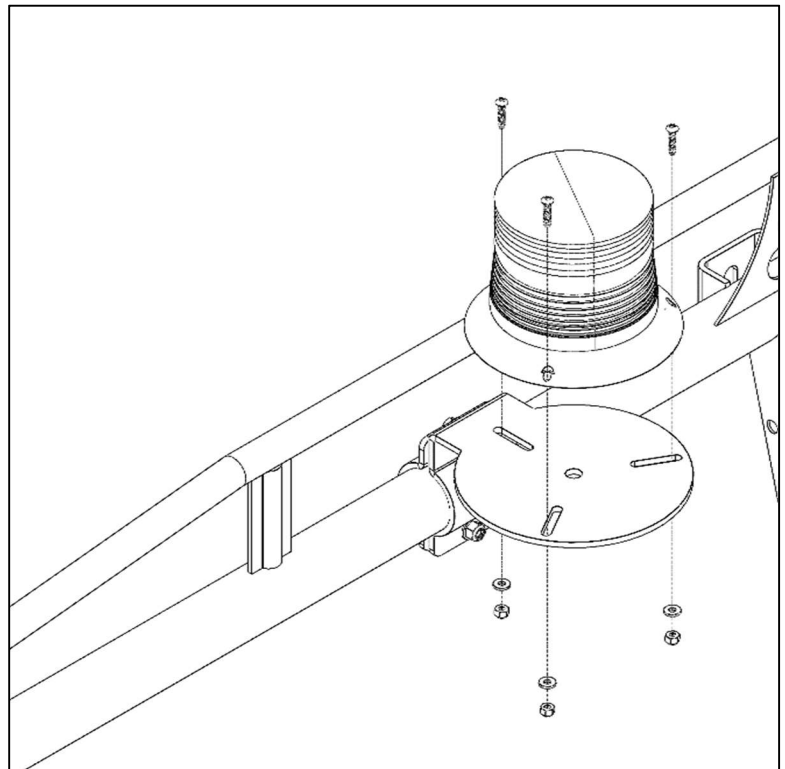
Step 1 – Attach Beacon Light Bracket to Rack

- Find desired location for beacon Light mount.
- Using two 5/16" bolts four washers, and lock nuts, secure the mounting bracket around the lower rack tube.



Step 2 – Install Beacon Light

- Using three 10-32 button cap screws, three washers, and three lock nuts secure the light to the light mount bracket.



**GO BACK AND TIGHTEN
ALL HARDWARE.**

**INSTALLATION AND
ASSEMBLY ARE
COMPLETE.**