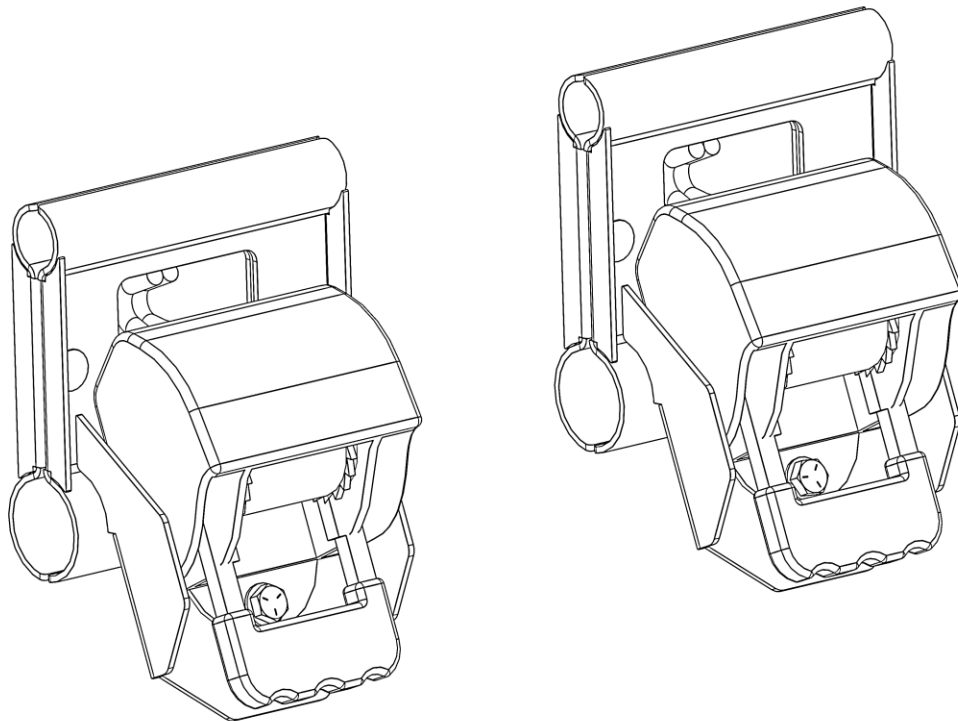


Holman

Instruction Guide 31493



Holman
Rancho Cordova, CA 95742
800-343-7486

InstallationSupport@Holman.com

PLEASE READ ALL INSTRUCTIONS AND WARNINGS PRIOR TO ASSEMBLING, INSTALLING, AND USING THIS PRODUCT.

Warning



Always check for wires, fuel tanks and lines, brake lines and other important vehicle functionality items prior to drilling and installing all products.

Tools Needed

1/2" Socket and Wrench	9/16" Socket and Wrench
------------------------	-------------------------

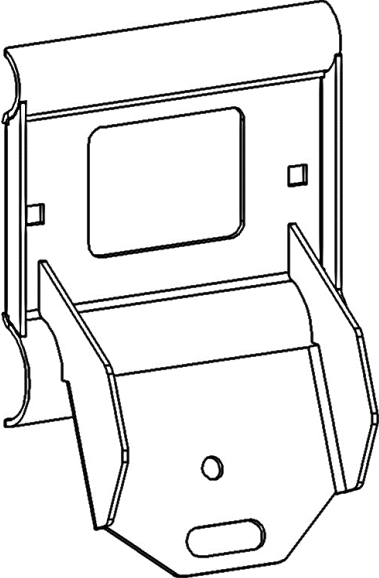
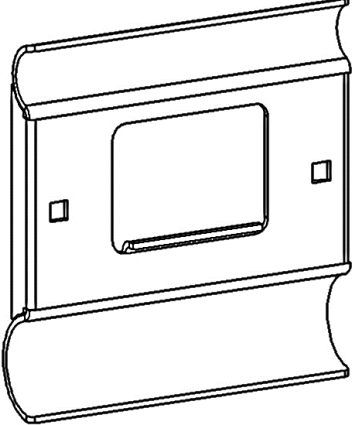
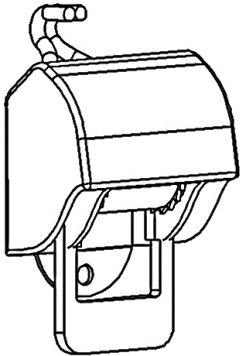
Table of Contents

Parts List2
Hardware3
Step 1 – Determine Mount Locations4
Step 2 – Mount Clamps to Rack.....4
Step 3 – Mount Ratchet Straps5

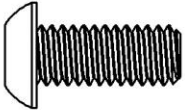
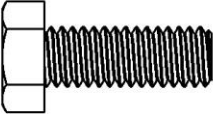

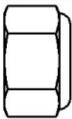

Before You Begin

- Read all instructions.
- **DO NOT EXCEED MANUFACTURERS WEIGHT CAPACITY FOR ROOF.**

Parts

ITEM NO.		PART NUMBER	DESCRIPTION	QTY.
A		100534	1-5/8" Ratchet Clamp	2
B		100536	1-5/8" Ratchet Clamp, Rear	2
C			Large Ratchet Strap	2
		18-31492	Hardware Kit	1

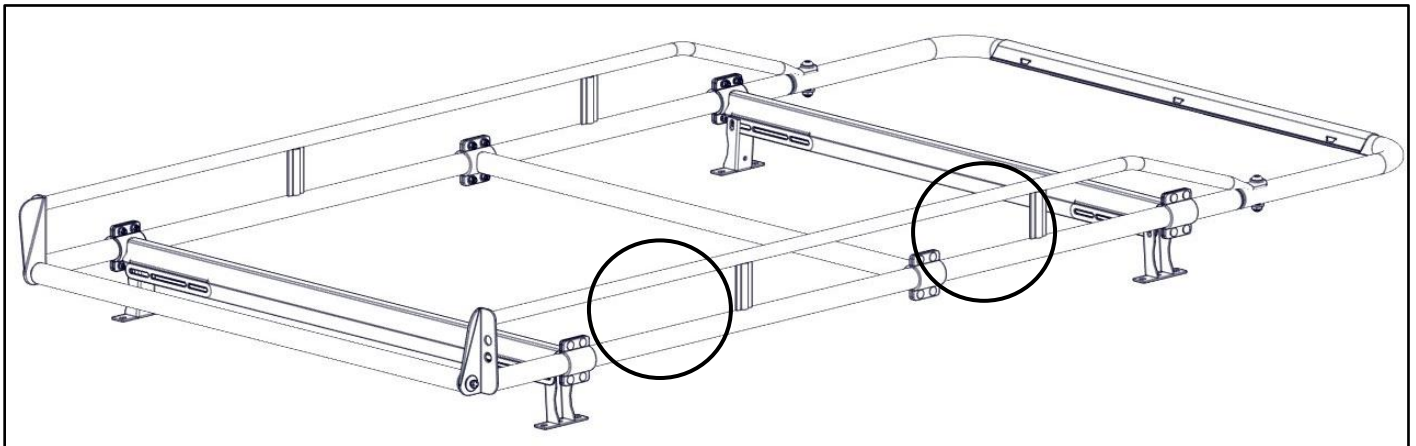
Hardware

ITEM	HARDWARE TO SCALE	PART NUMBER	DESCRIPTION	QTY.
1		0153308	5/16"-18 X 3/4" BUTTON HEAD SCREW	4
2		13054	5/16"-18 X 7/8" HEX HEAD BOLT	2
3		92141A030	5/16" Flat Washer	12
4	 	0169777	5/16"-18 LOCK NUT	6

Step 1 – Determine Mount Locations

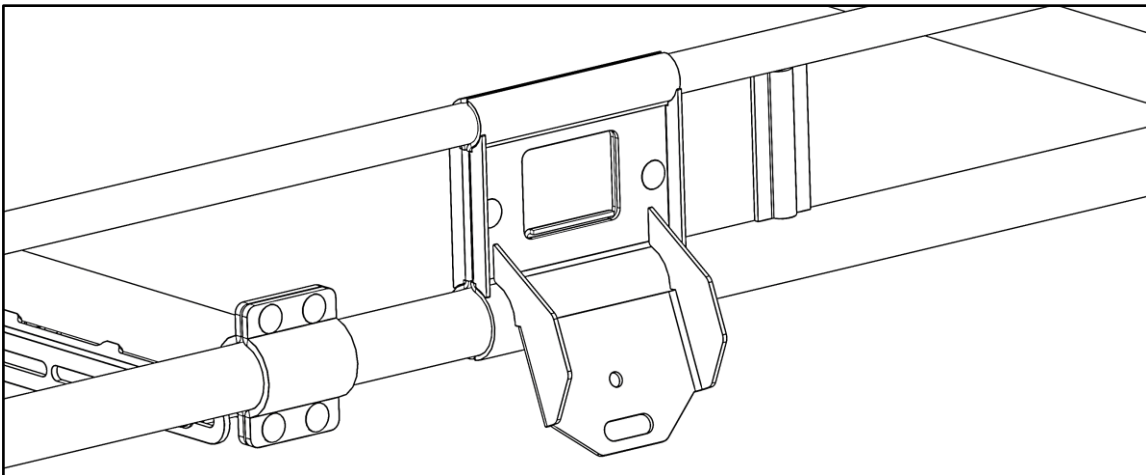
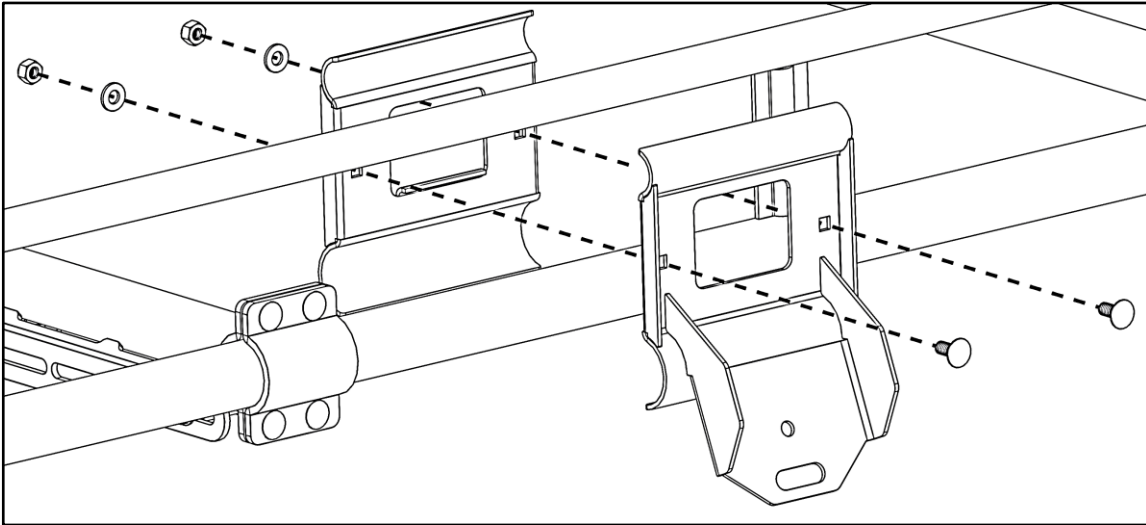
- Determine desired location to install ratchet straps.

Various locations may be used. Rack may differ from what is shown below.



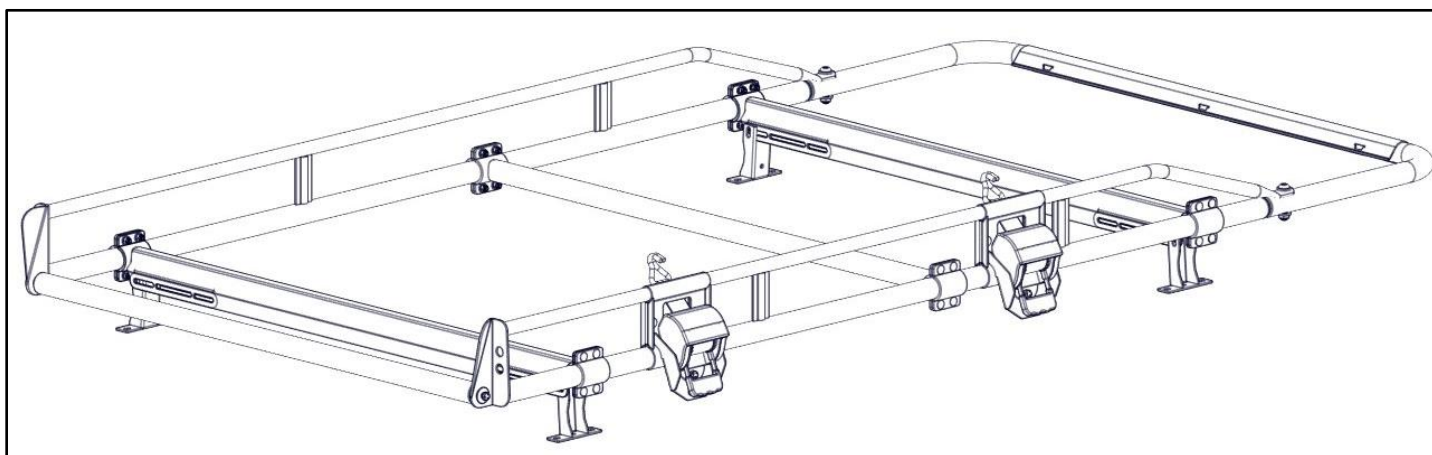
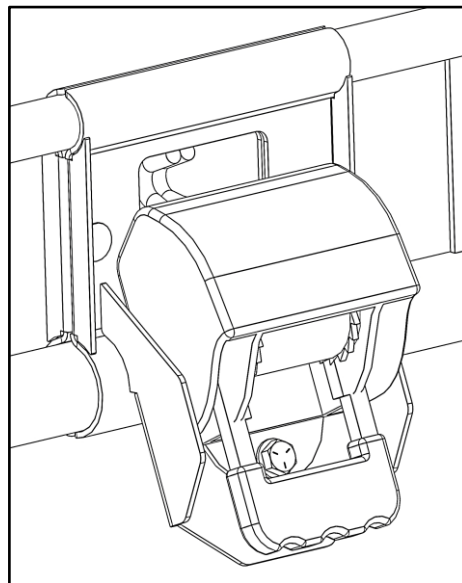
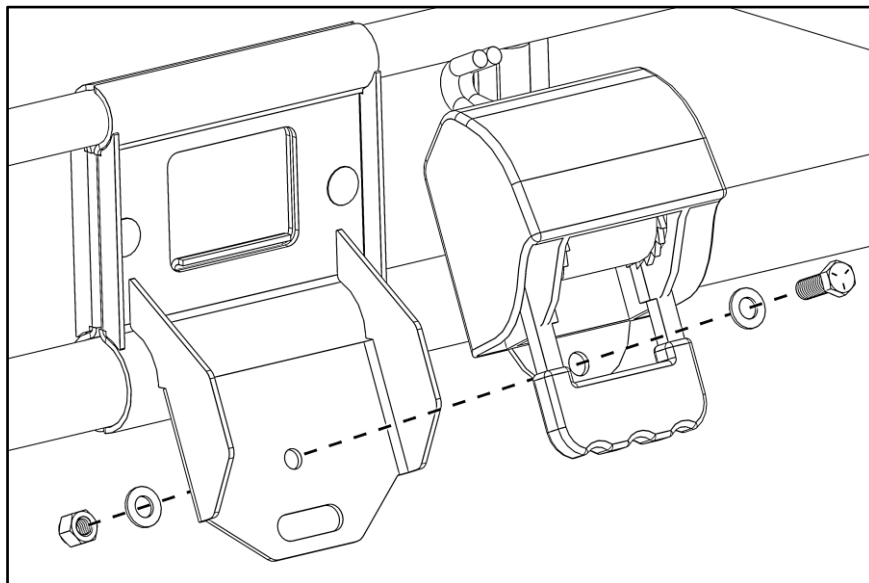
Step 2 – Mount Clamps to Rack

- Clamp the ladder rack using the two brackets. The bracket with the ratchet strap mount goes to the outside of the rack.
- Bolt through both brackets in orientation shown using 5/16" x 3/4" carriage bolts, 5/16" flat washers and 5/16" lock nuts.
- Repeat a second time on each bracket.
- Snug tighten, but allow movement.



Step 3 – Mount Ratchet Straps

- Place ratchet strap in the orientation shown. Insert the hook of the strap through the square cut-out in the previously installed brackets.
- Bolt into place using 5/16" x 1" hex head bolt, two 5/16" flat washers and 5/16" lock nuts.
- Repeat for second ratchet strap.
- Tighten hardware.



GO BACK AND ENSURE ALL HARDWARE IS TIGHT.

INSTALLATION IS NOW COMPLETE.