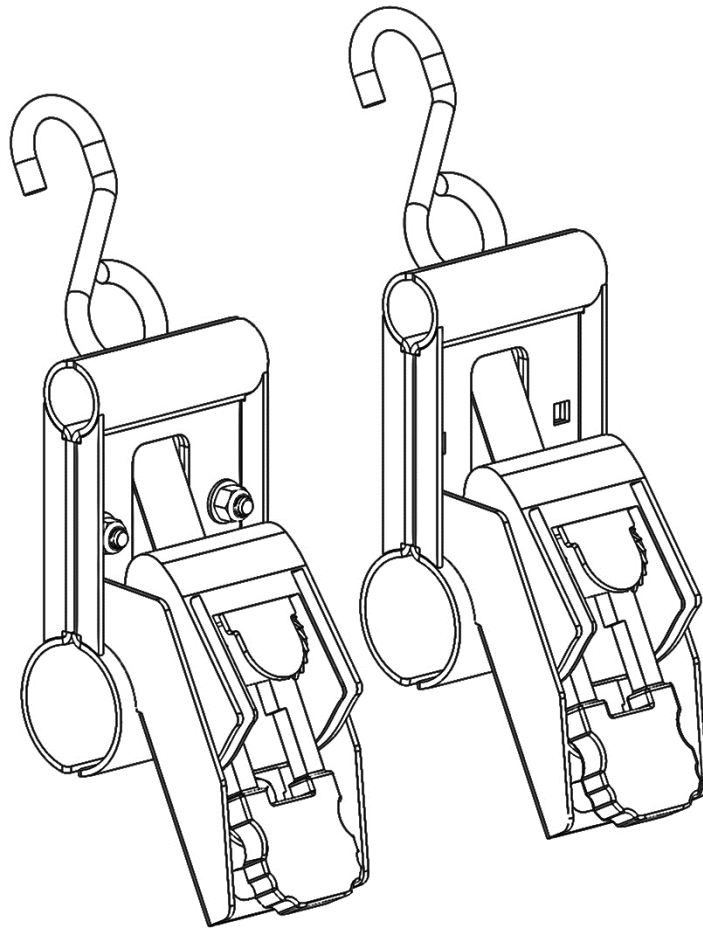


Holman

Installation Guide 31503



Holman
Rancho Cordova, CA 95742
800-343-7486

InstallationSupport@Holman.com

PLEASE READ ALL INSTRUCTIONS AND WARNINGS PRIOR TO ASSEMBLING, INSTALLING, AND USING THIS PRODUCT.

Warning



DO NOT EXCEED MANUFACTURERS WEIGHT CAPACITY FOR ROOF.



Secure all payloads properly for safe transportation.

Tools Needed

1/2" Socket and Wrench

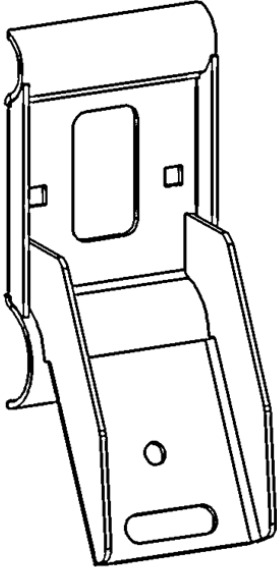
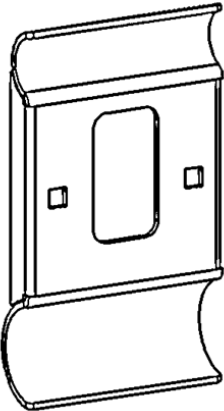
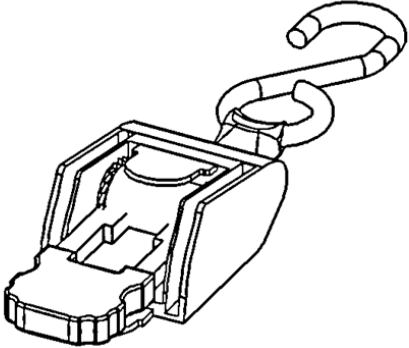
Table of Contents

Before You Begin	1
Parts List	2
Hardware.....	3
Installation	3

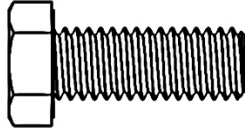
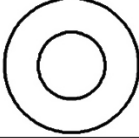
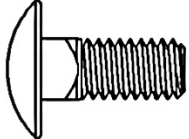

Before You Begin

- Read all instructions prior to assembling or installing any Holman product.

Parts List

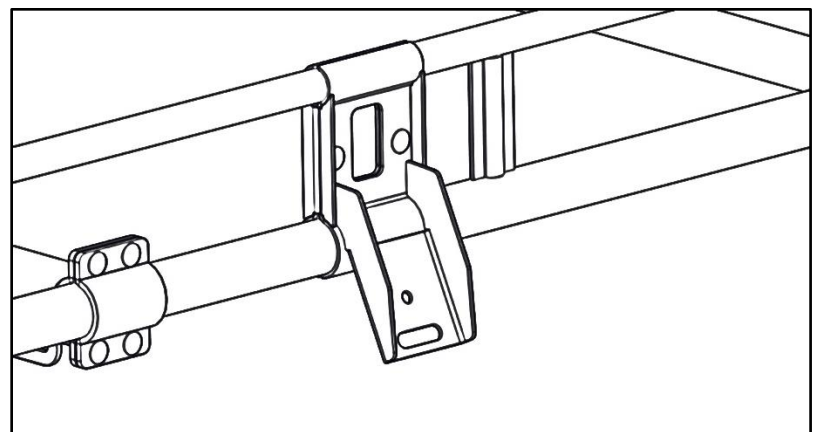
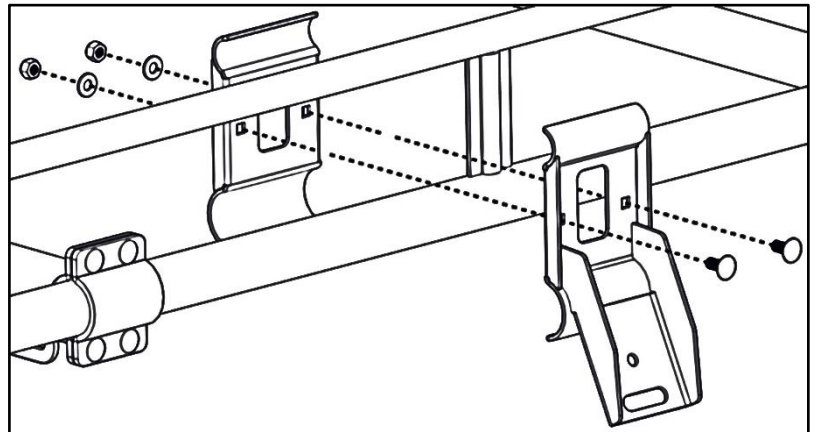
ITEM NO.		PART NUMBER	DESCRIPTION	QTY.
A		100538	1-5/8" Ratchet Clamp	2
B		100540	1-5/8" Ratchet Clamp. Rear	2
C			Small Ratchet Strap	2
		18-31502	Hardware Kit	1

Hardware

ITEM	HARDWARE TO SCALE	PART NUMBER	DESCRIPTION	QTY.
1		11138689	5/16-18 X 1" HEX HEAD BOLT	2
2		33080	5/16" WASHER	8
3		21810	5/16"-18 X 3/4" CARRIAGE BOLT	4
4		0169777	5/16"-18 NYLOC	6

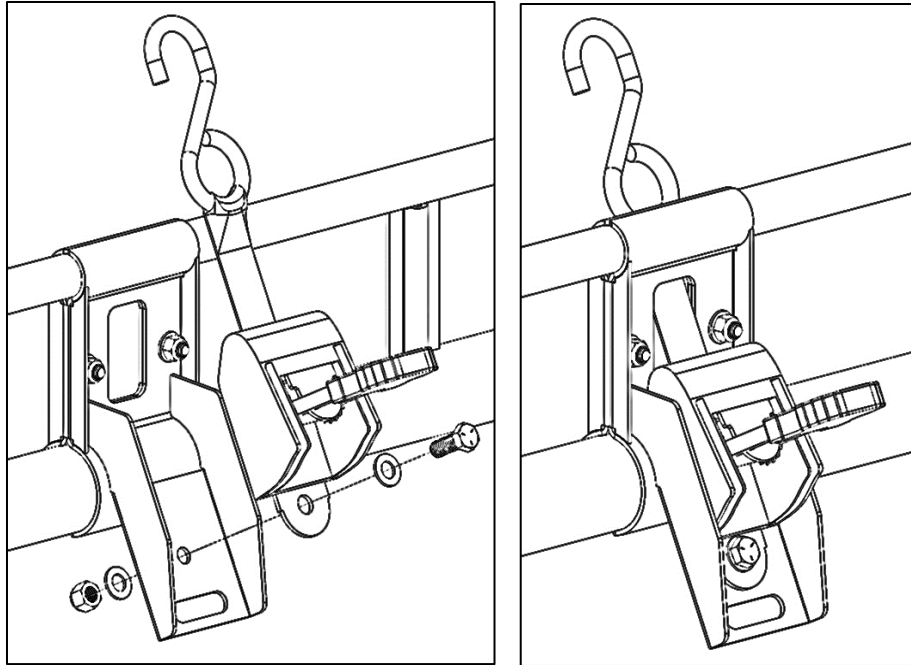
Step 1 – Mount Clamps to Rack

- Find desired location to attach ratchet strap mounts.
- Place ratchet side clamp on outside of ladder rack.
- Place back side clamp in position to pinch ladder rack between the two clamps as shown.
- Using two 5/16" x 3/4" carriage bolts, 5/16" flat washers, and 5/16" lock nuts bolt the two clamps together.
- Snug tighten but allow for movement.
- Repeat for other set of clamps.



Step 2 – Mount Ratchet Straps

- Place ratchet strap in the orientation shown. Insert the hook of the strap through the square cut-out in the previously installed brackets.
- Using a 5/16" x 1" hex head bolt, two 5/16" washers, and a 5/16" lock nut, bolt the ratchet strap to the ratchet strap mount as shown.
- Repeat for other set of clamps and brackets.



TIGHTEN ALL HARDWARE.

YOUR INSTALLATION IS NOW COMPLETE.