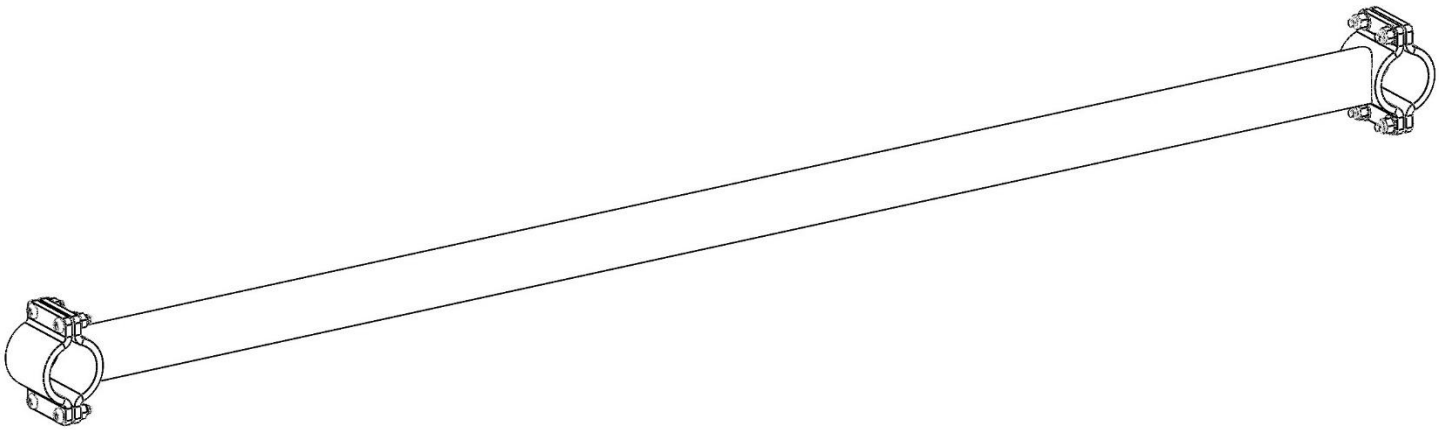


Holman

Instruction Guide 31691



Holman
Rancho Cordova, CA 95742
800-343-7486
InstallationSupport@Holman.com

PLEASE READ ALL INSTRUCTIONS AND WARNINGS PRIOR TO ASSEMBLING, INSTALLING, AND USING THIS PRODUCT.

Warning



Always check for wires, fuel tanks and lines, brake lines and other important vehicle functionality items prior to drilling and installing all products.

Table of Contents

Tools Needed 1
 Before You Begin 1
 Parts List..... 1
 Hardware 1
 Install Crossbar..... 2

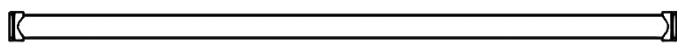
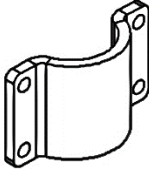
Tools Needed

3/16" Allen Hex Wrench	1/2" Box Wrench
------------------------	-----------------


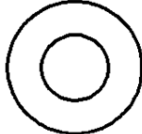

Before You Begin

- Read all instructions prior to assembling or installing any Holman product.
- Always locate your installation locations prior to performing any work.
- ENSURE SAFETY WHILE INSTALLING OR DRILLING INTO VEHICLE.

Parts List

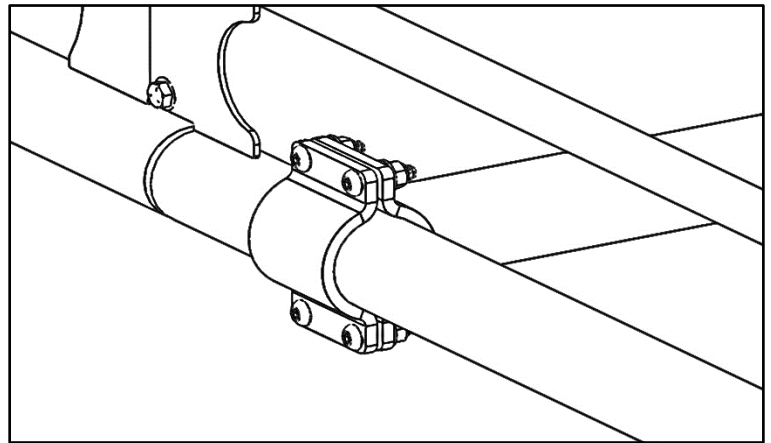
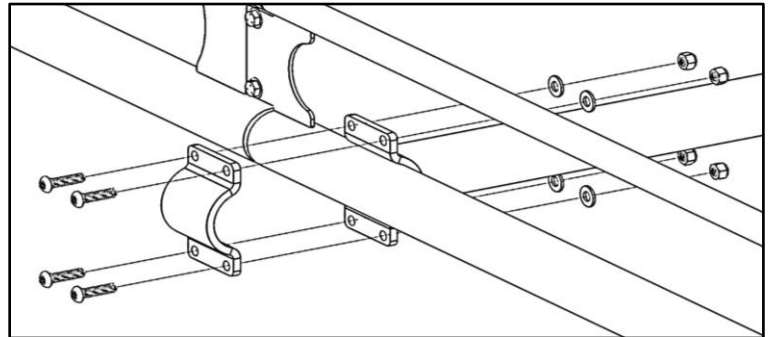
NO.	ITEM	PART NUMBER	DESCRIPTION	QTY.
1		101084	CROSSBAR ASSEMBLY	1
2		101086	TUBE CLAMP	2
3		18-00435	HARDWARE KIT	1

Hardware

ITEM	HARDWARE TO SCALE	PART NUMBER	DESCRIPTION	QTY.
1		94072	5/16"-18 X 1-1/4" BUTTON HEAD CAP SCREW	8
2		92141A030	5/16" FLAT WASHER	8
3		70861	5/16"-18 LOCK NUT	8

Install Crossbar

- Put cross bar in place and loosely bolt through a bracket clamp using four 5/16" x 1-1/4" button head cap screws, four 5/16" washers, and four 5/16" lock nuts as shown.
- Repeat on opposite side.
- Slide the crossbar into the desired location.
- **Be sure to square the crossbar with the rack.**
- Tighten all hardware.



GO BACK AND TIGHTEN ALL HARDWARE.

INSTALLATION IS COMPLETE.

