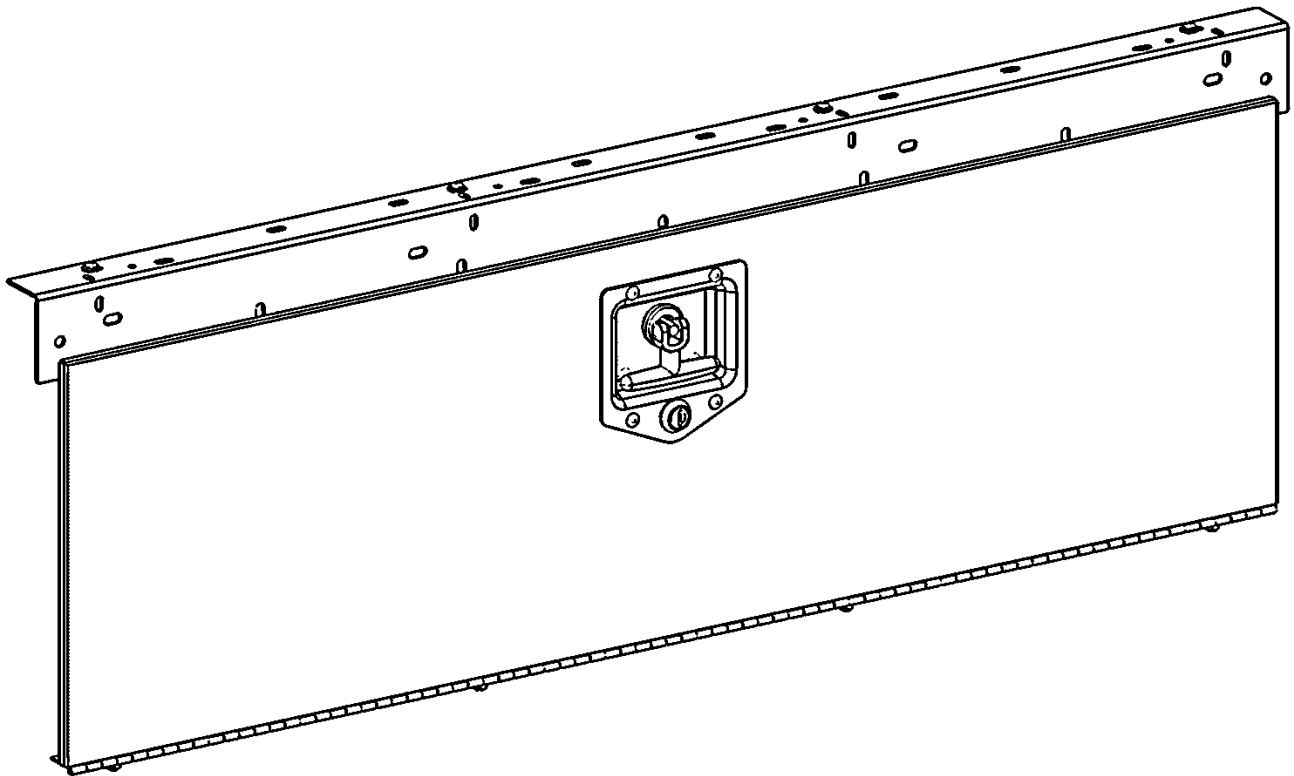


# Holman

---

## Installation Guide 40010-40020-40040

---



---

Holman  
Rancho Cordova, CA 95742  
800-343-7486  
[InstallationSupport@Holman.com](mailto:InstallationSupport@Holman.com)

---

---

## PLEASE READ ALL INSTRUCTIONS AND WARNINGS PRIOR TO ASSEMBLING, INSTALLING, AND USING THIS PRODUCT.

---

### Warning



Always check for wires, fuel tanks and lines, brake lines and other important vehicle functionality items prior to drilling and installing all products.

---

### Table of Contents

Tools Needed .....	1
Before You Begin .....	1
Parts List.....	2
Hardware (40010 and 40020).....	2
Hardware (40040).....	2
Step 1 – Determine Location of Door Kit .....	3
Step 2 – Install Door .....	3
Step 3A – Determine Upper Shelf Orientation .....	4
Step 3B – Install Door Stop .....	4

---

### Tools Needed

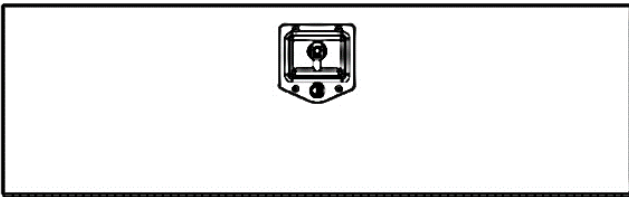
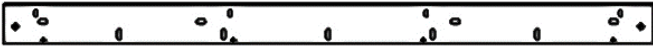
7/16" Socket and Wrench	#2 Phillips Screwdriver
-------------------------	-------------------------

---

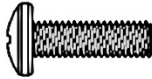
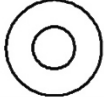


### Before You Begin

- Read all instructions prior to assembling or installing any Holman product.
- **Always locate your installation locations prior to performing any work.**
- **Be sure to have shelf unit assembled before installing this door kit.**

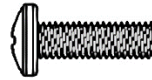



## Parts List

NO.	ITEM	PART NUMBER	DESCRIPTION	QTY.
1	 <p>*40010-10 - 42" -SHOWN *40020-10 - 32" *40040-10 - 52"</p>	40010-10 OR 40020-10 OR 40040-10	Door Panel ASM	1
2	 <p>*40010-00-001 - 42" -SHOWN *40020-00-001 - 32" *40040-00-001 - 52"</p>	40010-00-001 OR 40020-00-001 OR 40040-00-001	Locking Door Stop	1
3		18-40010	Hardware Kit	1

## Hardware (40010 and 40020)

ITEM	HARDWARE TO SCALE	PART NUMBER	DESCRIPTION	QTY.
1		0149499	10-32 X 5/8" PHILLIPS HEAD SCREW	8
2		33074	#10 FLAT WASHER	8
3		93298A109	10-32 FLANGED NYLOC NUT	8
4		-	.156 X 3/8" DIA RUBBER BUMPER	4

## Hardware (40040)

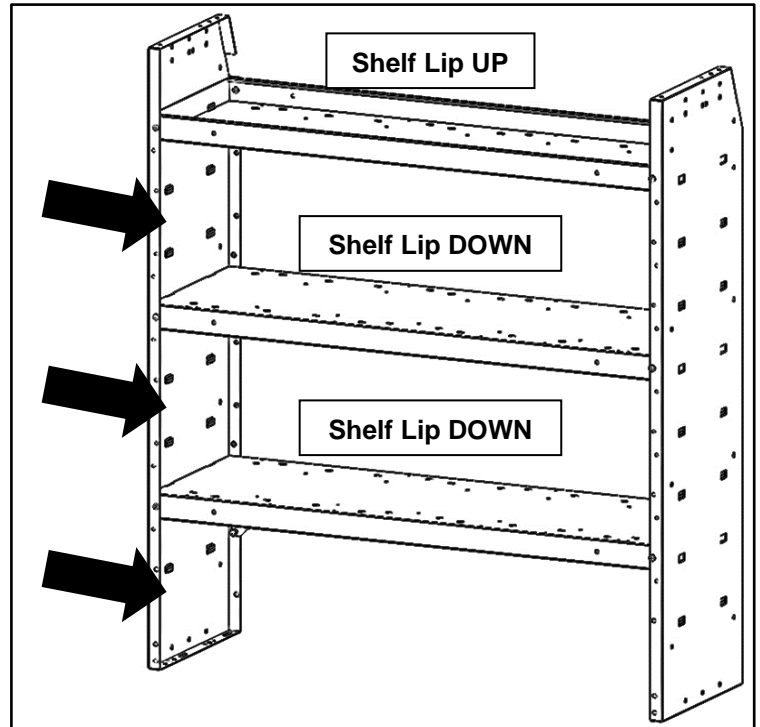
ITEM	HARDWARE TO SCALE	PART NUMBER	DESCRIPTION	QTY.
1		0149499	10-32 X 5/8" PHILLIPS HEAD SCREW	12
2		33074	#10 FLAT WASHER	12
3		93298A109	10-32 FLANGED NYLOC NUT	12
4		-	.156 X 3/8" DIA RUBBER BUMPER	4

## Step 1 – Determine Location of Door Kit

- Decide where you want the door kit to be installed. **Be sure there is the correct spacing between shelves. The shelf below the opening to be installed into must have the shelf lip/flanges facing downward.** The shelf above can be oriented either way.

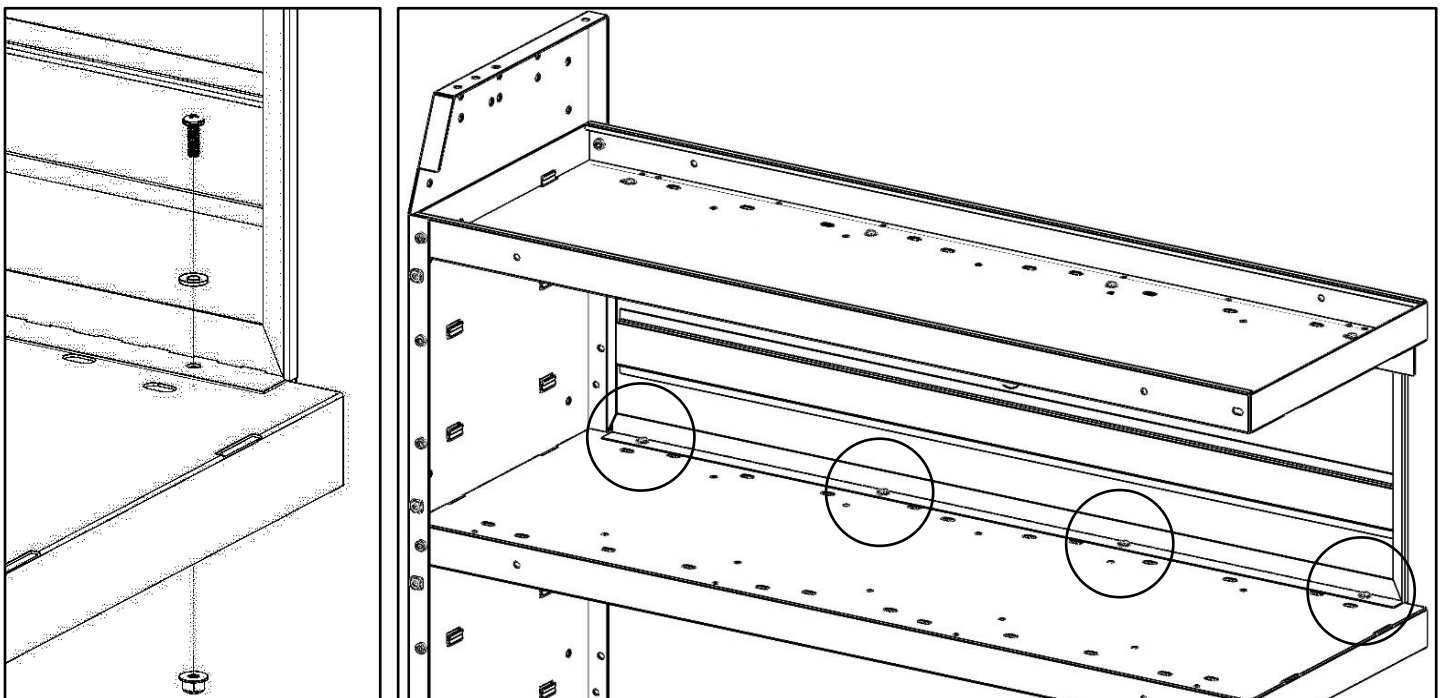
**Note: Be sure shelf is properly square to ensure proper door kit fitment.**

- Standard shelf placing and orientation shown.
- Installing the door between the floor and bottom shelf requires purchase of floor angle (48215, 48220, or 48230).
- Door must be installed at the bottom, front of the shelf unit. Install floor angle per installation instructions.



## Step 2 – Install Door

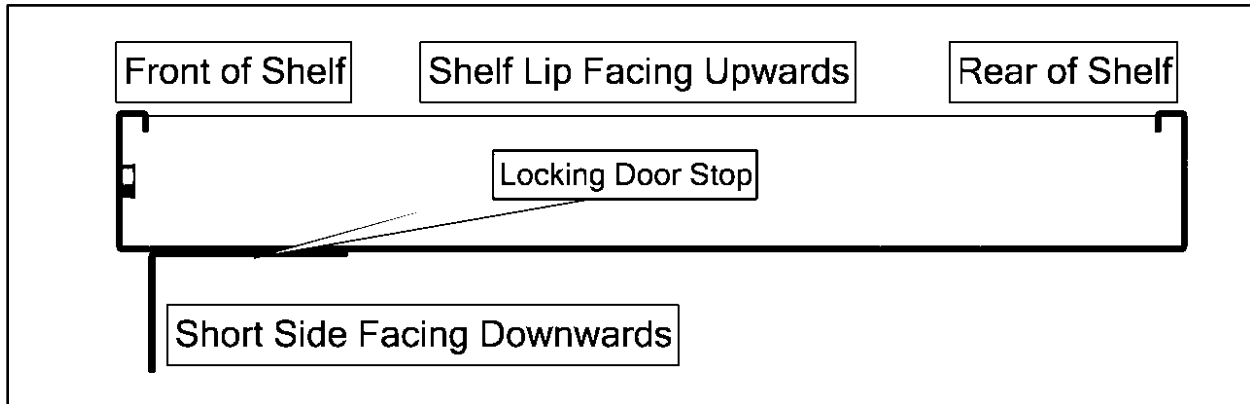
- Using a #10 x 5/8" machine screw, two #10 flat washers and a #10 flanged lock nut, bolt the door to the front edge of the shelf as shown in the images below.
- Repeat 3 more times along shelf and door kit assembly.
- Be sure when the door is closed, it sits flush with the outside of the shelf.**
- Snug tighten but allow for movement.



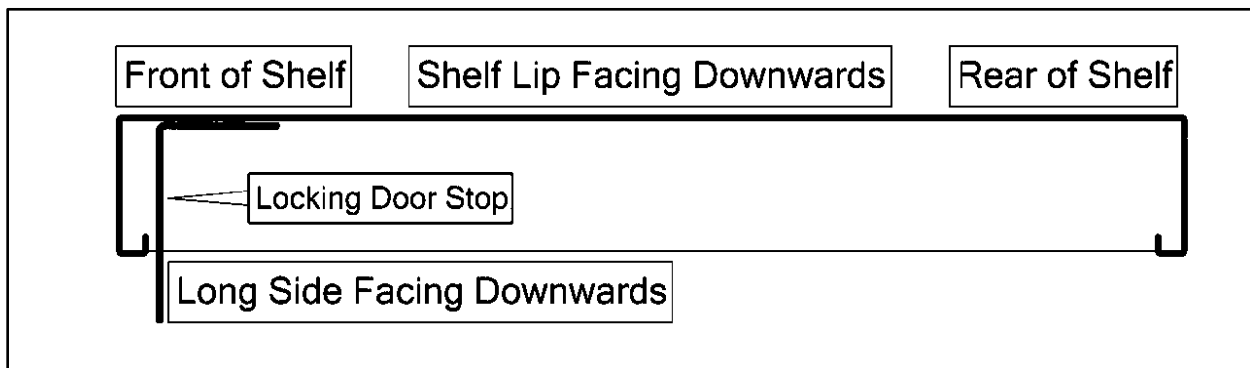
## **Step 3A – Determine Upper Shelf Orientation**

- Locate the shelf that is directly above the shelf used in the previous step.
- Determine if it is an upward or downward facing shelf lip.

### **Facing Upwards**

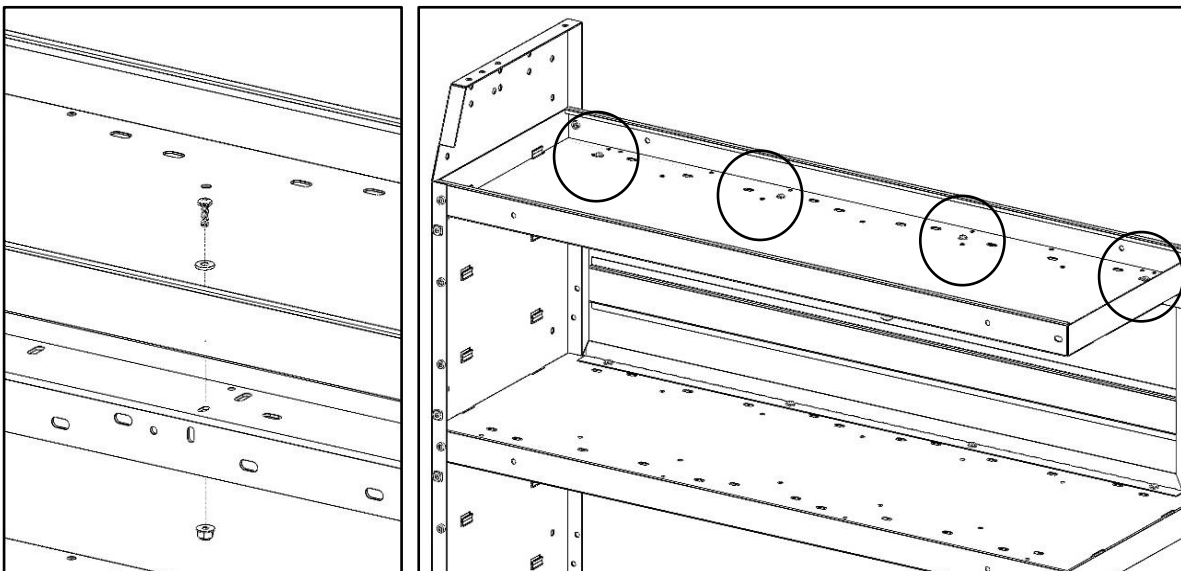


### **Facing Downwards**

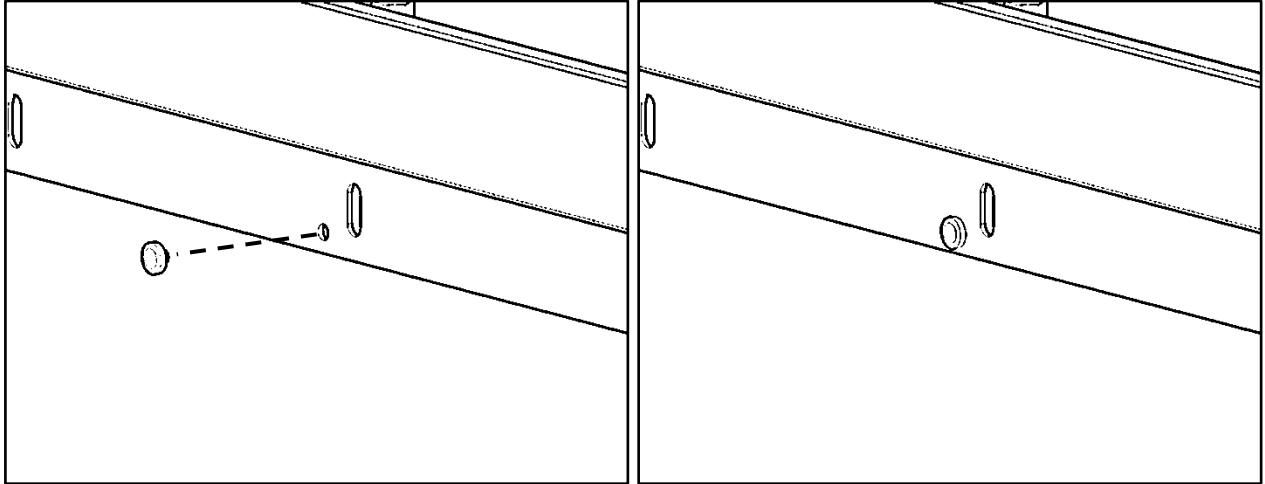


## **Step 3B – Install Door Stop**

- Bolt shelf lip using a #10 x 5/8" machine screw, two #10 flat washers and a #10 flanged lock nut.
- Repeat 5 more times along shelf and locking door stop.



- Insert rubber bumpers where they will encounter the door.



**GO BACK AND TIGHTEN ALL HARDWARE.**

**INSTALLATION IS COMPLETE.**

