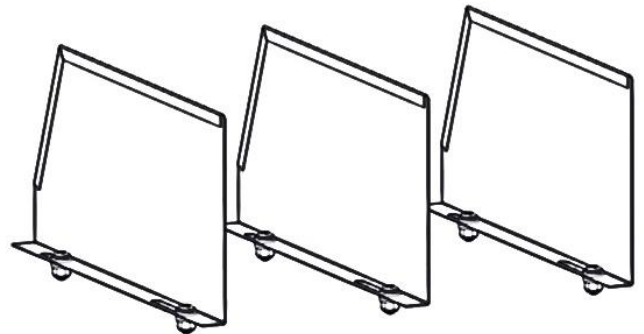
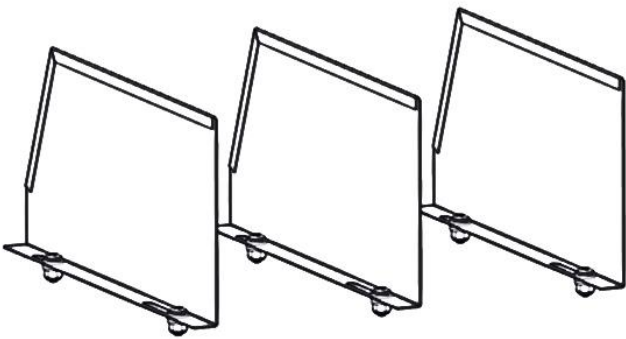


Holman

Installation Guide

40030



Holman
Rancho Cordova, CA 95742
800-343-7486

InstallationSupport@Holman.com

PLEASE READ ALL INSTRUCTIONS AND WARNINGS PRIOR TO ASSEMBLING, INSTALLING, AND USING THIS PRODUCT.

Warning



Always check for wires, fuel tanks and lines, brake lines and other important vehicle functionality items prior to drilling and installing all products.

Tools Needed

7/16" Socket and Wrench	#2 Phillips Screwdriver
1/4" Drill Bit (Optional)	Drill (Optional)

Table of Contents

Tools Needed 1

Before You Begin 1

Parts List 2

Hardware 2

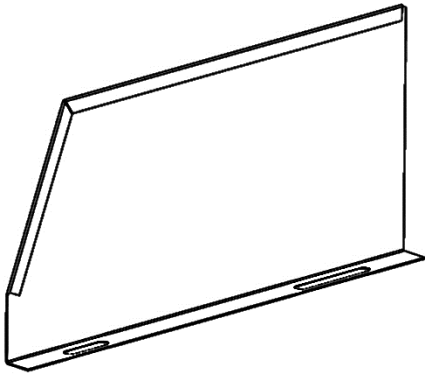
Step 1 – Find Location 3

Step 2 – Attach Dividers 3

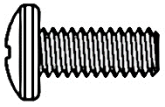
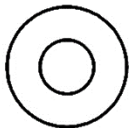

Before You Begin

- Read all instructions prior to assembling or installing any Holman product.
- **ENSURE SAFETY WHILE INSTALLING OR DRILLING INTO VEHICLE.**

Parts List

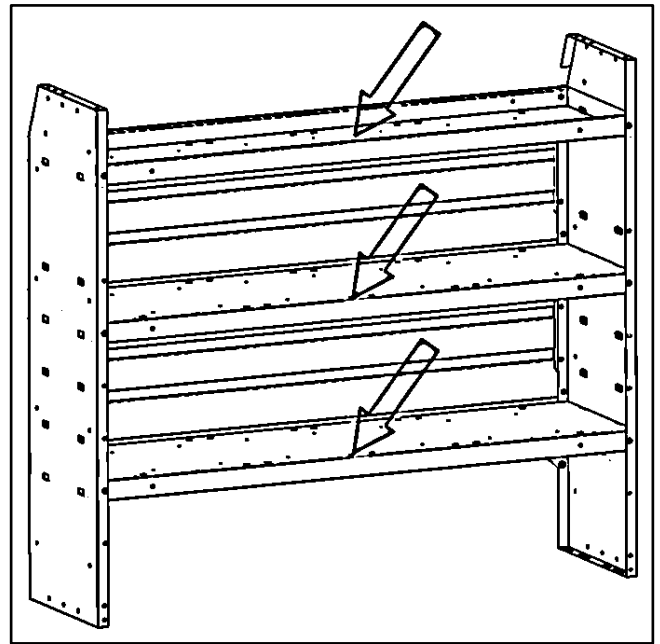
ITEM NO.		PART NUMBER	DESCRIPTION	QTY.
A		40030-00-001	Shelf Divider	6
		18-40030	Shelf Divider-Hardware	1

Hardware

ITEM NO.	TO SCALE	PART NUMBER	DESCRIPTION	QTY.
1		90272A539	1/4"-20 x 5/8" Phillips Pan Head	12
2		90126A029	1/4" Flat Washer	24
3		95615A120	1/4"-20 Nyloc	12

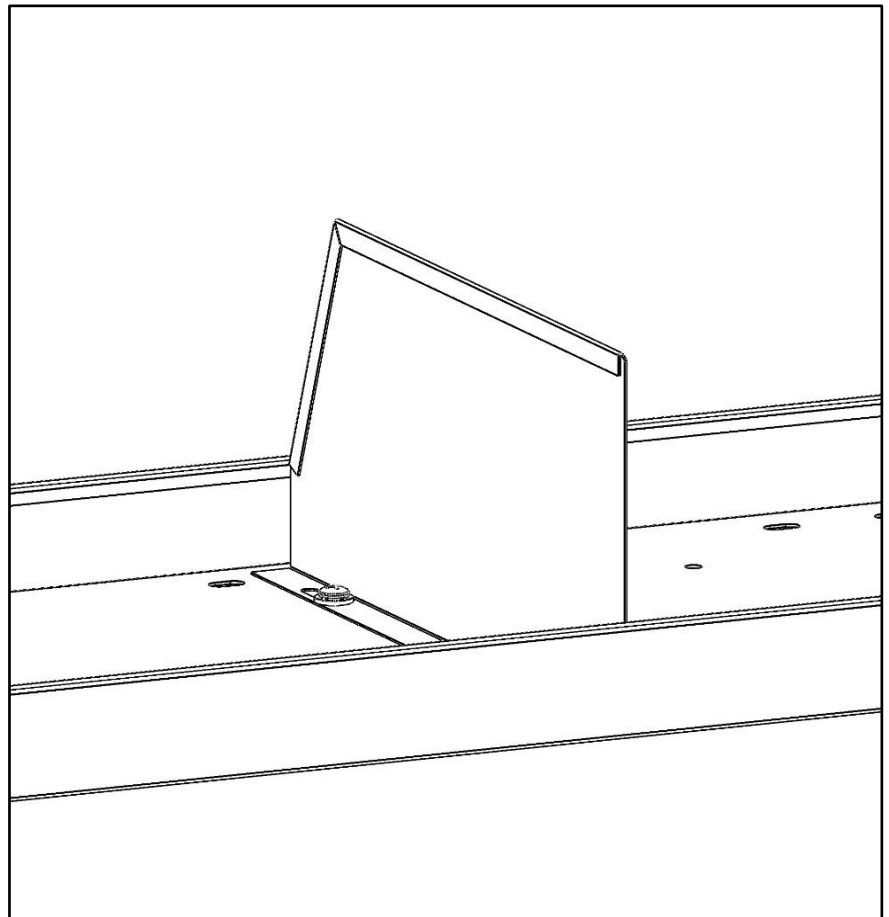
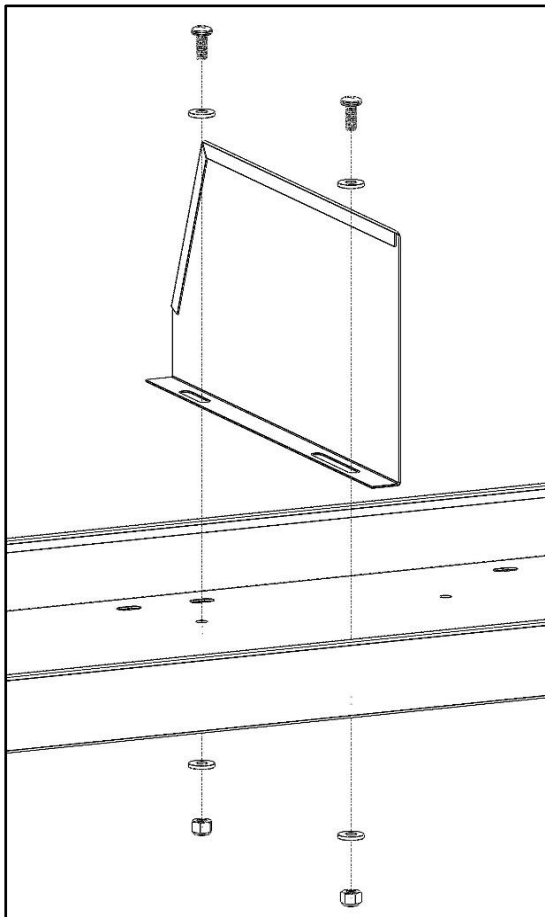
Step 1 – Find Location

- Find desired location for shelf divider to be installed.
- Holes can be found along the shelf of most Holman shelf units that may be used for this installation. If there are no holes that line up, you may mark hole locations and drill with 1/4" drill bit.

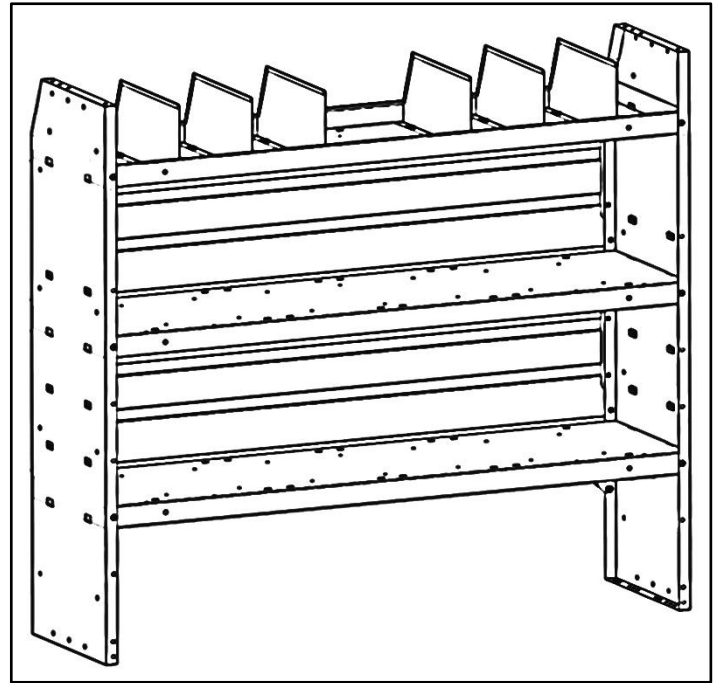
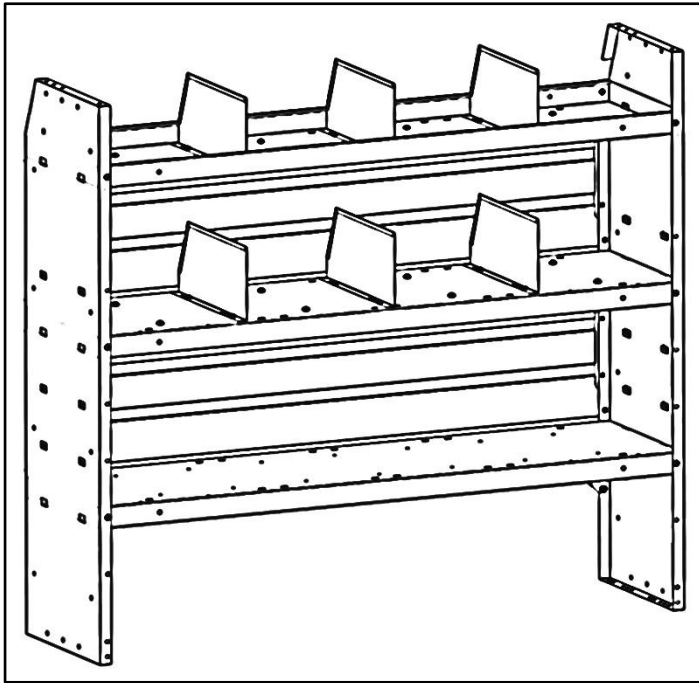


Step 2 – Attach Dividers

- Using a 1/4" x 5/8" pan head screw, two 5/16" flat washers, and a 1/4" lock nut, mount divider to shelf. **Be sure to have the angle cut towards the rear of the shelf as shown.**
- Repeat for the rest of the dividers.



NOTE: Shelf dividers may be position in any orientation as desired. Some examples are shown below.



GO BACK AND TIGHTEN ALL HARDWARE.

INSTALLATION IS COMPLETE.