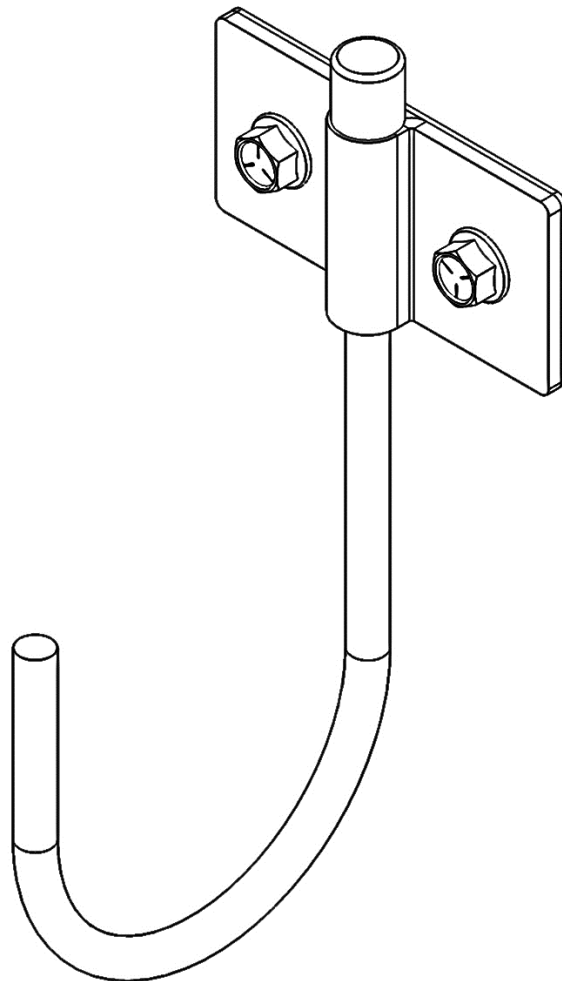


# Holman

---

## Instruction Guide 40051

---



---

Holman  
Rancho Cordova, CA 95742  
800-343-7486  
[InstallationSupport@Holman.com](mailto:InstallationSupport@Holman.com)

---

---

## PLEASE READ ALL INSTRUCTIONS AND WARNINGS PRIOR TO ASSEMBLING, INSTALLING, AND USING THIS PRODUCT.

---

### Warning



Always check for wires, fuel tanks and lines, brake lines and other important vehicle functionality items prior to drilling and installing all products.

---

### Tools Needed

1/2" Socket and Wrench	5/16" Drill Bit
------------------------	-----------------

---

### Table of Contents

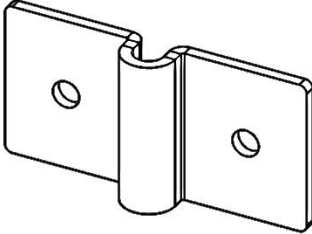
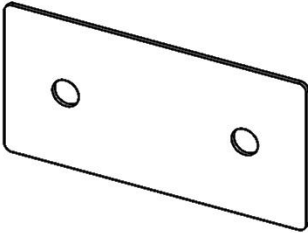
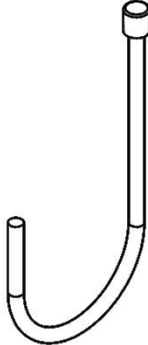
Parts List .....	2
Assembly Hardware .....	3
Step 1 – Remove Ladder Stops .....	4
Step 2 – Mount Side Tube .....	5
Step 3 – Mount Clamp Tube .....	6-7
Step 4 – Mount Handle .....	8
Step 5 – Mount Latch Assembly .....	8
Step 6 – Mount Ladder Hook .....	9

---

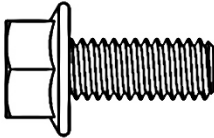

### Before You Begin

- Read all instructions.
- **BE SURE TO ENSURE SAFETY PRIOR TO DRILLING**
- This can be mounted to any sheet metal part.

## Parts

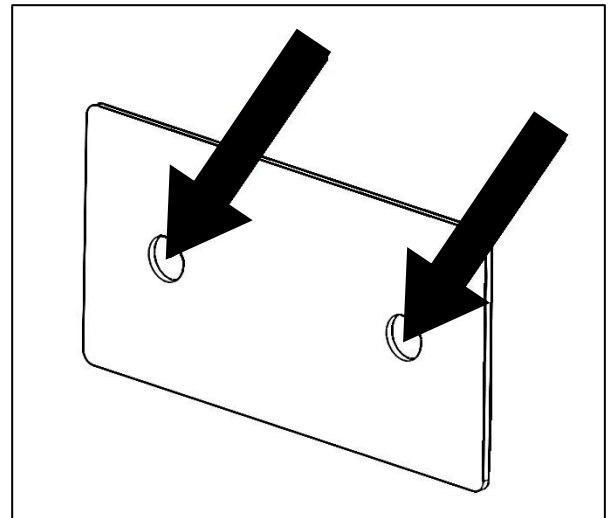
ITEM NO.		PART NUMBER	DESCRIPTION	QTY.
A		40051-00-001	Swivel Mount Cap	1
B		40051-00-002	Swivel Mount Base	1
C		40051-10	Hook ASM	1
		18-40051	Single Swivel Hardware	1

## Assembly Hardware (18-40051)

ITEM NO.	TO SCALE	PART NUMBER	DESCRIPTION	QTY.
1		92979A249	5/16-18 Flange Head Bolt	2
2		93298A120	5/16-18 Flange Nyloc Nut	2

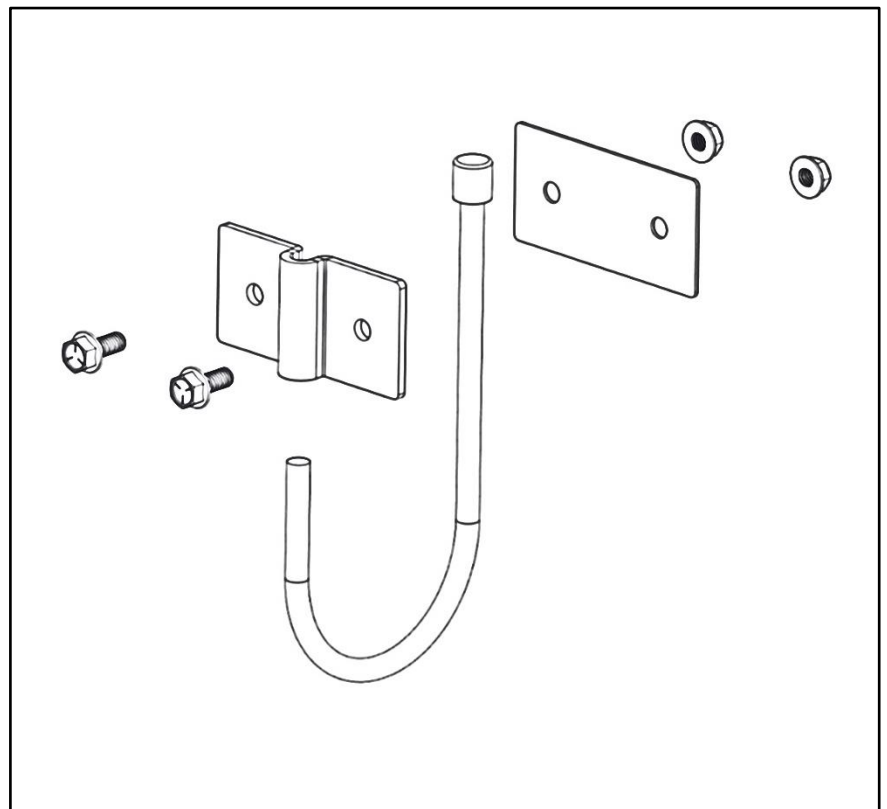
## **Step 1 – Find Location for Swivel Hook**

- Place mount base in desire location.
- Mark through both holes. Remove mount base and drill with 5/16" drill.



## **Step 2 – Install Hook**

- Place mount base over previously drilled holes.
- Place swivel hook on top of mount base.
- Clamp swivel hook in place using mount cap.
- Bolt together using 5/16" x 3/4" flanged hex head and 5/16" flanged lock nut.



**GO BACK AND TIGHTEN ALL HARDWARE.**

**INSTALLATION IS COMPLETE.**