

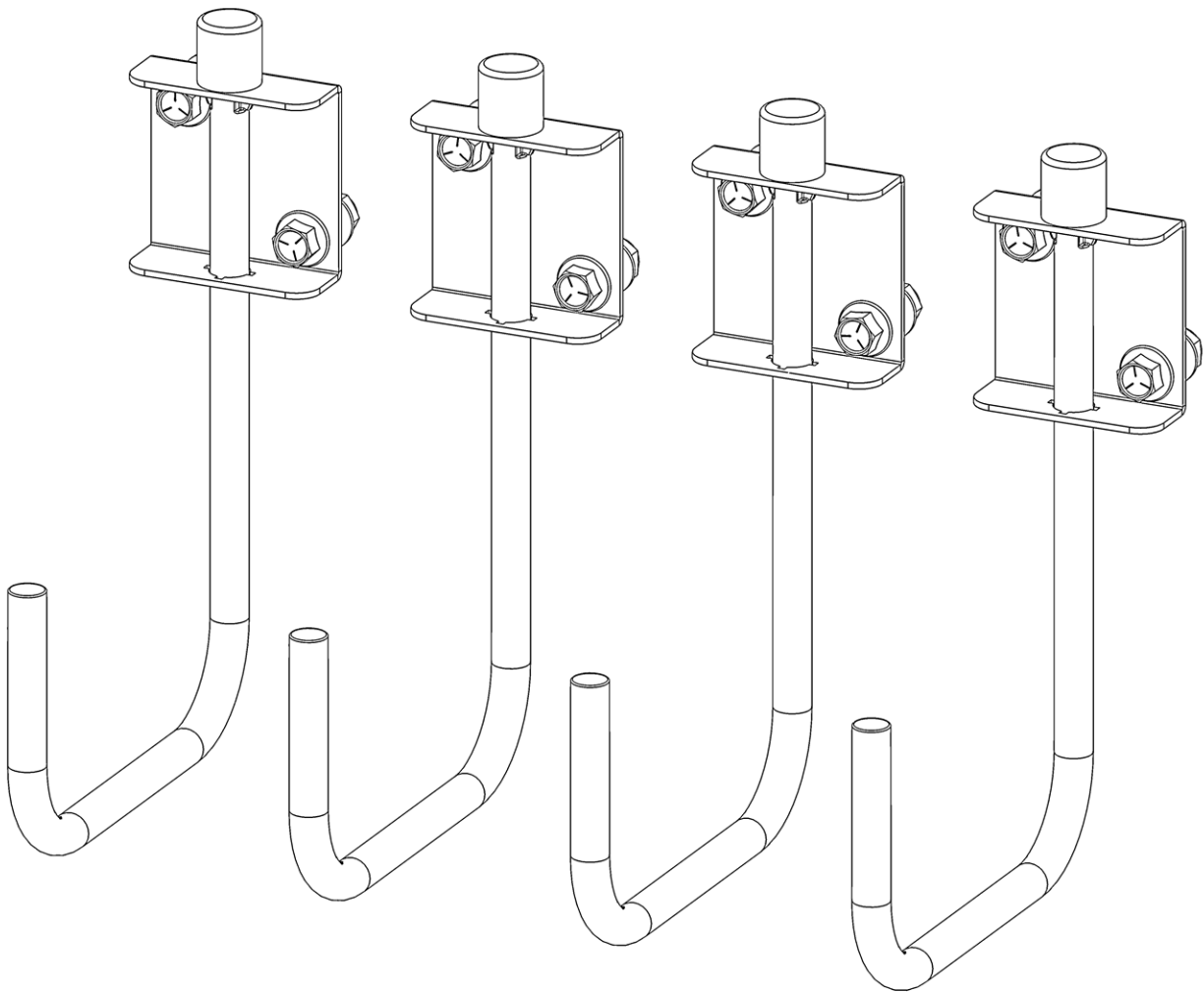
# Holman

---

## Instruction Guide

### 40053

---



---

Holman  
Rancho Cordova, CA 95742  
800-343-7486  
InstallationSupport@Holman.com

**PLEASE READ ALL INSTRUCTIONS AND WARNINGS PRIOR TO ASSEMBLING, INSTALLING, AND USING THIS PRODUCT.**

## Warning



**Always check for wires, fuel tanks and lines, brake lines and other important vehicle functionality items prior to drilling and installing all products.**

## Tools Needed

3/8" Socket and Wrench	17/64" Drill Bit
Drill	

## Table of Contents

Before You Begin .....	1
Parts List .....	1
Hardware .....	2
Installation .....	2

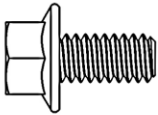

## Before You Begin

- Read all instructions prior to installing any Holman product.

## Parts List

ITEM NO.	ITEM	PART NUMBER	DESCRIPTION	QTY
1		100717	LOCKING SWIVEL HOOK	4
2		18-40053	40053 HARDWARE KIT	1

## Hardware

ITEM	HARDWARE TO SCALE	PART NUMBER	DESCRIPTION	QTY.
1		11126952	1/4"-20 X 1/2" FLANGED HEX HEAD	8
2		0167030	1/4"-20 FLANGED LOCK NUT	8

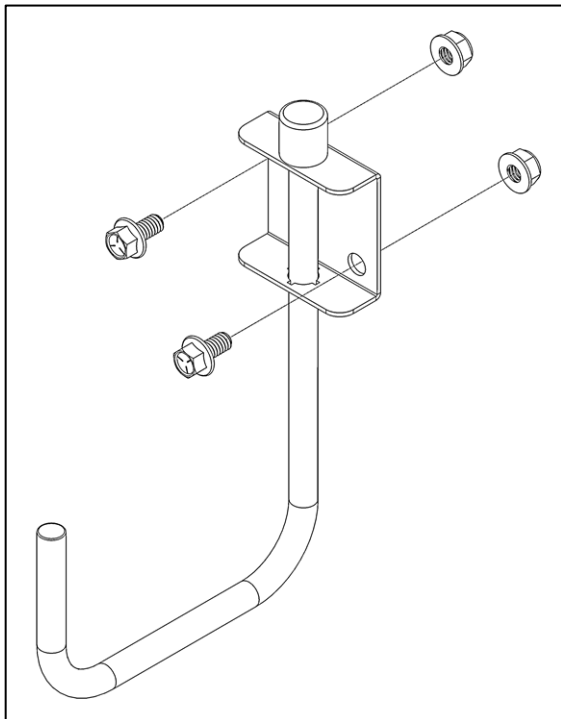
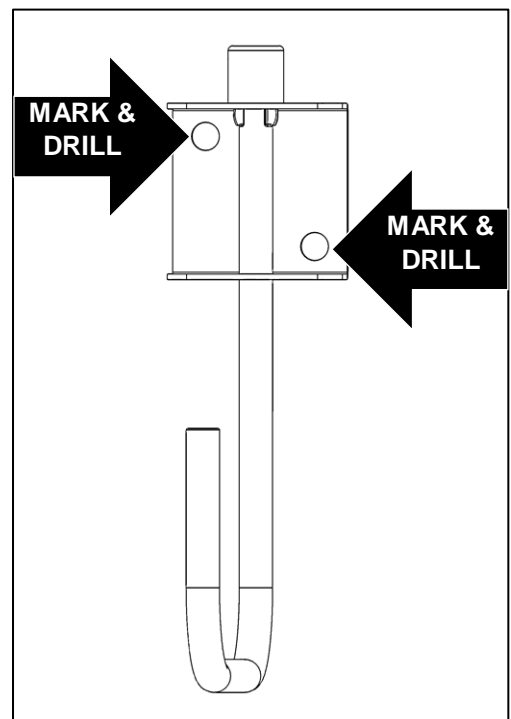
## Installation

- Determine swivel hook installation location.
- Mark through the holes in hook base plate onto mounting surface.



**Always check that each installation location is clear of wires, fuel tanks and lines, brake lines and other important vehicle functionality items prior to drilling and installing any product.**

- At each marked location, drill a hole using 17/64" drill bit.
- Using two 1/4" x 1/2" flanged hex head bolts and two 1/4" flanged lock nuts, securely install locking swivel hook.
- Repeat installation instructions for each hook.



**GO BACK AND ENSURE ALL HARDWARE IS TIGHTENED.**

**INSTALLATION IS COMPLETE.**