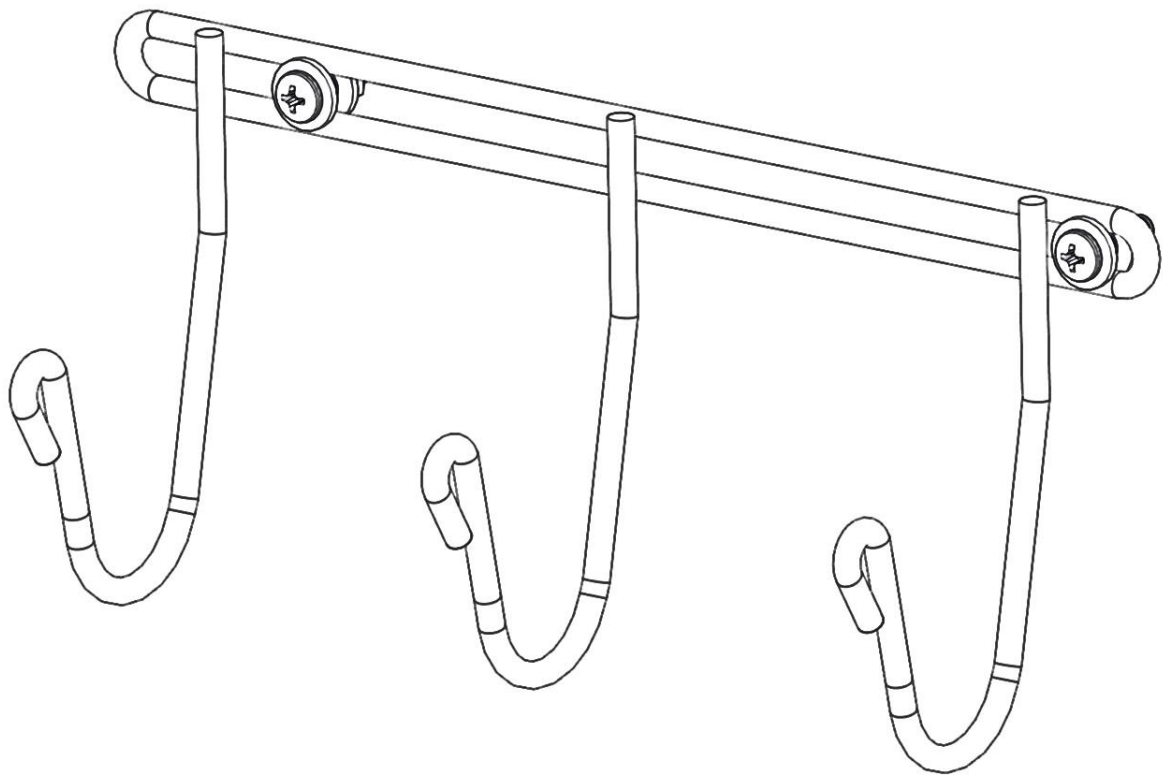


Holman

Installation Guide

40060



Holman
Rancho Cordova, CA 95742
800-343-7486

InstallationSupport@Holman.com

PLEASE READ ALL INSTRUCTIONS AND WARNINGS PRIOR TO ASSEMBLING, INSTALLING, AND USING THIS PRODUCT.

Warning



Always check for wires, fuel tanks and lines, brake lines and other important vehicle functionality items prior to drilling and installing all products.

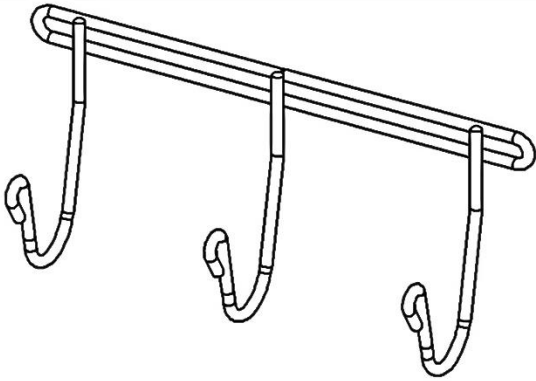
Tools Needed

7/16" Socket and Wrench	#2 Phillips Screwdriver
1/4" Drill Bit	Drill

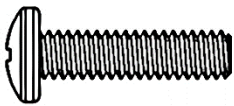

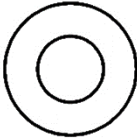



Table of Contents

Parts List	1
Hardware.....	1
Step 1 – Find Location	2
Step 2 – Install J-Hook	2

Parts List

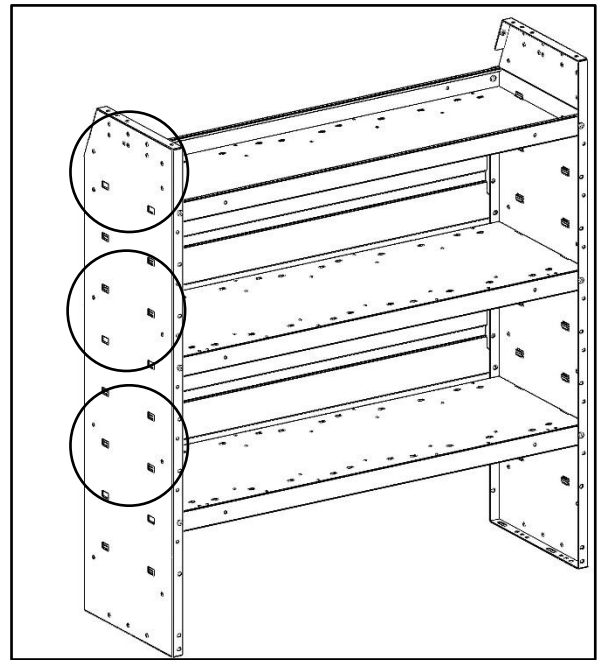
NO.	ITEM	PART NUMBER	DESCRIPTION	QTY.
1		40060-10	J-Hook ASM	1
2		18-40060	J-Hook Hardware	1

Hardware

ITEM NO.	TO SCALE	PART NUMBER	DESCRIPTION	QTY.
1	 	90272A542	1/4"-20 x 1.0" Phillips Pan Head	2
2	 	90126A030	5/16" Flat Washer	4
3	 	95615A120	1/4"-20 Nyloc	2

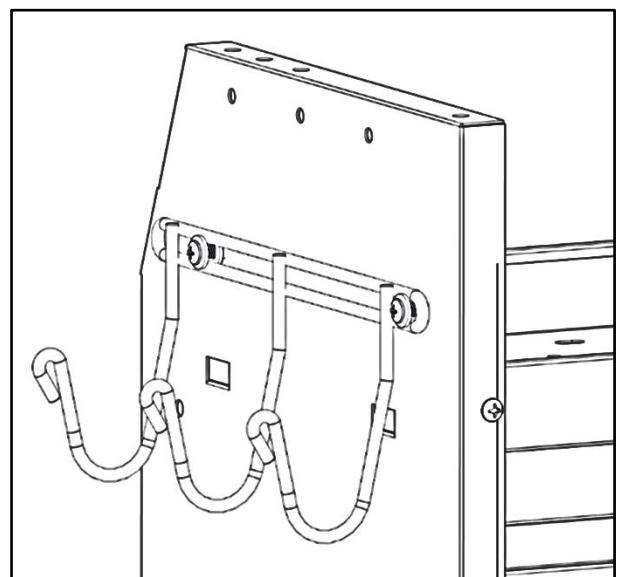
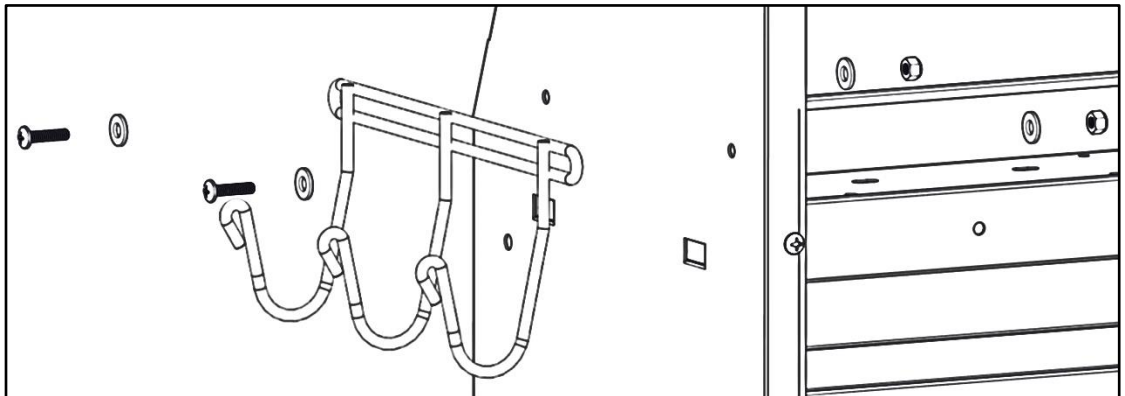
Step 1 – Find Location

- Find desired location for J-Hook to be installed.
- Pre-drilled holes can be found along the side of most Holman shelf units.
- If mounting to a product other than a shelf, locate, mark, and drill two 1/4" holes at desired installation location.



Step 2 – Install J-Hook

- Using 1/4" x 5/8" round head screws, 5/16" flat washers and 1/4" lock nuts, bolt the hook to the installation surface.



**GO BACK AND TIGHTEN ALL
HARDWARE.**

INSTALLATION IS COMPLETE.