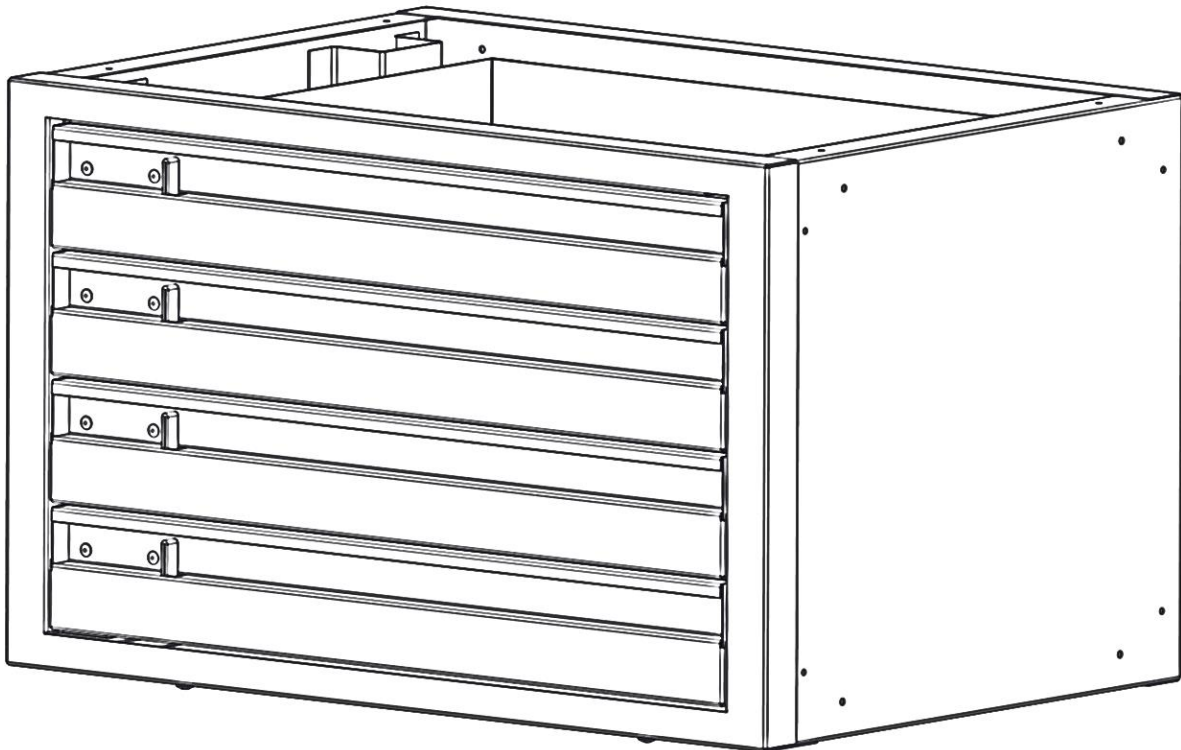


Holman

Installation Guide 40070-40080-40090



Holman
Rancho Cordova, CA 95742
800-343-7486

InstallationSupport@Holman.com

PLEASE READ ALL INSTRUCTIONS AND WARNINGS PRIOR TO ASSEMBLING, INSTALLING, AND USING THIS PRODUCT.

Warning



Always check for wires, fuel tanks and lines, brake lines and other important vehicle functionality items prior to drilling and installing all products.

Tools Needed

Phillips Driver	5/16" Drill Bit (optional)
Drill (optional)	

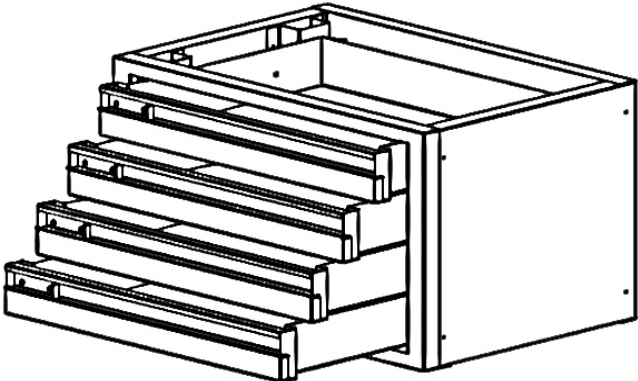
Table of Contents

Parts List 1
 Hardware List 2
 Step 1 – Find Location 2
 Step 2 – Attach 2

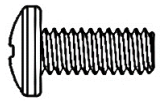
Before You Begin

- Read all instructions.
- **ENSURE SAFETY PRIOR TO DRILLING.**
- Instructions are shown using a 2-drawer unit (40070). All instructions are the same for 40070, 40080 and 40090.

Parts

NO.	ITEM	PART NUMBER	DESCRIPTION	QTY.
1	 <p>*40070 - 2 DRAWER CABINET *40080 - 3 DRAWER CABINET *40090 - SHOWN HERE</p>	40070-10	2 DRAWER CABINET	1
		40080-10	3 DRAWER CABINET	
		40090-10	4 DRAWER CABINET	
2		18-00735	DRAWER CABINET HARDWARE	1

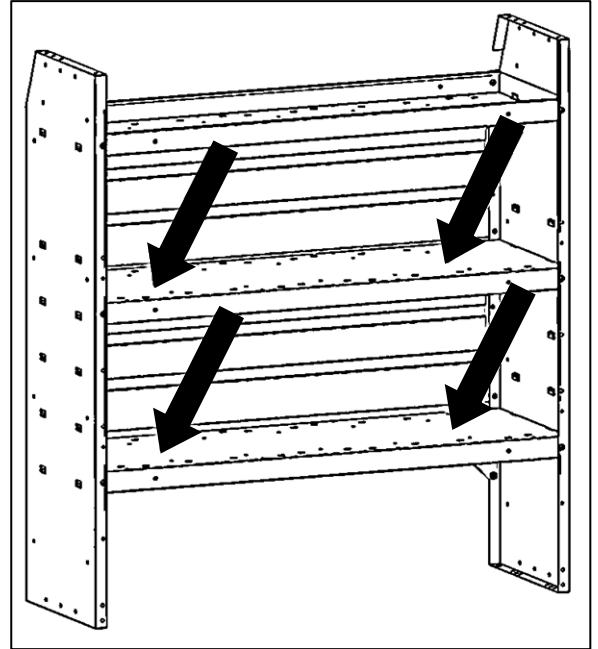
Hardware

ITEM	HARDWARE TO SCALE	PART NUMBER	DESCRIPTION	QTY.
1		96562A537	1/2" THREAD-LOCKING PAN HEAD PHILLIPS SCREWS	4

Note: The following instructions show Installation of 40070 2-drawer unit. The installation is the same for the 3-drawer and 4-drawer units.

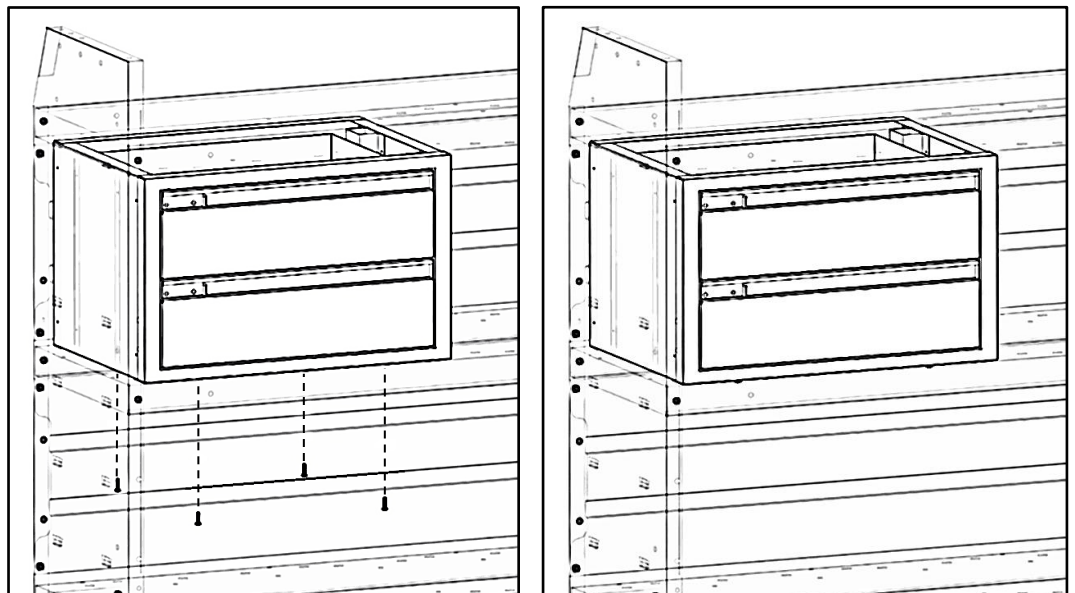
Step 1 – Find Location

- Find desired location for drawer unit to be installed.
- For easy no-drill installation, slots have been provided in most Holman shelves that correspond to holes in the bottom of the drawer unit.
- If the slots provided do not line up with holes in the bottom of the drawer unit, mark desired location and drill with a 5/16" bit.

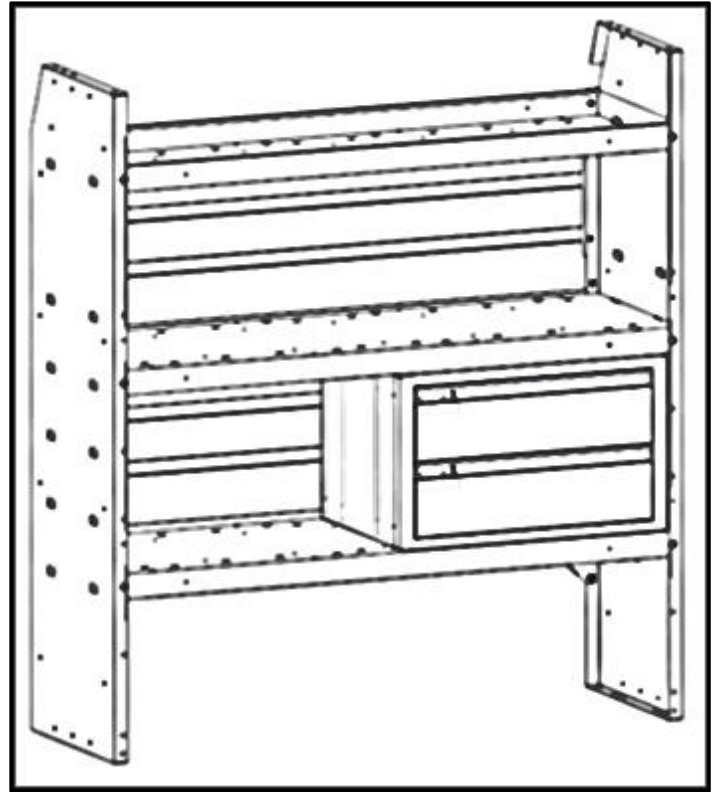
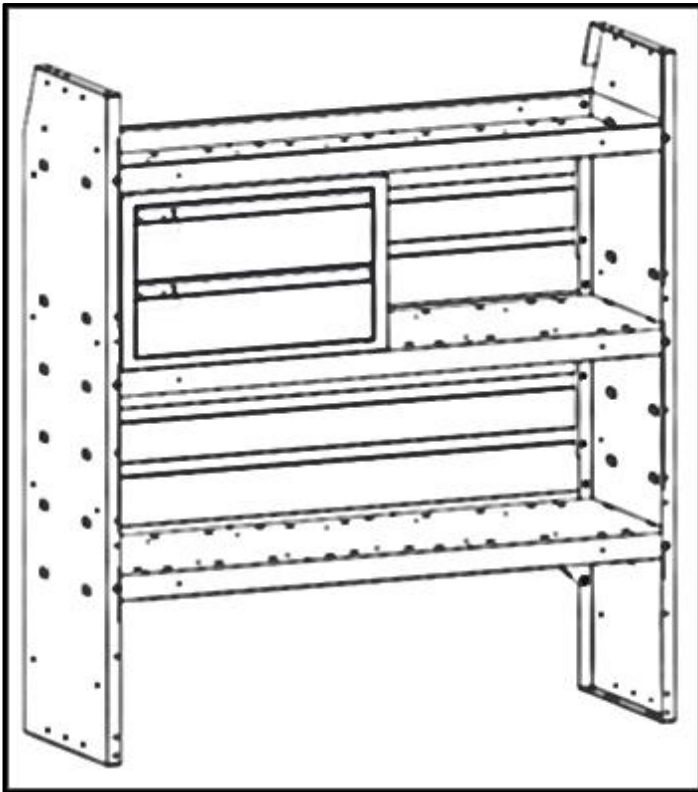


Step 2 – Attach

Bolt drawer unit to shelf using 1/4 x 1/2" round head bolts.



Drawer units may be installed in a variety of different locations. Some examples are shown below.



GO BACK AND TIGHTEN ALL HARDWARE.

INSTALLATION AND ASSEMBLY ARE COMPLETE.