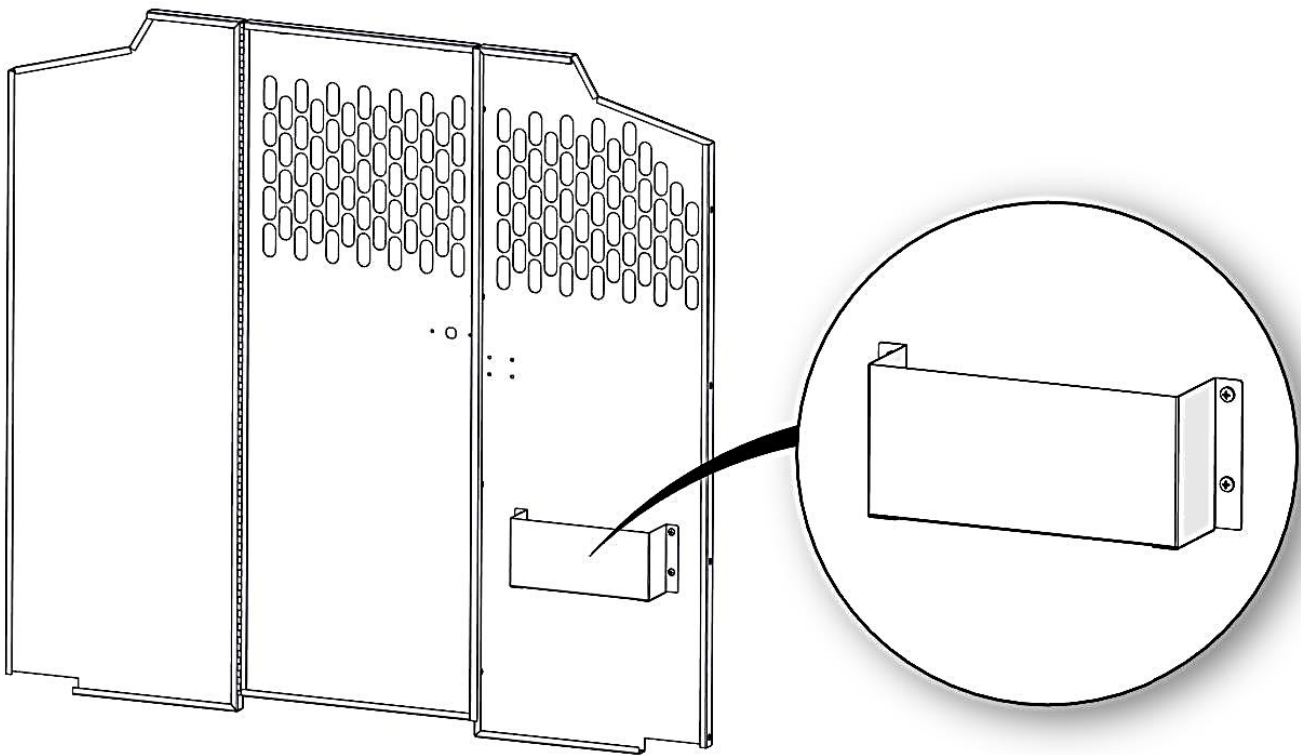


# Holman

---

## Instruction Guide 40110

---



---

Holman  
Rancho Cordova, CA 95742  
800-343-7486  
InstallationSupport@Holman.com

---

---

**PLEASE READ ALL INSTRUCTIONS AND WARNINGS PRIOR TO ASSEMBLING, INSTALLING, AND USING THIS PRODUCT.**

---

**Warning**



**Always check for wires, fuel tanks and lines, brake lines and other important vehicle functionality items prior to drilling and installing all products.**

---

**Table of Contents**

Parts List.....2  
Hardware .....2  
Step 1 – Find Installation Location.....2  
Step 2 – Attach First-Aid Kit Holder .....3

---

**Tools Needed**

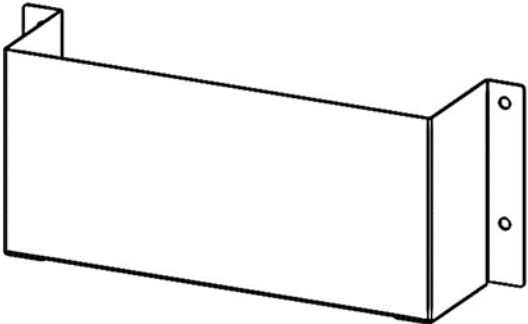
7/16" Socket and Wrench	7/16", 9/16" Box Wrench
1/4" Drill Bit	Drill

---

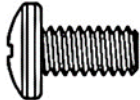

**Before You Begin**

- Read all instructions prior to assembling or installing any Holman product.
- **Always locate your installation locations prior to performing any work.**
- **ENSURE SAFETY WHILE INSTALLING OR DRILLING INTO VEHICLE.**
- **Product can be installed on virtually any sheet metal product. Make use of the first-aid kit holder on shelves, partitions, lockers and much more.**

## Parts List

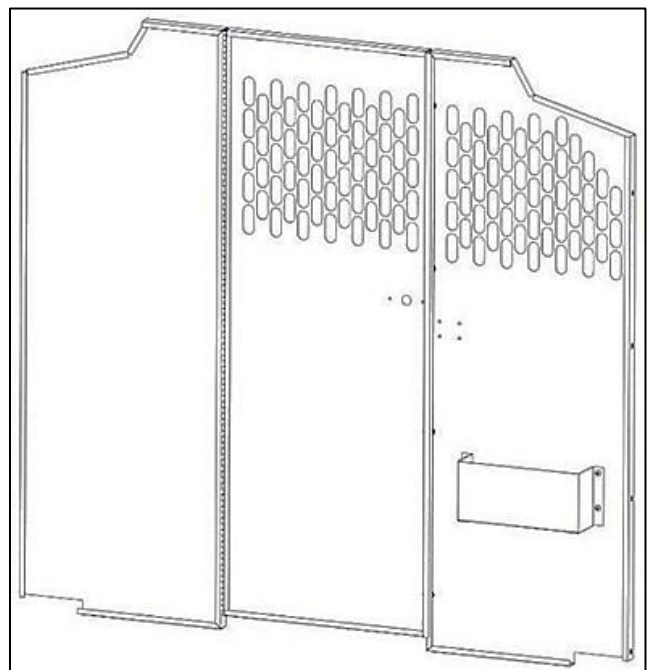
ITEM NO.		PART NUMBER	DESCRIPTION	QTY.
A		40110-00-001	First Aid Holder Part	1
		18-40110	First Aid Holder-Hardware	1

## Hardware

ITEM NO.	TO SCALE	PART NUMBER	BOM	QTY.
1		90272A537	1/4"-20 x 1/2" Phillips Pan Head Screw	4
2		93298A110	1/4"-20 Flanged Nyloc	4

## Step 1 – Find Installation Location

- Find desired location for first aid holder to be installed.
- Place first aid holder in desired location. Be sure first aid holder is square and to your liking.
- Mark locations of holes in first-aid kit holder onto installation surface.



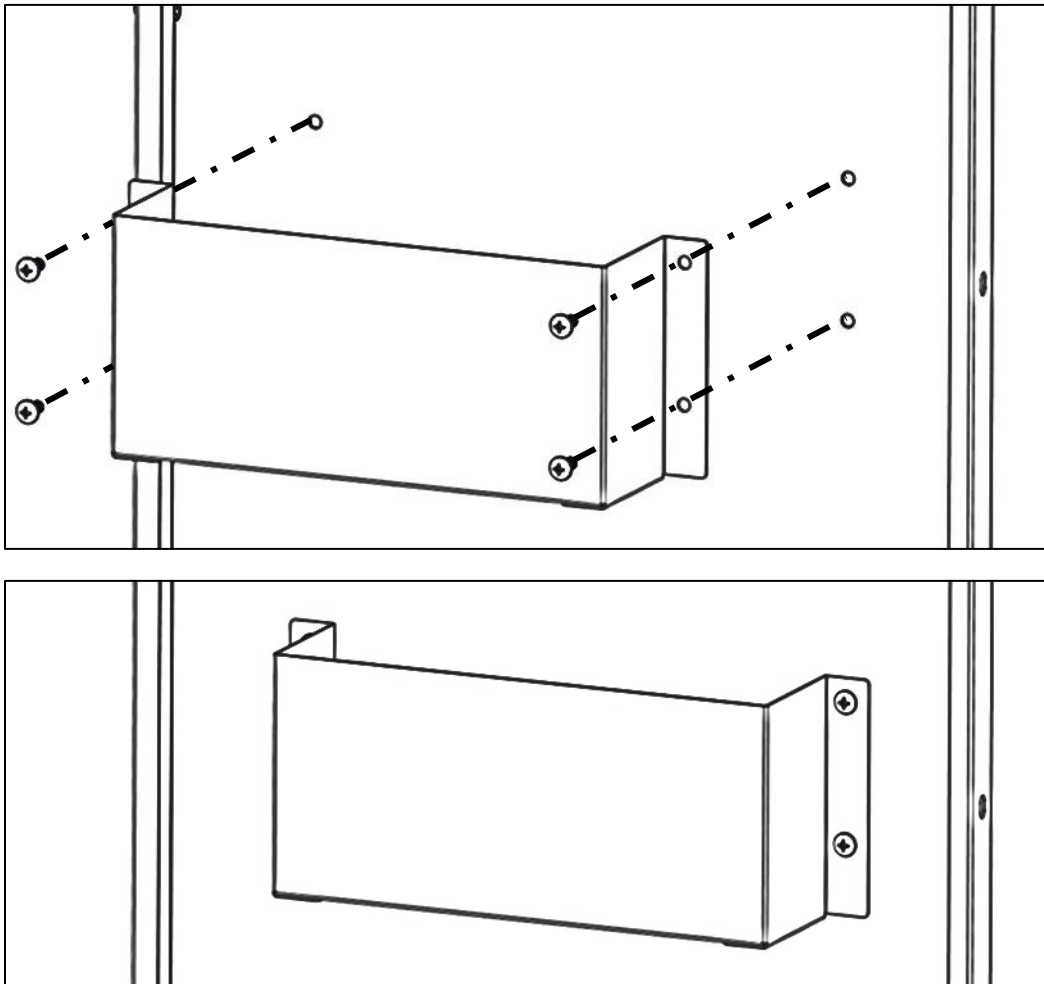
## Step 2 – Attach First-Aid Kit Holder

- Using a 1/4" drill bit, drill a hole in installation surface at each marked location.



**Always check for wires, fuel tanks and lines, brake lines and other important vehicle functionality items prior to drilling and installing all products. We recommend using a drill bit stop collar to avoid drilling beyond depth of installation surface.**

- Using four 1/4"-20 x 1/2" pan head screws and four 1/4" lock nuts, bolt the first-aid kit holder to the installation surface.
- Tighten hardware.



**GO BACK AND TIGHTEN ALL HARDWARE.**

**INSTALLATION IS COMPLETE.**