

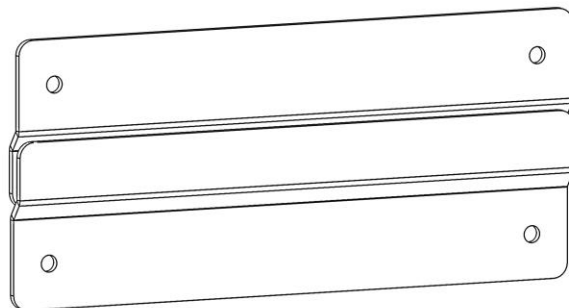
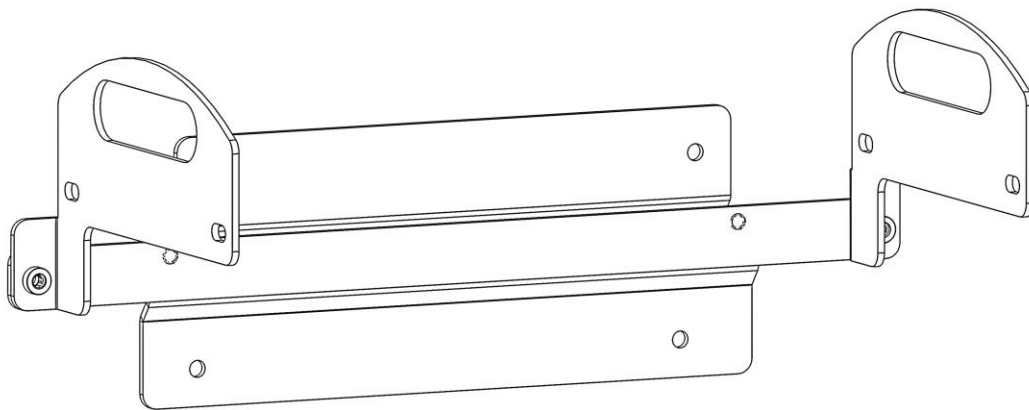
# Holman

---

## Installation Guide

### 40117

---



---

Holman  
Rancho Cordova, CA 95742  
800-343-7486  
InstallationSupport@holman.com

---

**PLEASE READ ALL INSTRUCTIONS AND WARNINGS PRIOR TO ASSEMBLING, INSTALLING, AND USING THIS PRODUCT.**

## Warning



**Always check for wires, fuel tanks and lines, brake lines and other important vehicle functionality items prior to drilling and installing all products.**

## Tools Needed

3/8", 7/16" Sockets and Wrench	1/2", 9/16" Box Wrenches
Phillips Head Screw Driver	17/64", 25/64" Drill Bits
Drill	Drill Bit Stop Collar
Plus Nut Installation Tool (P9902)	

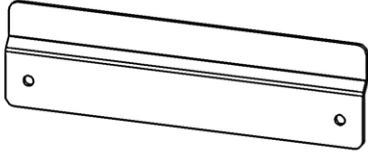
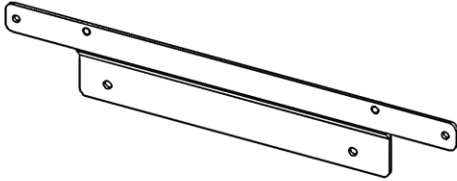
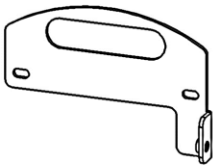
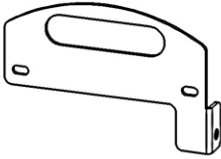
## Table of Contents

Parts List .....	2
Hardware .....	2
Step 1 – Determine Installation Location .....	3
Step 2 – Installation Location Preparation .....	4
Step 3 – Installation .....	4
Step 3A – Bolt-through Installation .....	4
Step 3B – Plus Nut Installation .....	5
Step 4 – Install Zee Brackets to Rear .....	6
Step 5 – Install Bucket Hook .....	6
Step 6 – Install Paper Towel Holder .....	7
Step 7 – Install Soap Trays .....	7
Step 8 – Carboy .....	8
Step 9 – Install Lid Supports and Grab Handles .....	8
Step 10 – Install Lid .....	9

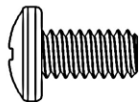

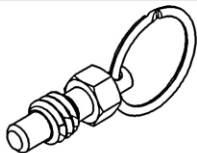
## Before You Begin

- Read all instructions prior to assembling or installing any Kargo Master product.
- **Always locate your installation locations prior to performing any work.**
- **Have 40116 Sanitation Station purchased but unassembled prior to installation.**

### Parts List

ITEM NO.	ITEM	PART NUMBER	DESCRIPTION	QTY.
1		100877	ZEE BRACKET	3
2		100878	ZEE BRACKET STOP ASM	1
3		100885	RIGHT HANDLE ASM	1
4		100886	LEFT HANDLE ASM	1
5		18-40117	40117 HARDWARE KIT	1

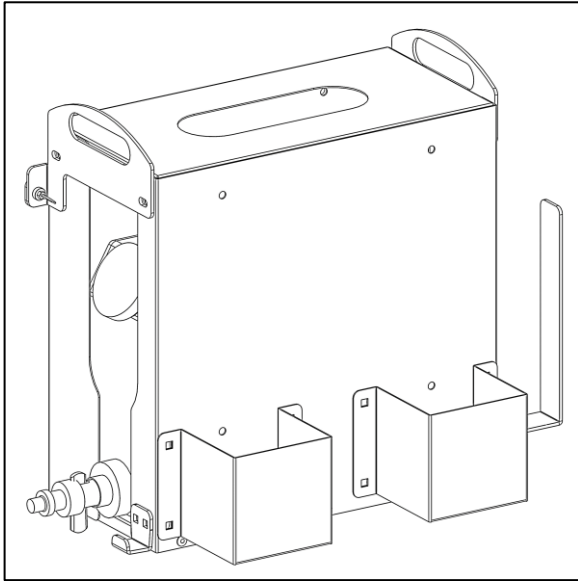
### Hardware

ITEM	HARDWARE TO SCALE	PART NUMBER	DESCRIPTION	QTY.
1		72586	1/4"-20 X 1/2" PHILLIPS PAN HEAD SCREW	4
2		0167030	1/4"-20 FLANGED LOCK NUT	4
3			1/4"-20 STEEL RETRACTABLE SPRING PLUNGER WITH PULL RING	1

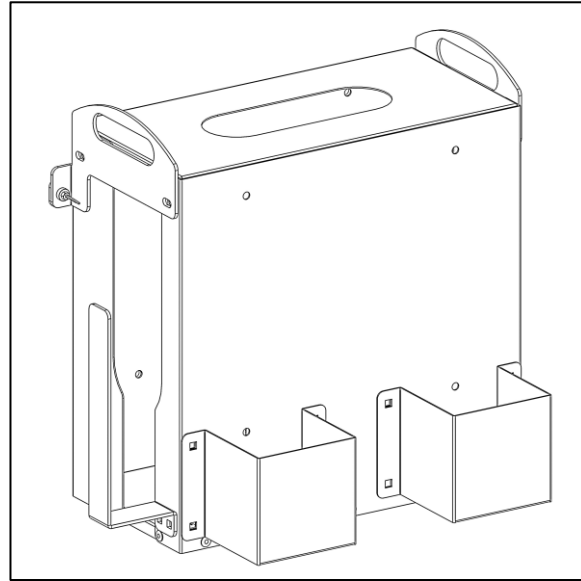
### **Step 1 – Determine Installation Location**

- The sanitation station with quick release mounting can be configured into several configurations. Each configuration has different clearance requirements. Use the following configuration suggestions to help determine the desired installation location.

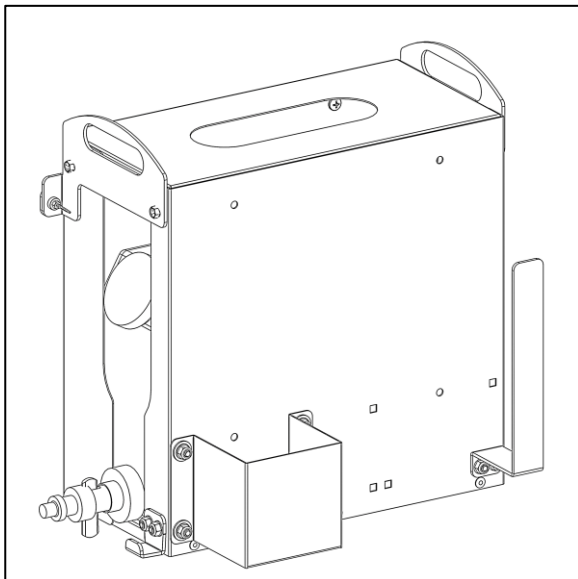
**NOTE: If mounting the sanitation station to the top of a shelf or on a horizontal surface, refer to the 40116 sanitation station instructions for installation.**



***DRIVER'S SIDE REAR DOOR AND PARTITION INSTALLATION***



***PASSENGER SIDE REAR DOOR AND PARTITION INSTALLATION***



***SHELF SIDE PANEL INSTALLATION***

## Step 2 – Installation Location Preparation

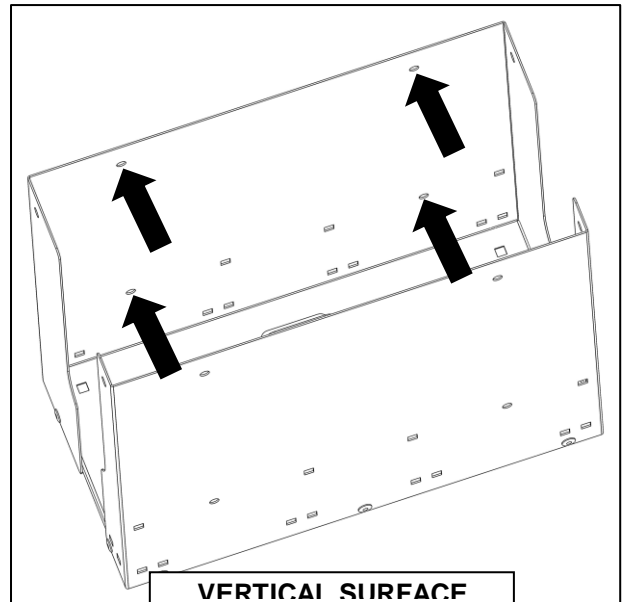
**NOTE:** To install the quick removal mounting brackets, the sanitation station panel assembly must be used as a template. If you have already installed the sanitation station and are adding the quick release mounting kit, apply the mounting kit to same mounting holes or plus nuts used in the original sanitation station installation.

- Hold sanitation station against installation surface.
- Make sure proper clearances for paper towel roll and bucket.
- Mark each hole as indicated below.



**Installing the mounting brackets requires holes be drilled through the installation surface, so make sure the following clearances and warnings are met.**

- Be sure there is proper clearance behind the installation surface for plus nuts to be installed.
- Be sure there is no electrical wiring, brake lines, or fuel lines or tank fill behind locations marked.

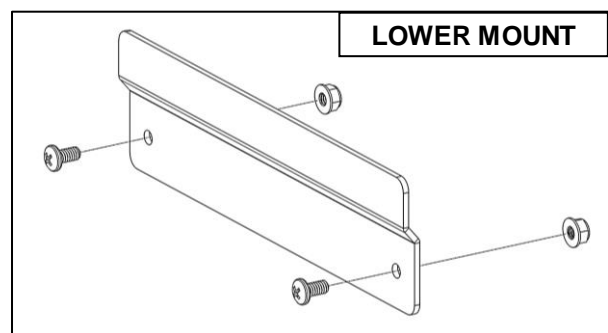
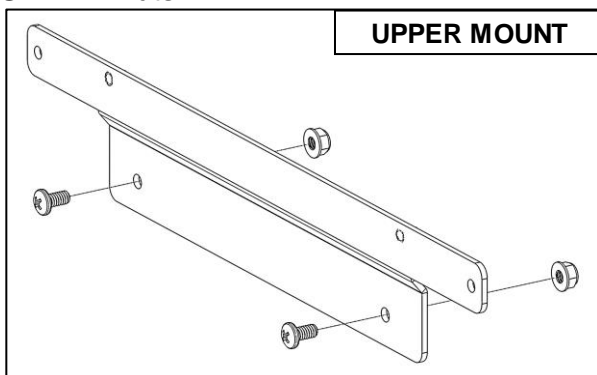


## Step 3 – Installation

- If mounting to a partition or side of a shelf, and the rear of the installation surface is accessible, it is recommended to use the bolt through Step 3A Bolt-Through Installation instructions.
- If mounting to a rear door or interior wall location, it is recommended to use Step 3B Plus Nut Installation instructions.

### Step 3A – Bolt-through Installation

- Using a 17/64" drill bit, drill through mounting surface at marked locations.
- Using four 1/4" x 1/2" pan head screws and four 1/4" flanged lock nuts, install zee bracket stop and a zee bracket to the mounting surface.
- TIGHTEN nuts.

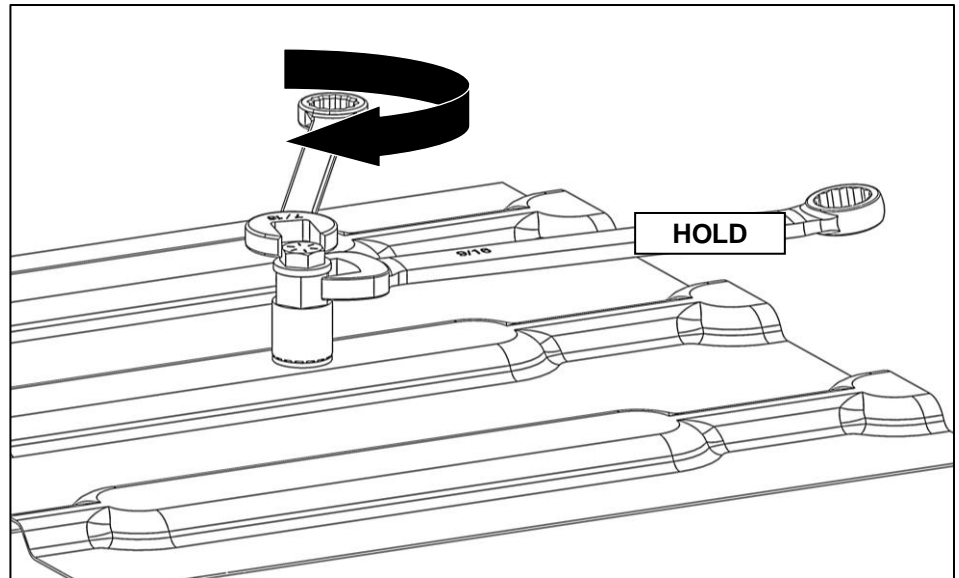
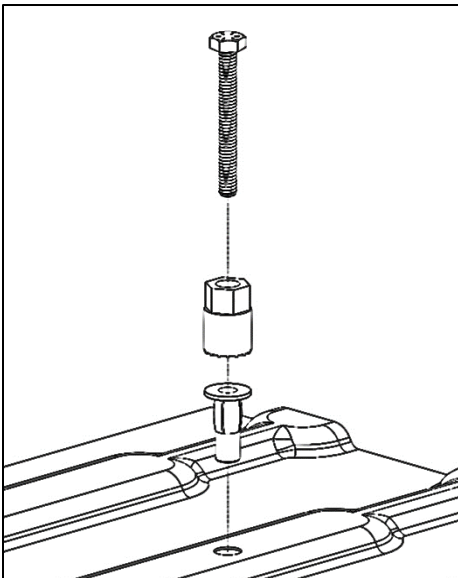


## Step 3B – Plus Nut Installation

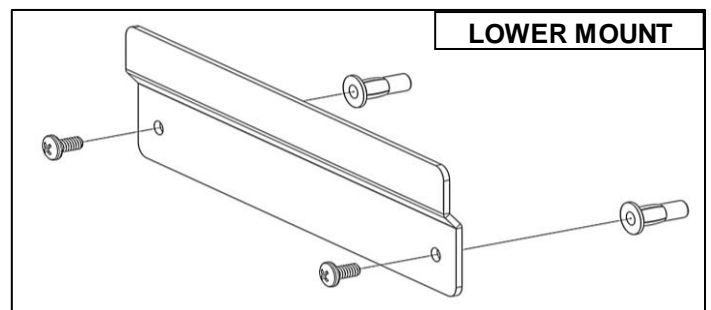
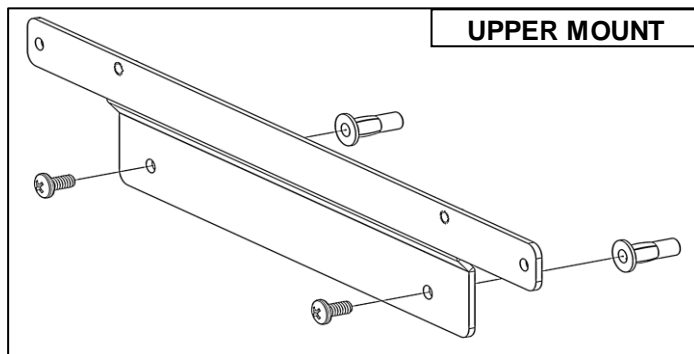


**DO NOT drill beyond depth of interior wall or steel interior door. Always check that each location is clear of wires, fuel tanks and lines, brake lines and other important vehicle functionality items prior to drilling and installing any product.**

- Drill hole using 25/64" drill bit and appropriate sized drill-bit stop collar. If 25/64" drill bit is not available, a 3/8" drill bit can be used, although it may be necessary to tap in the plus nuts.
- Insert a 1/4" x 2-1/4" hex head bolt through the plus nut installation tool, then screw the bolt into plus nut. Knurled end of plus nut tool must be directed away from bolt head and contacting plus nut.
- Insert press plus nut, with tool still attached, into hole.
- Using the 9/16" box wrench, hold the plus nut tool stationary and then tighten hex head bolt until plus nut is tightly gripping and does not spin when hex bolt is loosened.
- DO NOT overtighten plus nut.

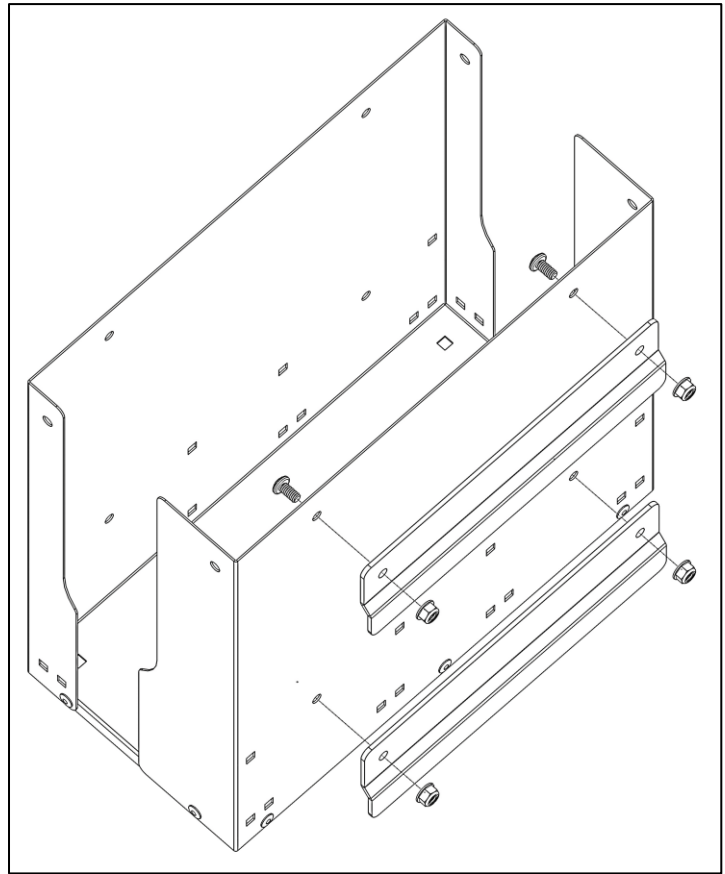


- Using four 1/4" x 1/2" pan head screws, secure zee bracket stop and a zee bracket to plus nuts installed into mounting surface.
- TIGHTEN nuts.



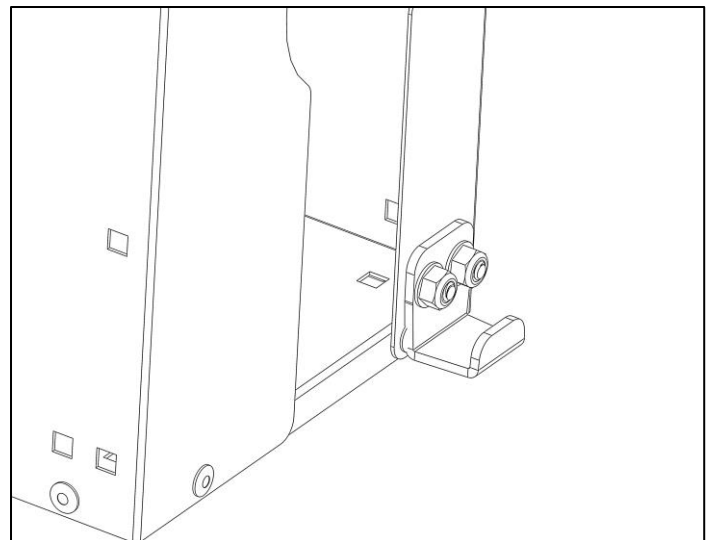
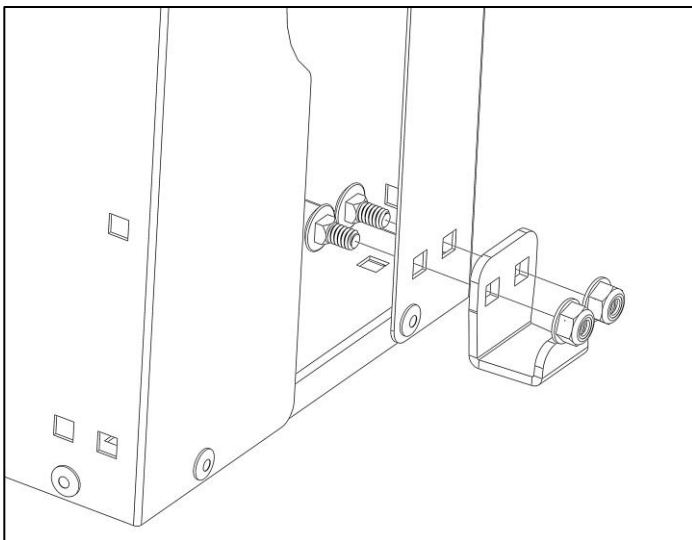
### **Step 4 – Install Zee Brackets to Rear**

- Using the four 1/4" x 1/2" pan head screws and four 1/4" flanged lock nuts provided with the sanitation station, secure upper and lower zee brackets to the rear of sanitation station.
- TIGHTEN.



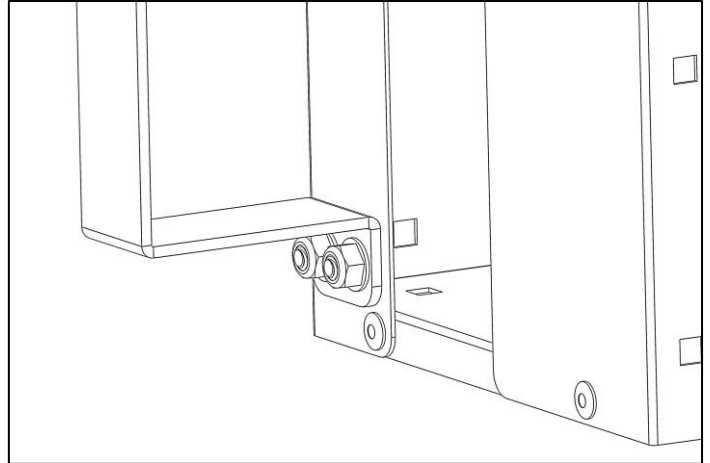
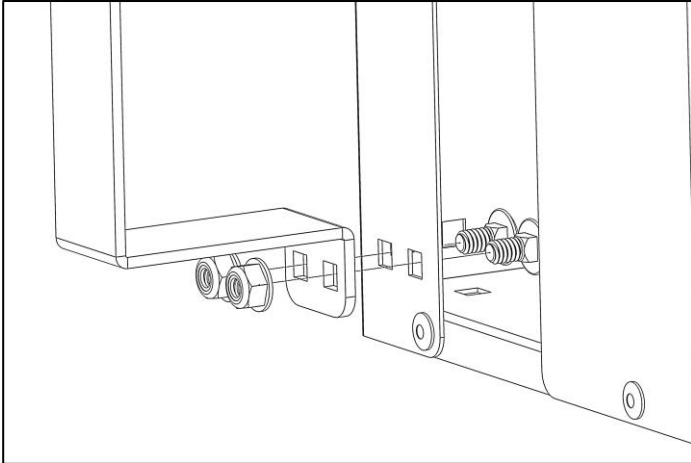
### **Step 5 – Install Bucket Hook**

- Using two 1/4" x 1/2" carriage bolts and two 1/4" lock nuts, bolt the bucket hook to the panel assembly as shown.
- TIGHTEN nuts.



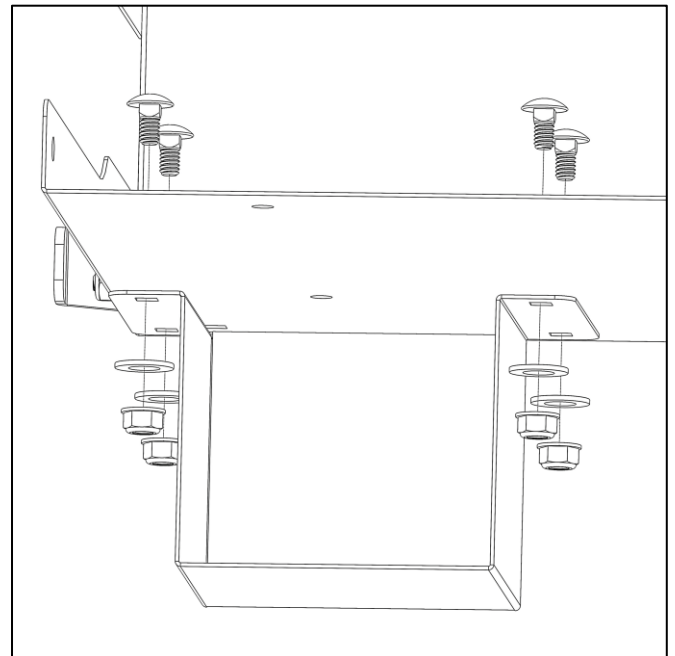
### **Step 6 – Install Paper Towel Holder**

- Using two 1/4" x 1/2" carriage bolts and two 1/4" lock nuts, bolt the paper towel holder to the panel assembly as shown.
- TIGHTEN nuts.



### **Step 7 – Install Soap Trays**

- Using four 1/4" x 1/2" carriage bolts, four 3/8" washers, and four 1/4" lock nuts, bolt the soap tray to the panel assembly as shown.
- Repeat for second soap tray if desired.
- TIGHTEN nuts.

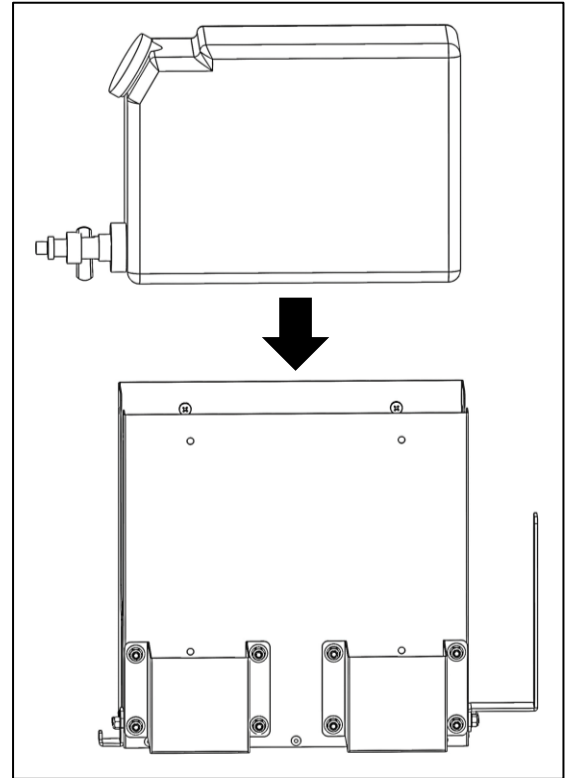




### **Step 8 – Carboy**

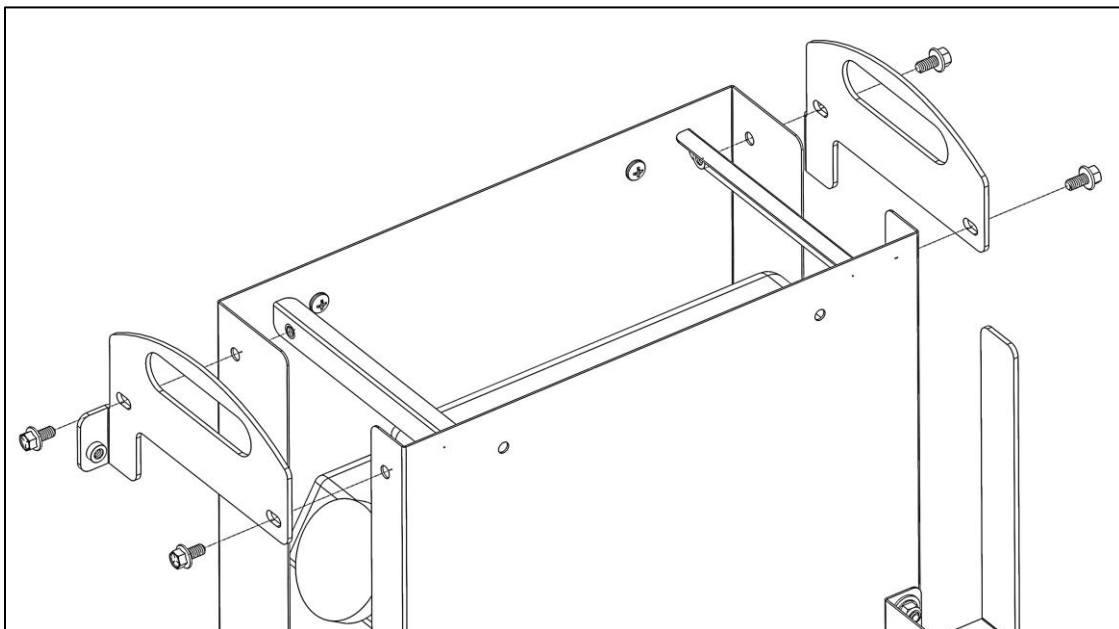
- Insert carboy straight down into sanitation station.

**NOTE:** There is a flange inside the sanitation station to secure the carboy. Be sure the carboy is not resting on top of the flange as it may damage the carboy when filled with water.

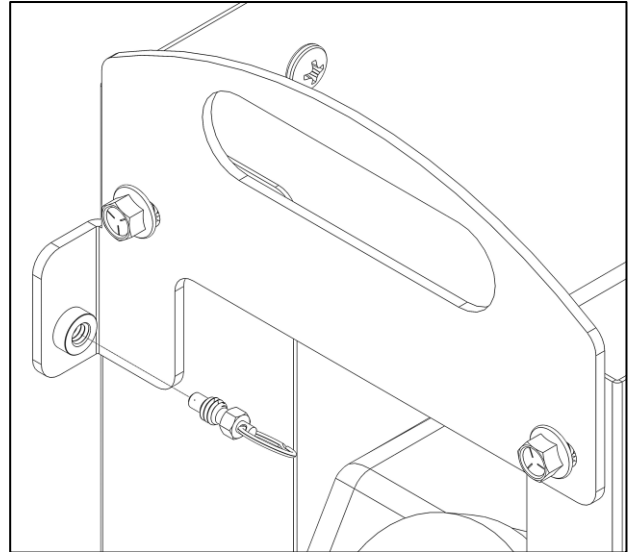


### **Step 9 – Install Lid Supports and Grab Handles**

- Using four 1/4" x 1/2" flanged hex head screws, bolt grab handles and lid support assemblies to panel assembly as shown. Be sure to install lid support assemblies with flange aimed inwards and at the top. The flanges must be towards the top to properly hold the lid in place.
- TIGHTEN.

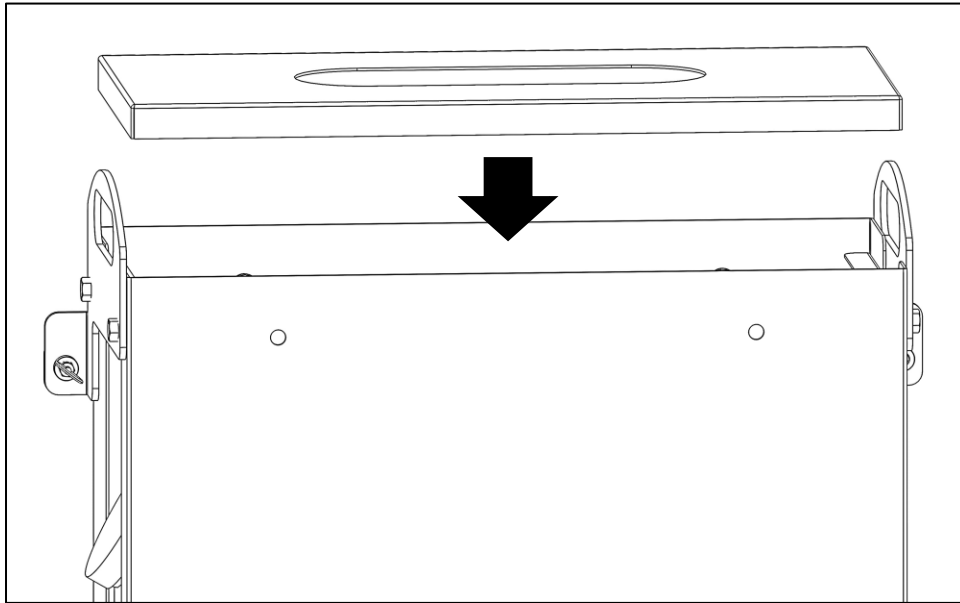


- Install quick release retractable plunger into either grab handle on side opposite paper towel holder.
- TIGHTEN.



### **Step 10 – Install Lid**

- With flanges downward, insert lid into top of sanitation station.



**GO BACK AND ENSURE ALL HARDWARE IS TIGHTENED.**

**ASSEMBLY AND INSTALATION IS COMPLETE.**