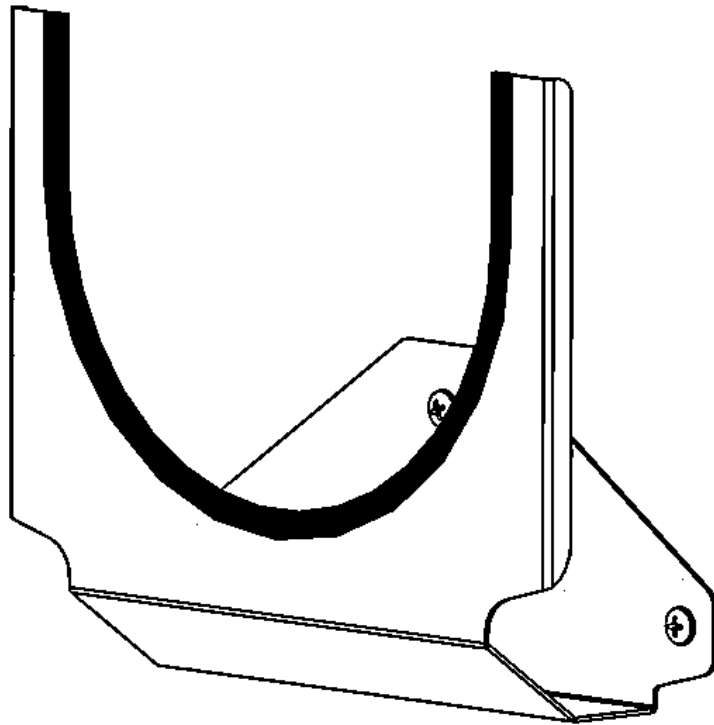


Holman

Installation Guide 40131



Holman
Rancho Cordova, CA 95742
800-343-7486
InstallationSupport@Holman.com

PLEASE READ ALL INSTRUCTIONS AND WARNINGS PRIOR TO ASSEMBLING, INSTALLING, AND USING THIS PRODUCT.

Warning



Always check for wires, fuel tanks and lines, brake lines and other important vehicle functionality items prior to drilling and installing all products.

Tools Needed

7/16" Socket and Wrench	Phillips Driver
1/4" Drill	

Table of Contents

Parts List 2

Assembly Hardware 2

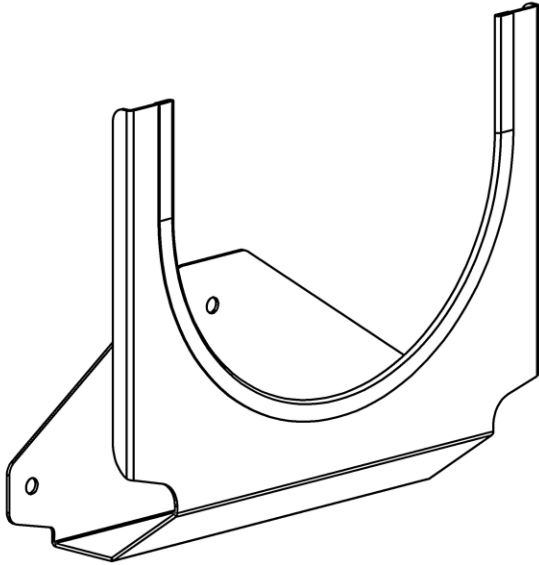
Step 1 – Determine Mount Location 3

Step 2 – Attach Hard Hat Holder 4

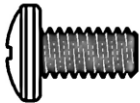

Before You Begin

- Read all instructions.
- **Hard Hat Holder can be installed in a variety of locations. Choose the location that best fits your needs. These instructions show the holder being mounted on a partition.**
- **ENSURE LOCATION CHOSEN AND WORK AREA IS CLEAR OF ELECTRICAL AND OTHER HAZARDS PRIOR TO DRILLING.**

Parts List

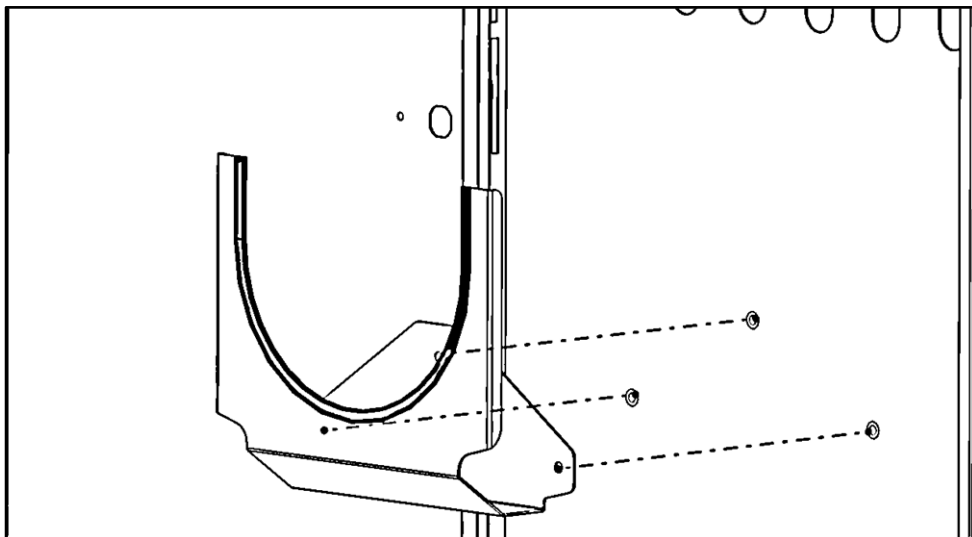
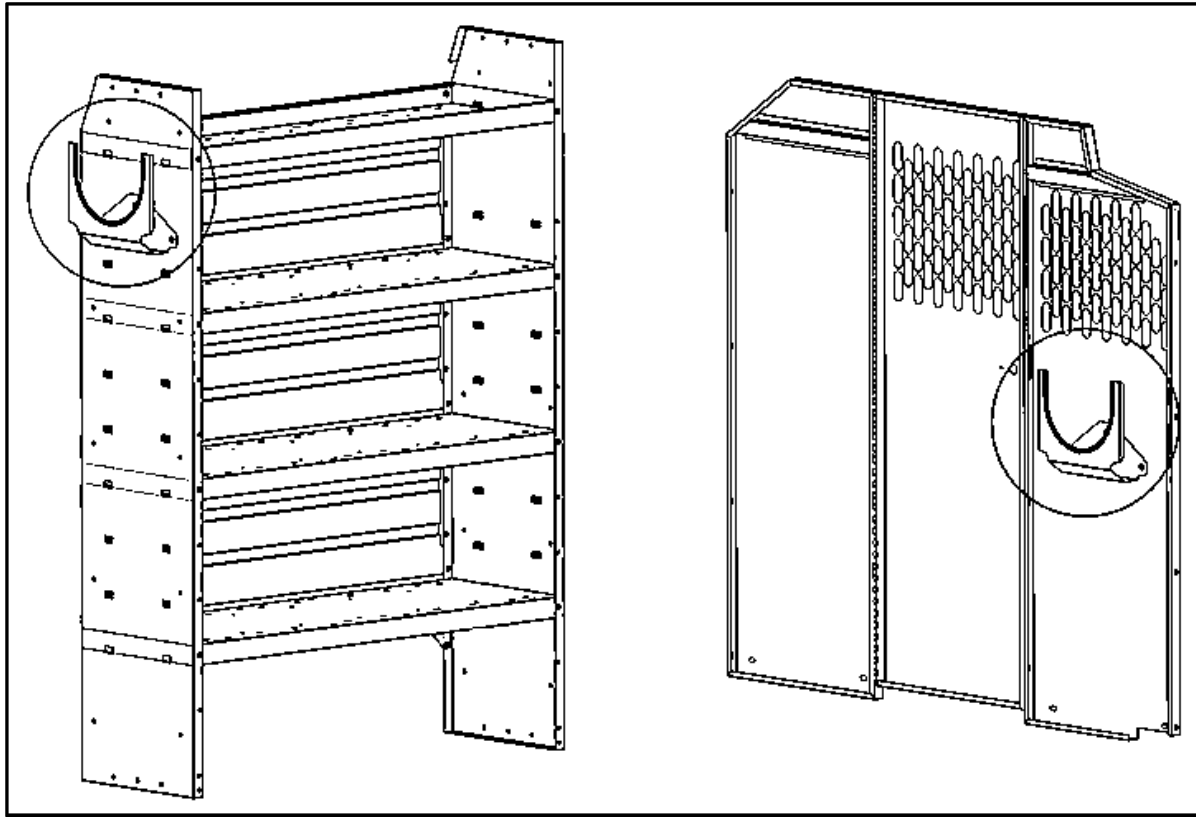
ITEM NO.		PART NUMBER	DESCRIPTION	QTY.
A		40131-10	HARD HAT HOLDER	1
		18-40131	HARDWARE	1

Hardware

ITEM NO.	TO SCALE	PART NUMBER	DESCRIPTION	QTY.
1		90272A537	SCREW, PAN HEAD, PHILLIPS 1/4-20 x 1/2	3
2		93298A110	1/4"-20 Flanged Nyloc	3

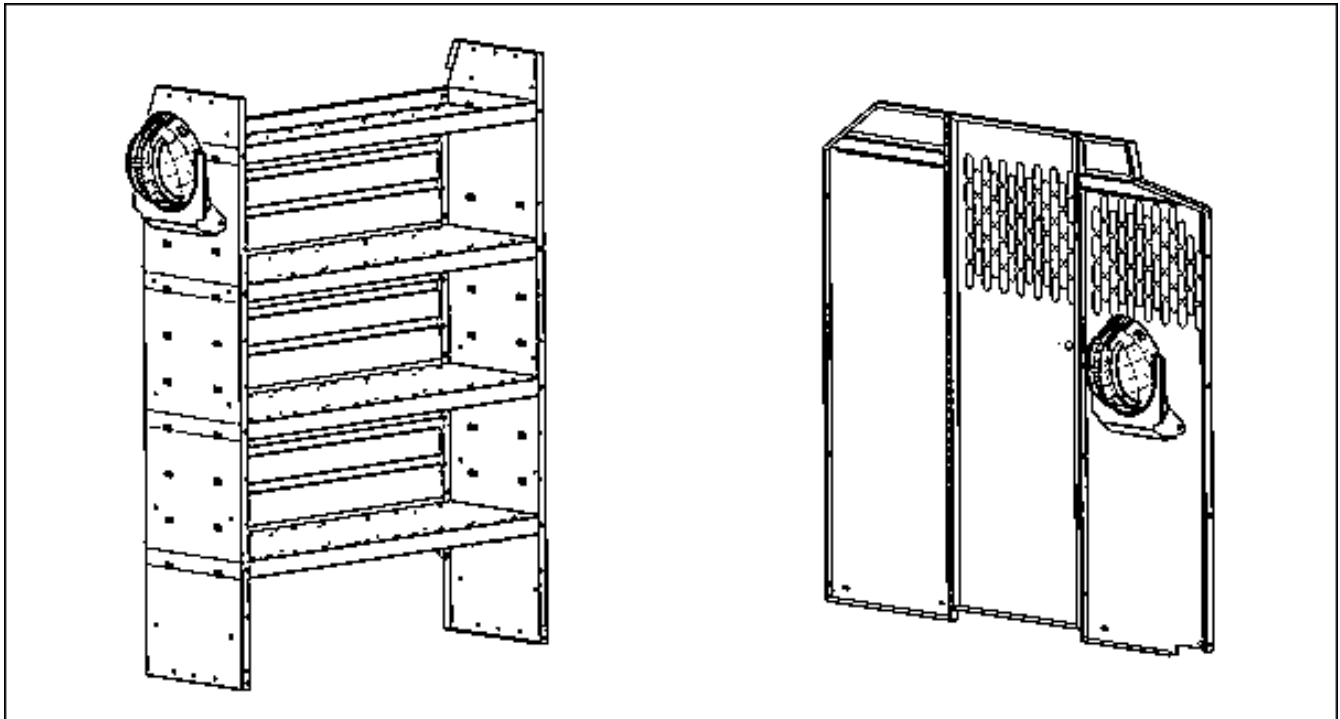
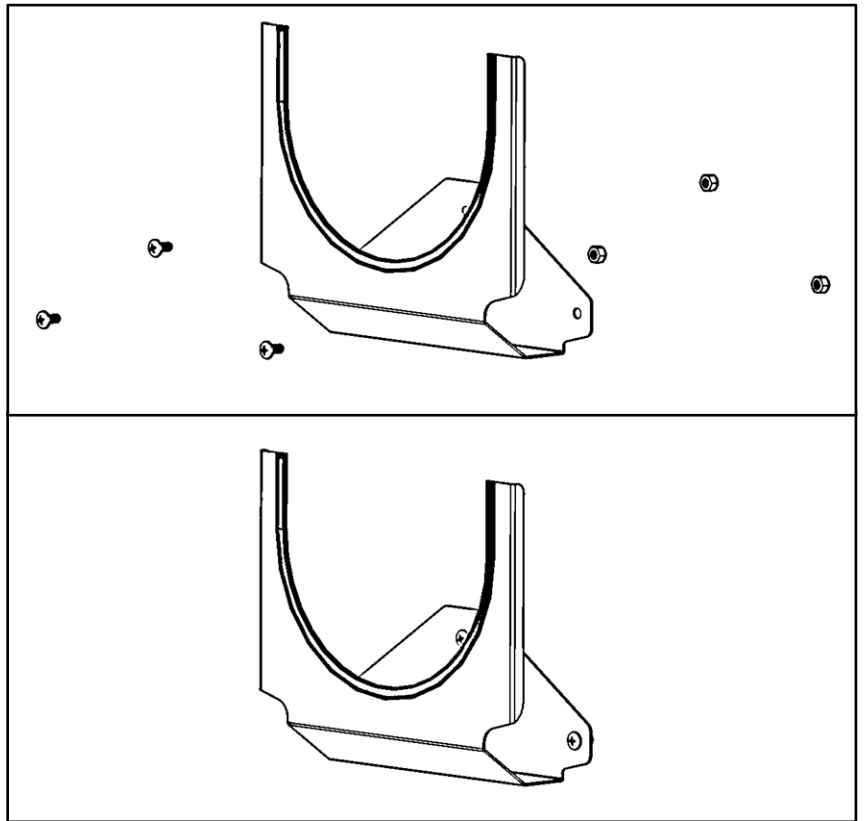
Step 1 – Determine Mount Location

- Place Hard Hat Holder in desired location.
- Once the location is chosen, level and square the Hard Hat Holder.
- Mark through the three holes of the Hard Hat Holder onto the sheet metal.
- Remove Hard Hat Holder.
- Drill marked locations using a 1/4" drill bit. **ENSURE SAFETY PRIOR TO DRILLING.**



Step 2 – Attach Hard Hat Holder

- Place Hard Hat Holder over previously drilled holes.
- Attach using 1/4" x 1/2" pan head screws and 1/4" flanged lock nuts.
- Ensure the pan head screw is orientated as shown.



GO BACK AND TIGHTEN ALL HARDWARE.

INSTALLATION IS COMPLETE.