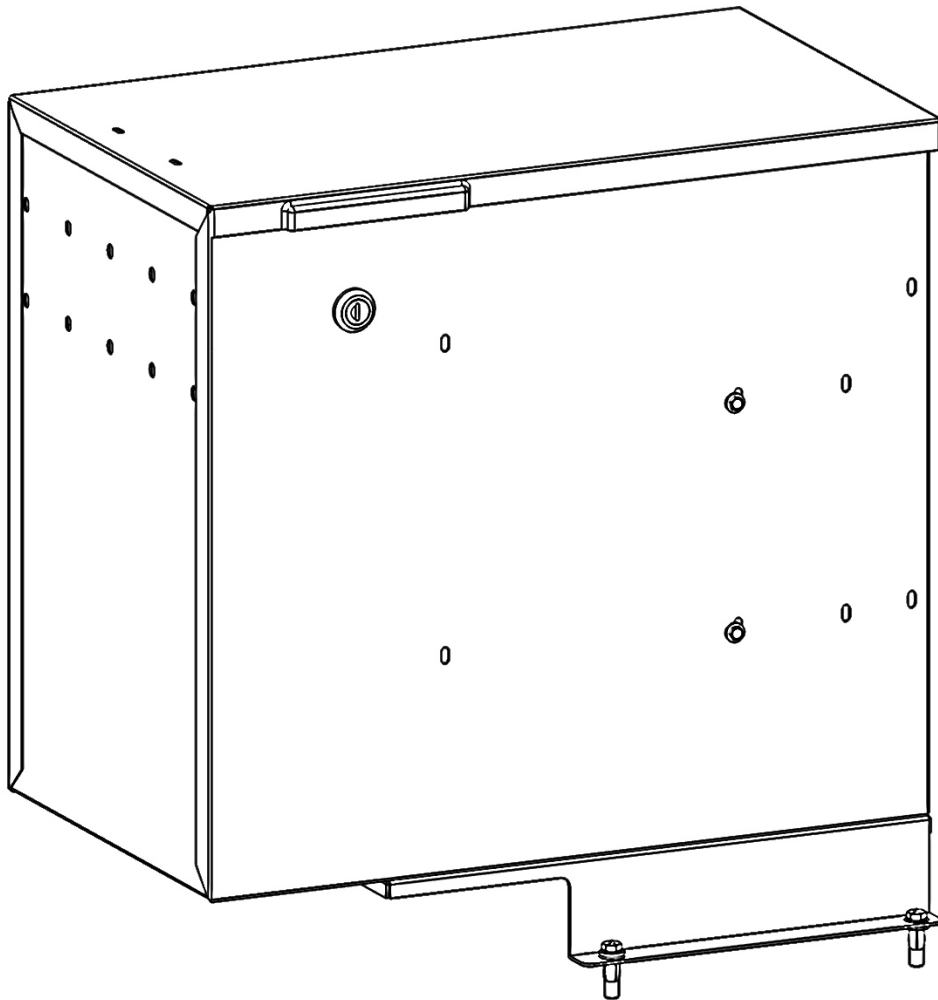


Holman

Instruction Guide 40210



Holman
Rancho Cordova, CA 95742
800-343-7486
InstallationSupport@Holman.com

PLEASE READ ALL INSTRUCTIONS AND WARNINGS PRIOR TO ASSEMBLING, INSTALLING, AND USING THIS PRODUCT.

Warning



Always check for wires, fuel tanks and lines, brake lines and other important vehicle functionality items prior to drilling and installing all products.

Tools Needed

5/16" Socket and Wrench	7/16" Socket and Wrench
25/64" Drill Bit	9/16" Box Wrench
Drill Bit Stop Collar	Plus Nut Installation Tool (P9902)*
Drill	

* Sold Separately.

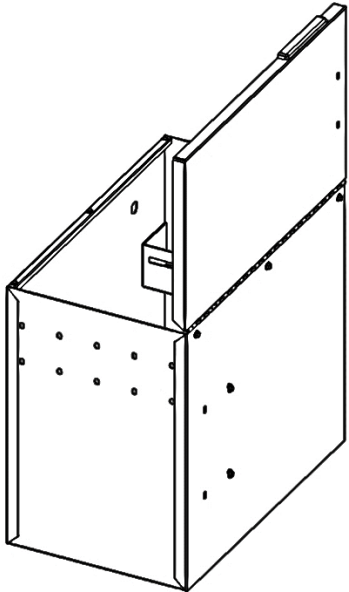
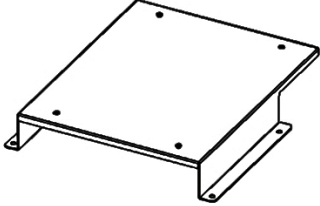
Table of Contents

Parts.....	2
Assembly Hardware	2
Step 1 – Prepare to Install Base	3
Step 2 – Install Plus Nuts	3
Step 3 – Mount Box to Base	4



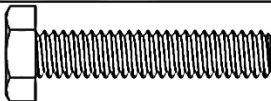
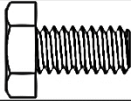
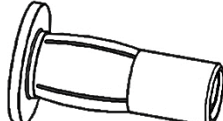
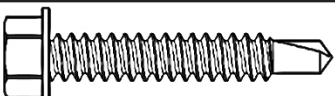
Before You Begin

- Read all instructions.
- **BE SURE TO ENSURE SAFETY PRIOR TO DRILLING.**
- Typically, this installation goes in between the front two seats of the van. This can be installed anywhere desired.
- The following installation instructions use the recommended hardware for floor mounted locations. Additional hardware has been included for alternate installation locations and method.

Parts

NO.	ITEM	PART NUMBER	DESCRIPTION	QTY.
1		40210-40	DATA FILE ASSEMBLY	1
2		40210-30	BASE ASM	1
3		18-40210	DATA DRIVER HARDWARE	1

Assembly Hardware

ITEM	HARDWARE TO SCALE	PART NUMBER	DESCRIPTION	QTY.
1		33078	1/4" FLAT WASHER	8
2		33618	1/4" LOCK WASHER	8
3		13007	1/4"-20 X 1-1/4" HEX HEAD BOLT	4
4		11241162	1/4"-20 X 1/2" HEX HEAD BOLT	4
5		920313726	1/4"-20 PLUS NUT	4
6		90064A630	1/4" X 1-1/2" SELF-DRILLING SHEET METAL SCREW	4

Step 1 – Prepare to Install Base

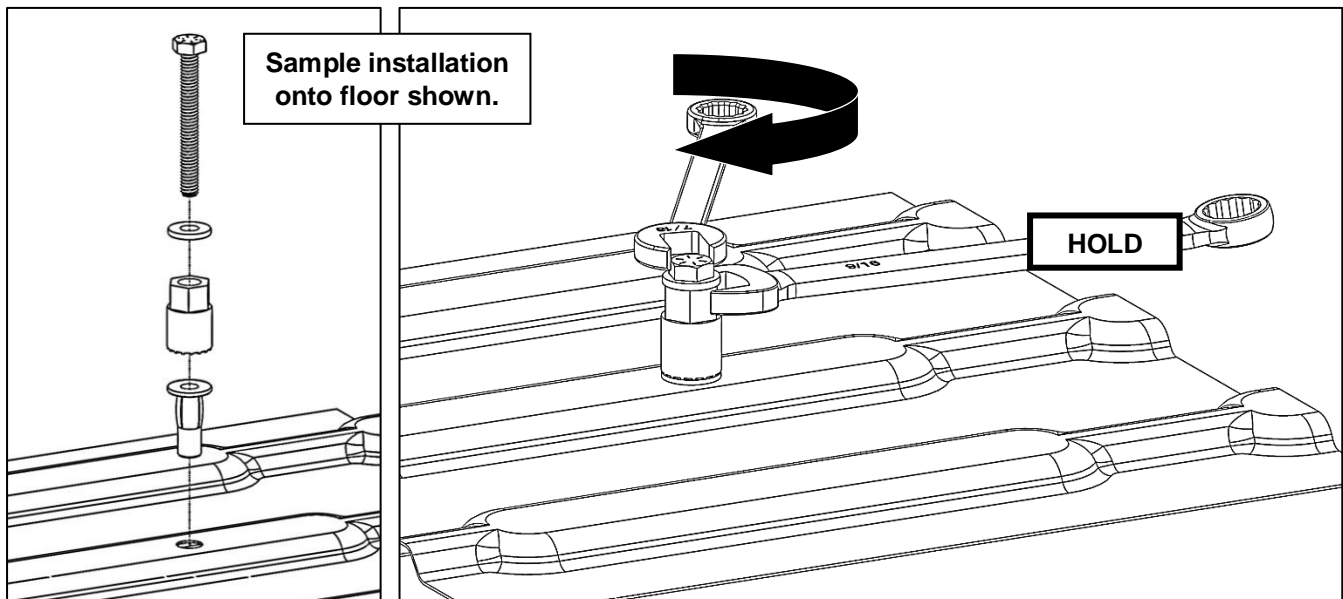
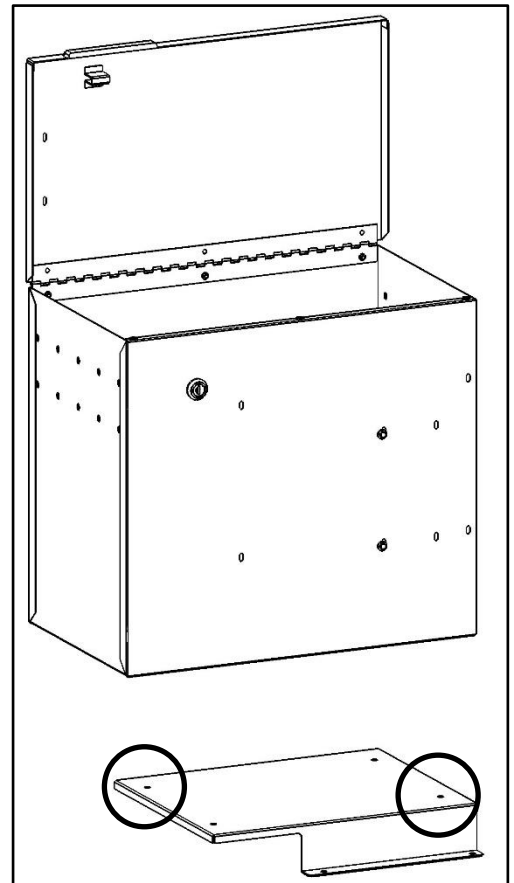
- Bolt data box to the base only in two locations.
- Place assembly into vehicle and find desired location.
- Mark through the four holes in the base, onto the floor of the vehicle.
- Remove data box and base assembly from vehicle.
- Remove base from data box.

Step 2 – Install Plus Nuts

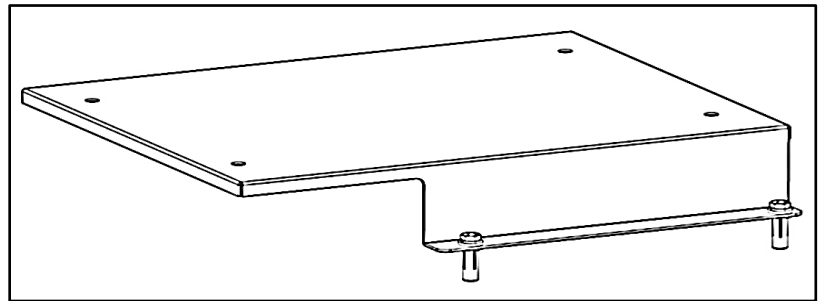
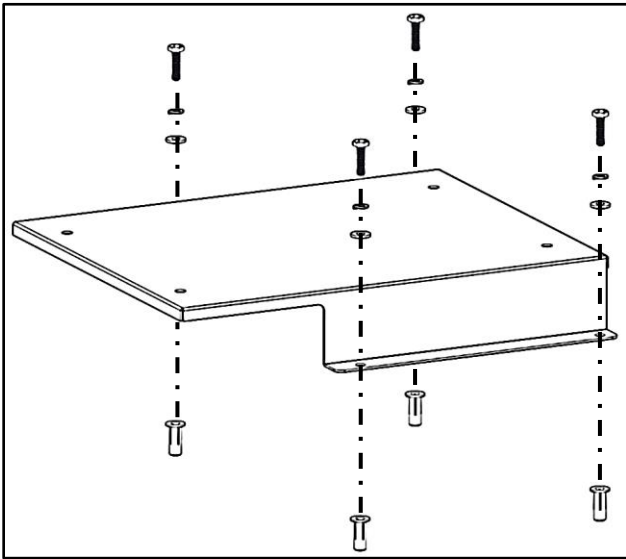


DO NOT drill beyond depth of floor or upper installation surface. Always check for wires, fuel tanks and lines, brake lines and other important vehicle functionality items prior to drilling and installing all products.

- At each marked location, drill hole using 25/64" drill bit and appropriate sized drill-bit stop collar. If 25/64" drill bit is not available, a 3/8" drill bit can be used, although it may be necessary to tap in the plus nuts.
- Insert 1/4" x 2-1/4" hex head bolt through 1/4" flat washer and plus nut installation tool, and then screw bolt into plus nut. Knurled end of plus nut tool must be directed away from bolt head and contacting plus nut.
- Insert plus nut into hole with plus nut tool attached.
- Using the 9/16" box wrench, hold the plus nut tool stationary and then tighten hex head bolt until plus nut is tightly gripping and does not spin when hex bolt is loosened.
- DO NOT overtighten plus nut.
- Using the 9/16" box wrench, hold the plus nut tool stationary to remove the 1/4" hex head bolt.



- Bolt base to floor of vehicle where plus nuts were previously installed using 1/4" x 1-1/4" hex head bolts, 1/4" lock washers and 1/4" flat washers.
- Repeat for a total of 4 times.
- TIGHTEN.



Step 3 – Mount Box to Base

- Using 1/4" x 1/2" hex head bolts, 1/4" lock washers and 1/4" flat washers, bolt through holes in bottom of box to previously installed base.
- ALIGN and TIGHTEN.

GO BACK AND ENSURE ALL HARDWARE IS TIGHT.

YOUR INSTALLATION IS NOW COMPLETE.

