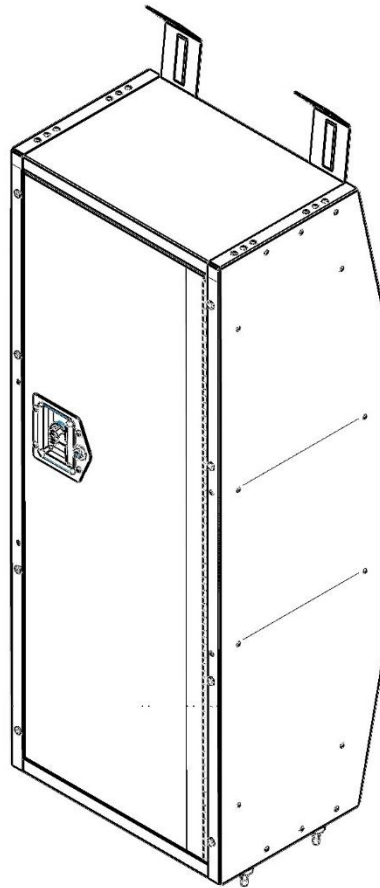


Holman

Instruction Guide 40220



Holman
Rancho Cordova, CA 95742
800-343-7486
InstallationSupport@Holman.com

PLEASE READ ALL INSTRUCTIONS AND WARNINGS PRIOR TO ASSEMBLING, INSTALLING, AND USING THIS PRODUCT.

Warning



Always check for wires, fuel tanks and lines, brake lines and other important vehicle functionality items prior to drilling and installing all products.

Table of Contents

Tools Needed	1
Before You Begin	1
Parts List	2
Hardware	3
Step 1 – Determine Installation Location	3
Step 2 –Change Door Orientation	3
Step 3 – Mark Mounting Locations	4
Step 4 – Install Plus Nuts.....	5
Step 5 – Mount Cabinet to Floor	5
Step 6 – Install Upper Support Brackets	6
Step 7 – Install Shelves	6

Tools Needed

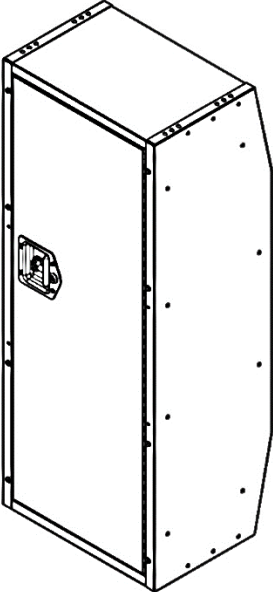
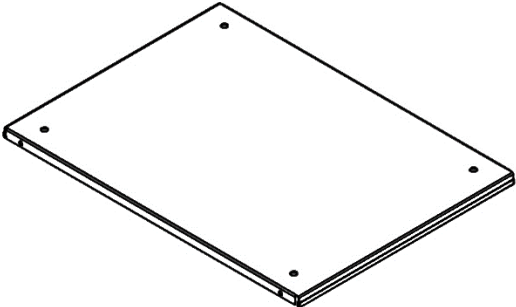
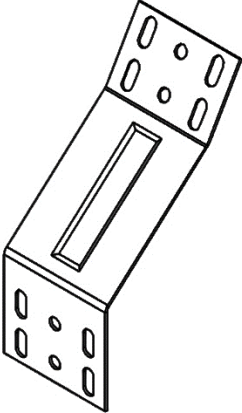
7/16" Socket and Wrench	7/16", 9/16" Box Wrenches
9/32", 25/64" Drill Bit	Drill
#2 Phillips Screwdriver	Drill Bit Stop Collar
	Plus Nut Installation Tool (P9902)*

* Sold Separately.

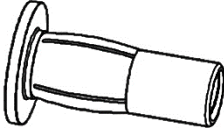
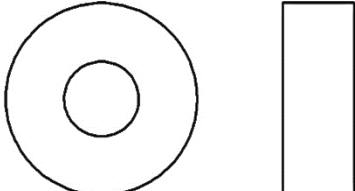
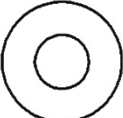



Before You Begin

- Read all instructions prior to assembling or installing any Holman product.
- **Always locate your installation locations prior to performing any work.**
- **ENSURE SAFETY WHILE INSTALLING OR DRILLING INTO VEHICLE.**
- **Plus Nut Installation Tool Kit (P9902) is not included and must be purchased separately.**

Parts List

NO.	ITEM	PART NUMBER	DESCRIPTION	QTY.
1		101391	CABINET ASSEMBLY	1
2		101390	SHELF ASSEMBLY	2
3		KM8006-401	UPPER SUPPORT BRACKET	2
4		18-40220	HARDWARE KIT	1

Hardware

ITEM	HARDWARE TO SCALE	PART NUMBER	DESCRIPTION	QTY.
1		920313726	1/4"-20 Plus Nut	4
2		11517442	3/8" ID 1" OD NYLON Spacer	4
3		33078	1/4" FLAT WASHER	12
4		37018	1/4"-20 NYLON INSERT LOCK NUT	4
5		13003	1/4"-20 X 3/4" HEAD HEAD BOLT	4
6		13800	1/4"-20 x 1-1/4" HEX HEAD BOLT	4

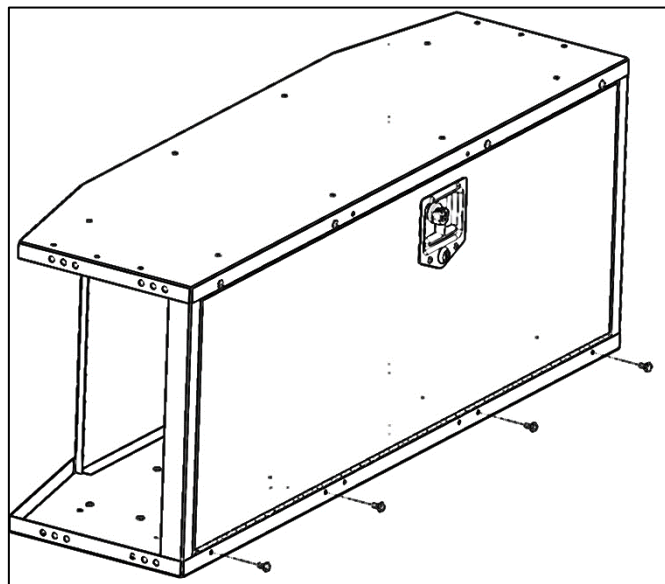
Step 1 – Determine Installation Location

- Determine installation location. **Keep in mind clearance for opening the door.**

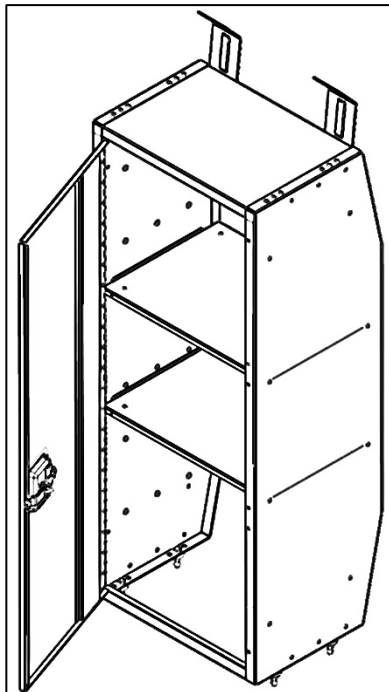
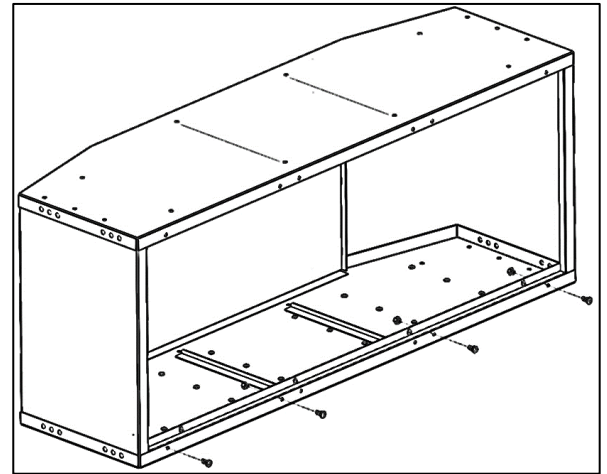
NOTE: The cabinet is shipped with the door installed opening right. If opening left is desired proceed to step 2, if opening right is desired skip to step 3.

Step 2 –Change Door Orientation

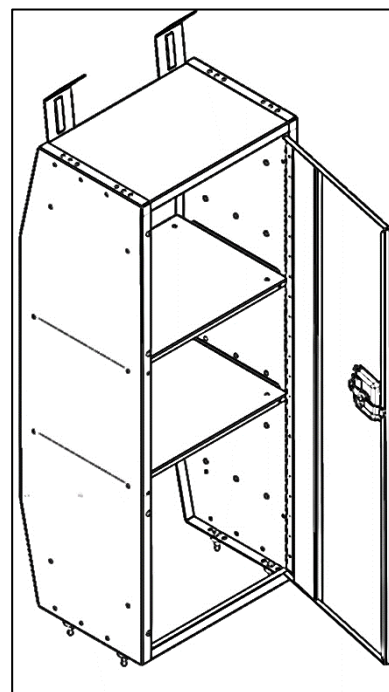
- Lay cabinet on right side and remove four 1/4" x 1/2" hex head bolts on right side of door.
- Remove cabinet door and set aside.



- Remove four 1/4" x 5/8" Phillips machine screws and four 1/4" lock nuts on left side of door and remove cabinet door strip.
- Reinstall cabinet door strip on right side using four 1/4" x 5/8" Phillips machine screws and four 1/4" lock nuts.
- Reinstall cabinet door with hinge on the left side of the cabinet using four 1/4" x 1/2" hex head bolts.



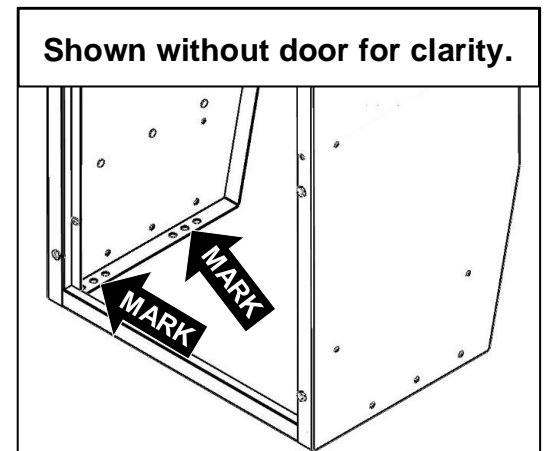
Left Opening Door Position



Right Opening Door Position

Step 3 – Mark Mounting Locations

- Position the cabinet in desired installation location and position.
- Mark onto the floor the location of **FOUR** holes in bottom of cabinet.

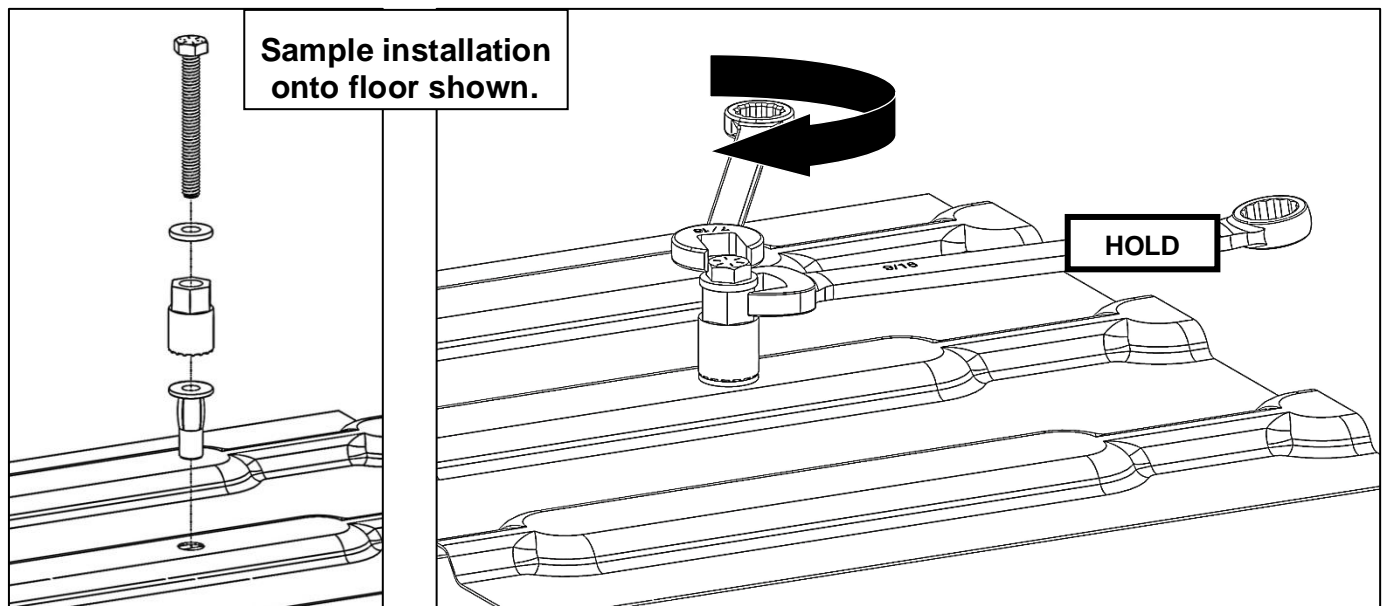


Step 4 – Install Plus Nuts



DO NOT drill beyond depth of floor or upper installation surface. Always check for wires, fuel tanks and lines, brake lines and other important vehicle functionality items prior to drilling and installing all products.

- At each marked location, drill hole using 25/64" drill bit and appropriate sized drill-bit stop collar. If 25/64" drill bit is not available, a 3/8" drill bit can be used, although it may be necessary to tap in the plus nuts.
- Insert 1/4" x 2-1/4" hex head bolt through 1/4" flat washer and plus nut installation tool, and then screw bolt into plus nut. Knurled end of plus nut tool must be directed away from bolt head and contacting plus nut.
- Insert plus nut into hole with plus nut tool attached.
- Using the 9/16" box wrench, hold the plus nut tool stationary and then tighten hex head bolt until plus nut is tightly gripping and does not spin when hex bolt is loosened.
- DO NOT overtighten plus nut.
- Using the 9/16" box wrench, hold the plus nut tool stationary to remove the 1/4" hex head bolt.

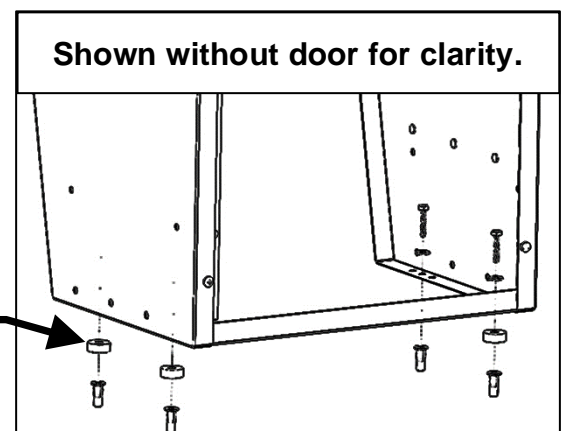


Step 5 – Mount Cabinet to Floor

If a gap exists between the cabinet and the installation location in the floor, nylon spacers are provided to fill the gap.

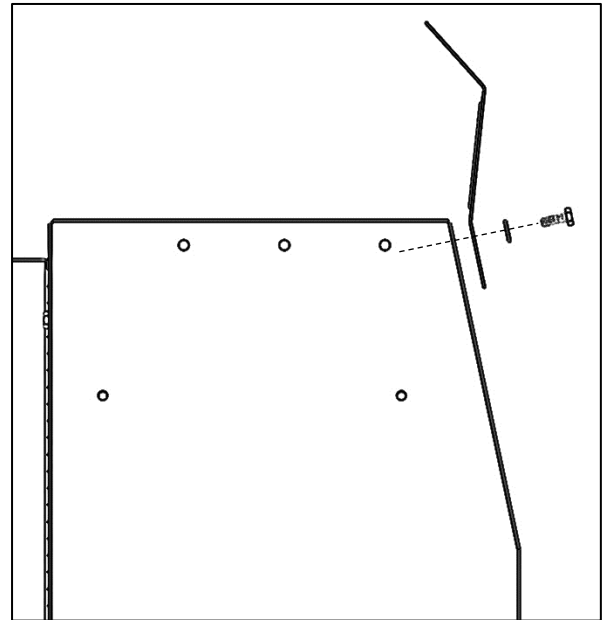
- Press assembly firmly against the floor.
- Using 1/4" x 1-1/4" hex head bolts, 1/4" flat washers, and, if necessary, nylon spacers, bolt through the base of the assembly into the plus nuts.
- Tighten hardware.

SPACERS AS NEEDED



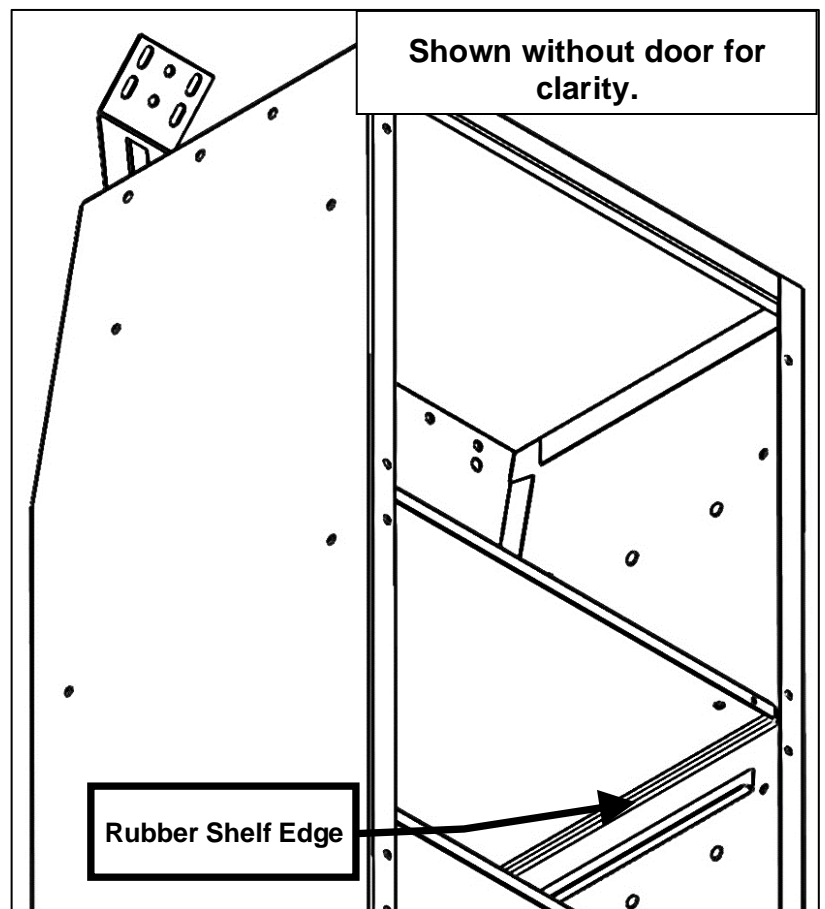
Step 6 – Install Upper Support Brackets

- If needed two upper support brackets are provided to increase rigidity of the cabinet.
- Using two 1/4" x 3/4" hex head bolts, two 1/4" washers, and two 1/4" lock nuts, bolt an upper support bracket to rear of cabinet.
- Snug tighten but allow movement.
- Determine installation location on panel of van wall and install using appropriate hardware.



Step 7 – Install Shelves

- Two removable shelves are provided with the cabinet.
- Install shelf by placing shelf on top of shelf lip with the rubber edge resting on the shelf lip.



GO BACK AND TIGHTEN ALL HARDWARE.
INSTALLATION IS COMPLETE.