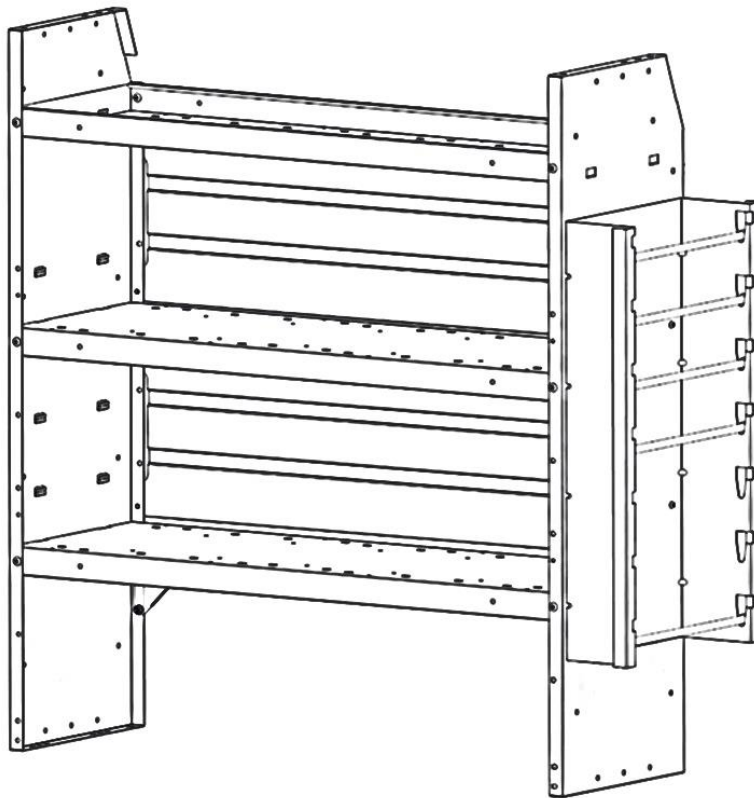


Holman

Installation Guide

40230



Holman

Rancho Cordova, CA 95742

800-343-7486

InstallationSupport@Holman.com

PLEASE READ ALL INSTRUCTIONS AND WARNINGS PRIOR TO ASSEMBLING, INSTALLING, AND USING THIS PRODUCT.

Warning



Always check for wires, fuel tanks and lines, brake lines and other important vehicle functionality items prior to drilling and installing all products.

Tools Needed

5/32" Allen Hex	7/16" Wrench and Socket
1/4" Drill Bit (Optional)	Drill (Optional)

Table of Contents

Parts List 2

Hardware List 2

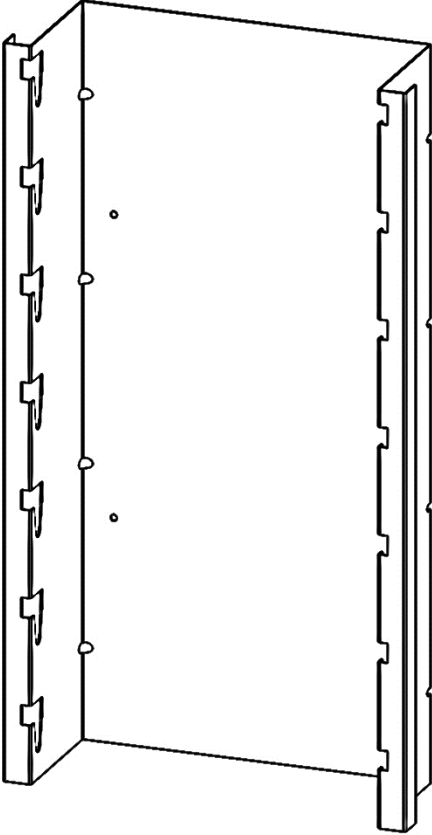

Step 1 Find Location 3

Step 2 Attach 3-4


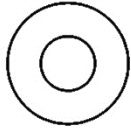

Before You Begin

- Read all instructions.
 - **ENSURE SAFETY PRIOR TO DRILLING.**
 - Product can be installed on virtually any sheet metal product.
-

Parts

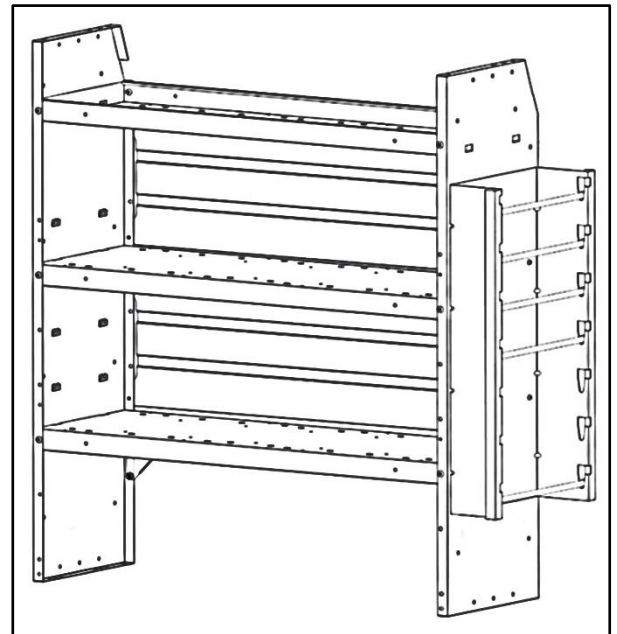
ITEM NO.		PART NUMBER	DESCRIPTION	QTY.
A		40230-00-001	Reel Base	1
B		40230-10	Reel Bar ASM	5
		18-40230	Hardware Kit	1

Hardware

ITEM NO.	TO SCALE	DESCRIPTION	PART NUMBER	QTY.
1		.25-20 x .50 BHCS	91306A375	4
2		.25 Flat Washer	90126A029	4
3		.25-20 Nyloc	95615A120	4

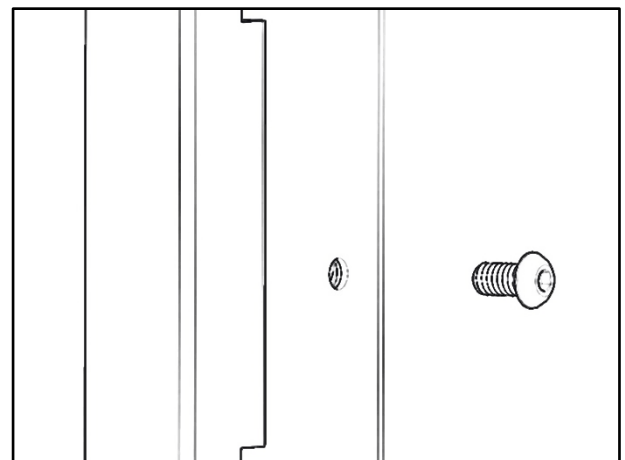
Step 1 – Find Location

- Find desired location for wire wheel holder to be installed.
- On the side of most Holman shelf units, holes can be found that correspond with holes from the wire wheel holder.
- Place reel base in desired location, if holes do **NOT** align, mark hole locations and drill with 1/4" drill.
- One can place wire wheel holder in any desired location.

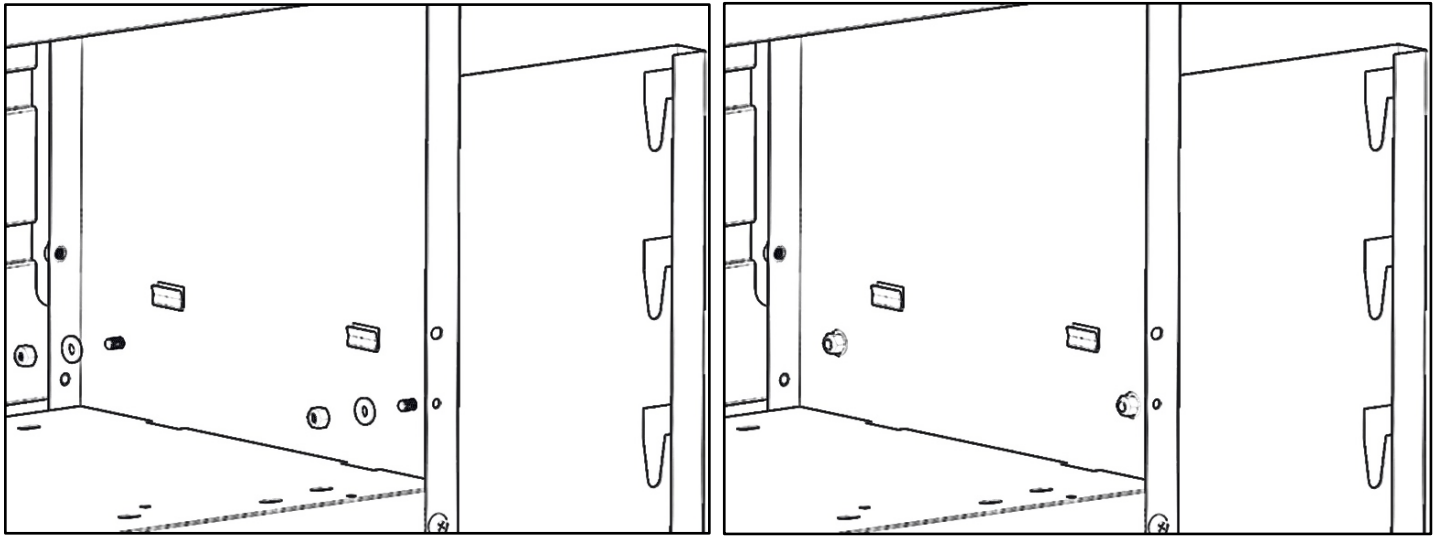


Step 2 – Attach

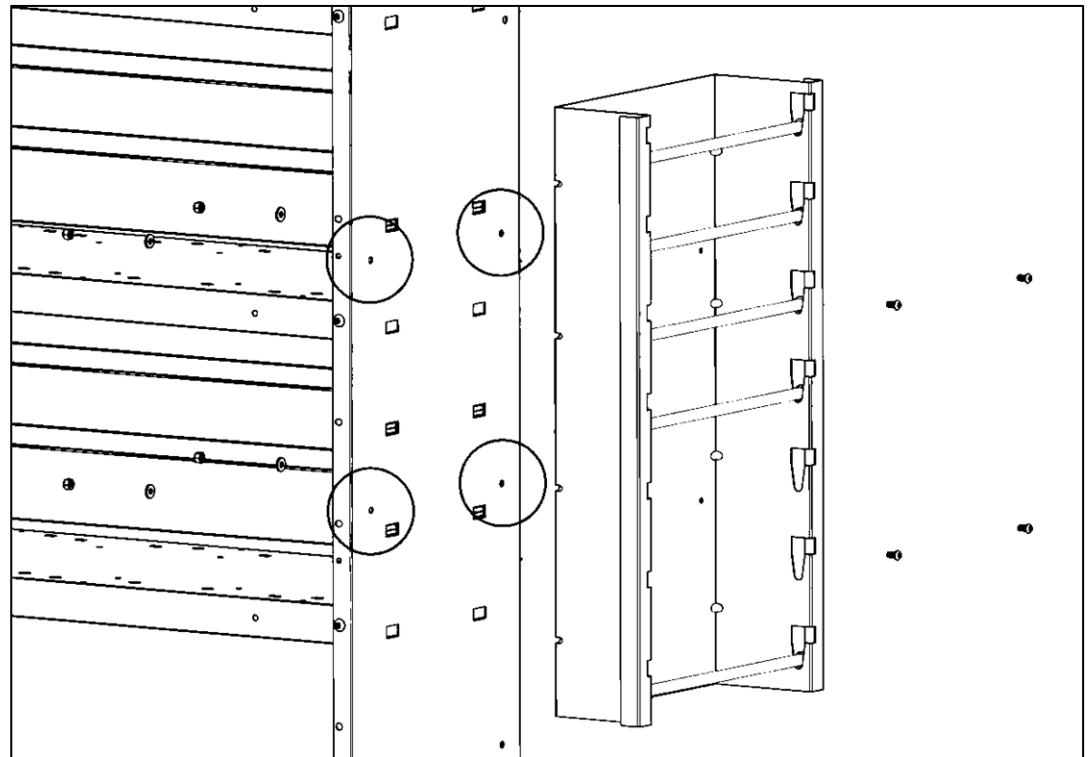
- Bolt together using a 1/4" x 1/2" button head cap screw on the reel base side.

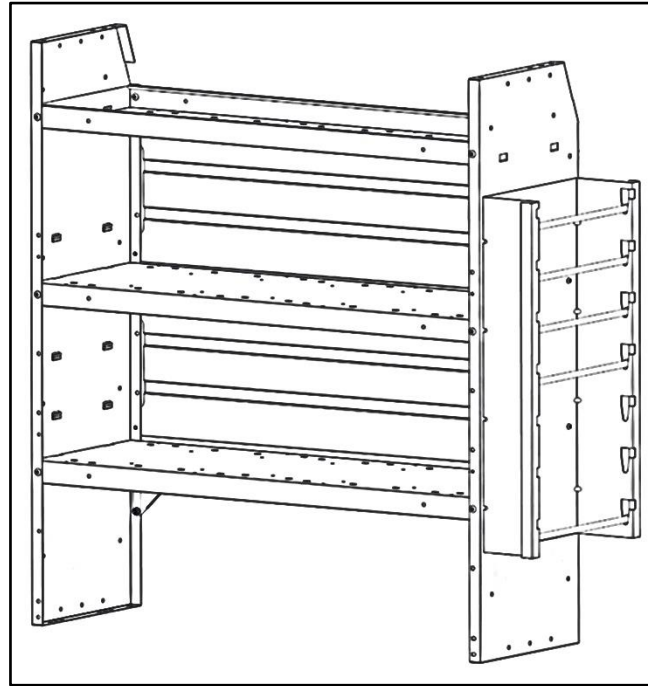


- On the attachment side, bolt together using a 1/4" flat washer and a 1/4" lock nut.



- Repeat 3 more times as shown
- Place reel bars in desired locations.





GO BACK AND TIGHTEN ALL HARDWARE.

INSTALLATION IS COMPLETE.