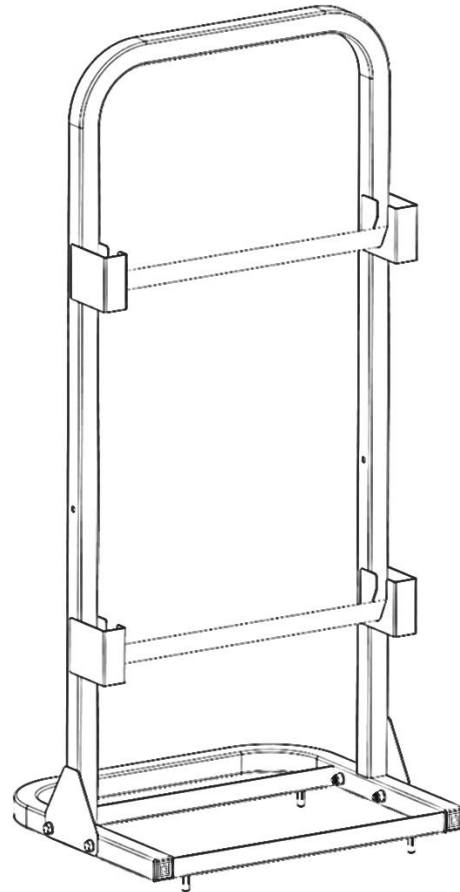


Holman

Installation Guide

40231



Holman
Rancho Cordova, CA 95742
800-343-7486
InstallationSupport@Holman.com

PLEASE READ ALL INSTRUCTIONS AND WARNINGS PRIOR TO ASSEMBLING, INSTALLING, AND USING THIS PRODUCT.

Warning



Always check for wires, fuel tanks and lines, brake lines and other important vehicle functionality items prior to drilling and installing all products.

Tools Needed

1/2" Wrench and Socket	7/16" Wrench and Socket
25/64" Drill	Hand Drill

Table of Contents

Parts List 2

Hardware List 3

Step 1 – Assemble Holder 4

Step 2 – Determine Location 5

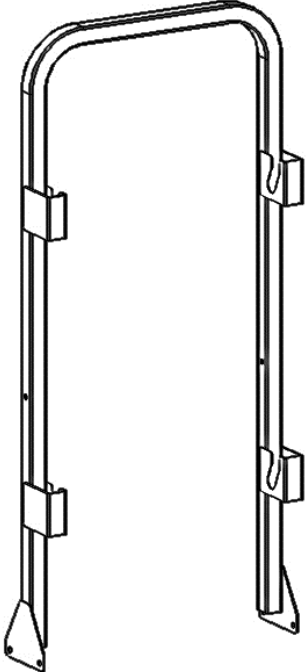
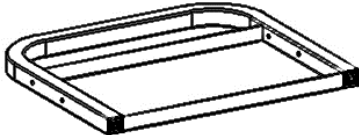
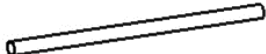
Step 3 – Install 6

Step 4 – Install Tubes..... 7

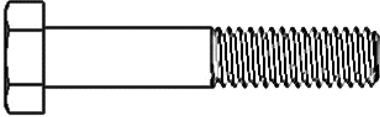


Before You Begin

- Read all instructions.
- **ENSURE SAFETY PRIOR TO DRILLING, USE A DRILL STOP.**

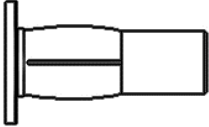
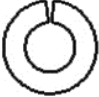


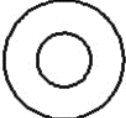
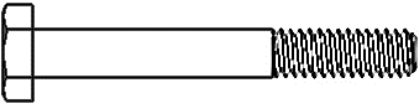
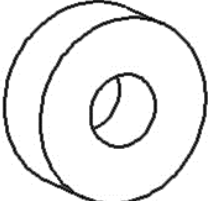
Parts List

ITEM NO.		PART NO.	DESCRIPTION	QTY.
A		40231-10	CABLE REEL HOOP	1
B		40231-20	CABLE REEL BASE	1
C		40231-00-001	CABLE REEL TUBE	2
		18-40231-A	ASSEMBLY HARDWARE	1
		18-40231-M	MOUNTING HARDWARE	1

Hardware

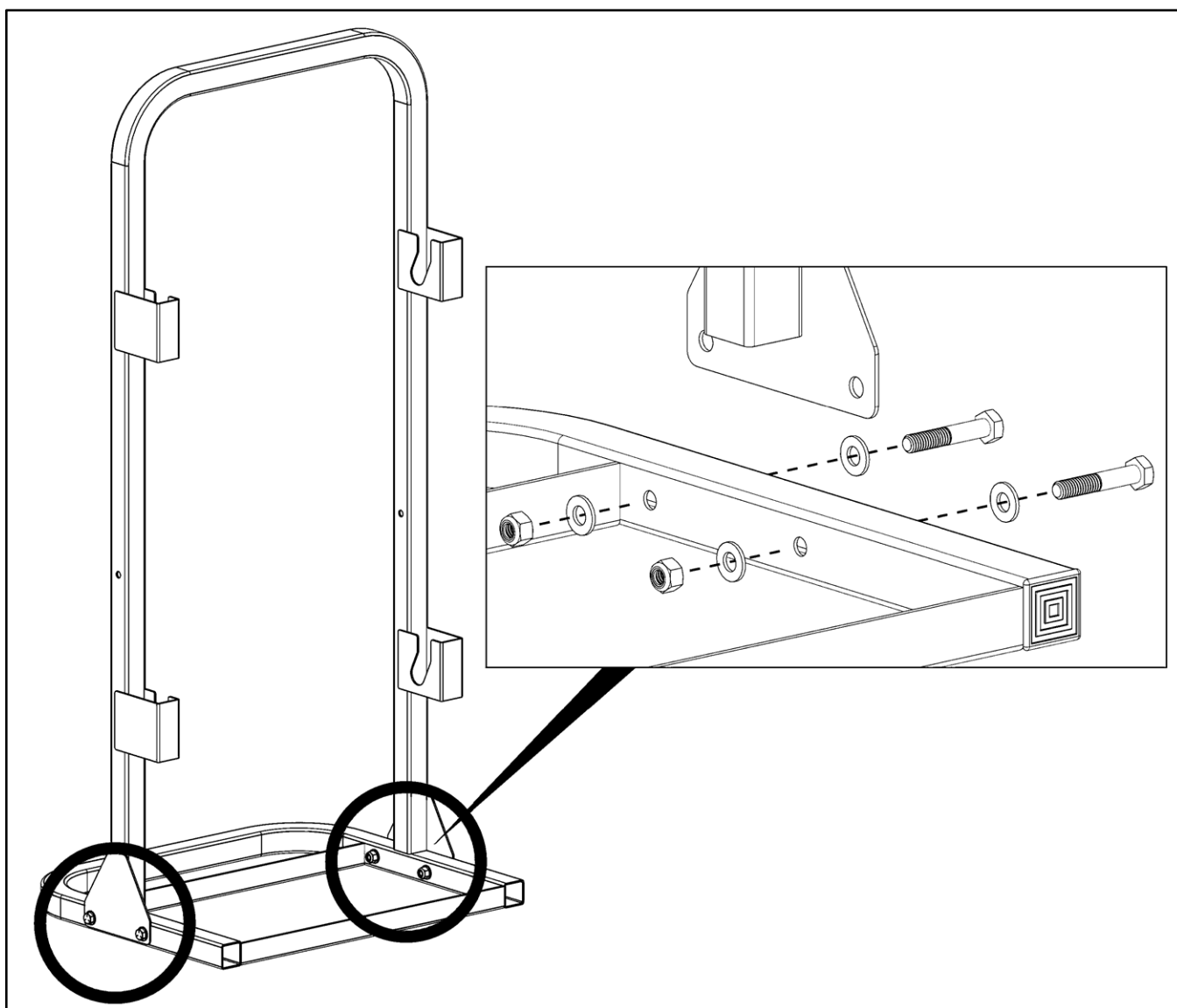
ITEM NO.	TO SCALE	PART NO.	DESCRIPTION	QTY.
1		13010	5/16"-18 X 1-3/4" HEX HEAD BOLT	4
2		11541083	5/16" WASHER	8
3		0169777	5/16"-18 NYLOC	4

Hardware (Continued)

ITEM NO.	TO SCALE	PART NO.	DESCRIPTION	QTY.
1		99894759	1/4"-20 PLUSNUT	4
2		0123494	1/4"-20 LOCK WASHER	4
3		11241167	1/4"-20 x 1-1/4" HEX HEAD BOLT	4
4		0169789	1/4"-20 NYLOC NUT	2
5		11541082	1/4" FLAT WASHER	8
6		11241169	1/4"-20 x 2" HEX HEAD BOLT	2
7		-	3/8" ID 1" OD NYLON SPACER	4

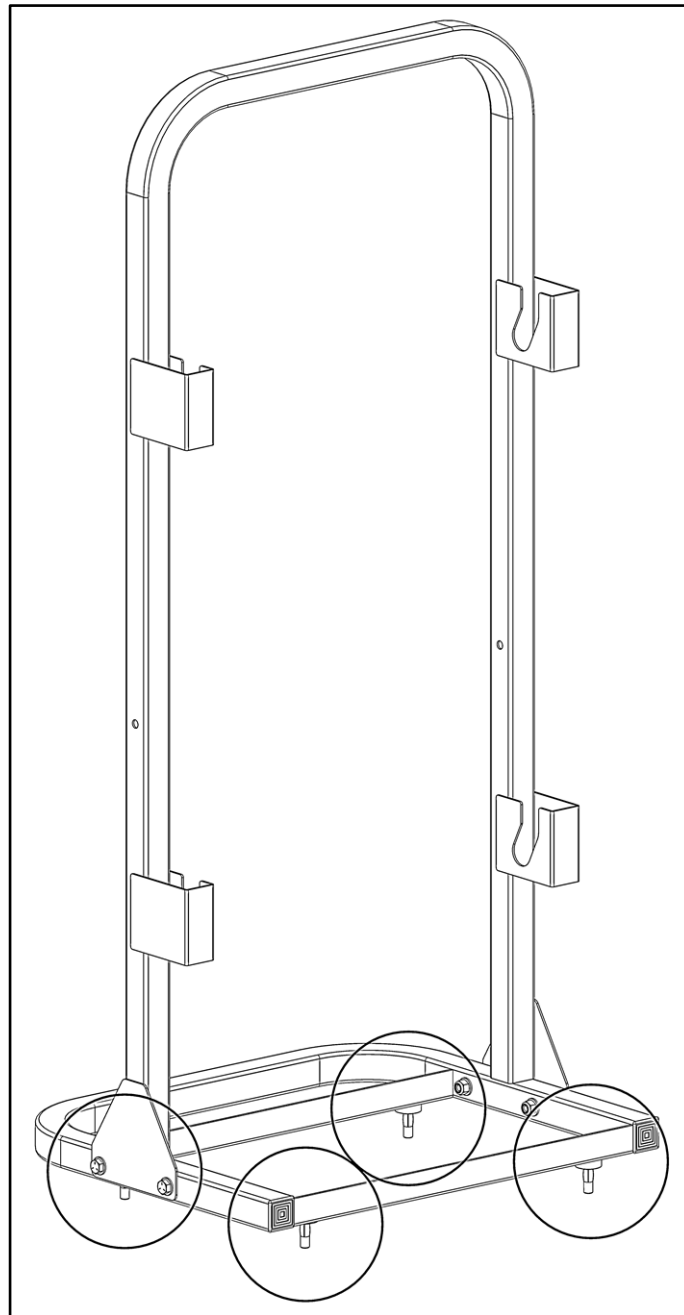
Step 1 – Assemble Holder

- Place the reel hoop on top of the reel base in the orientation shown.
- Bolt the hoop to the base using 5/16" x 1-3/4" hex head bolts, 5/16" flat washers and 5/16" lock nuts, in the orientation shown.
- Repeat for a total of 4 times.
- TIGHTEN.



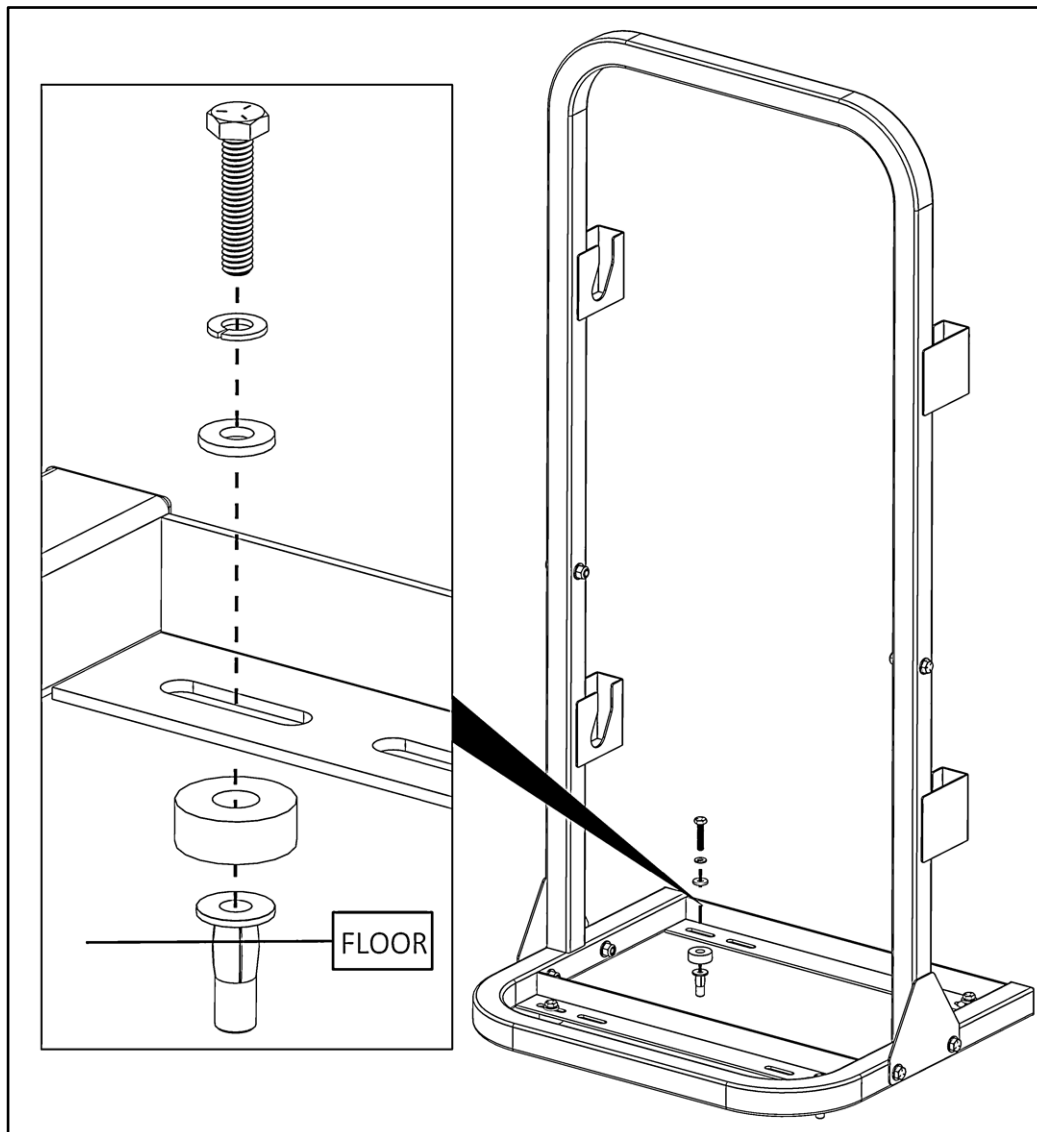
Step 2 – Determine Location

- Place reel holder into the vehicle in the desired location. Ensure it is a safe place to drill into the floor in the four locations shown below on the reel holder.
- If the reel holder sits on top of a ridge in the floor, use a nylon spacer to take up the vacant space underneath the base to provide a rigid mount.
- Mark the floor through the slots in the reel holder in the desired locations.



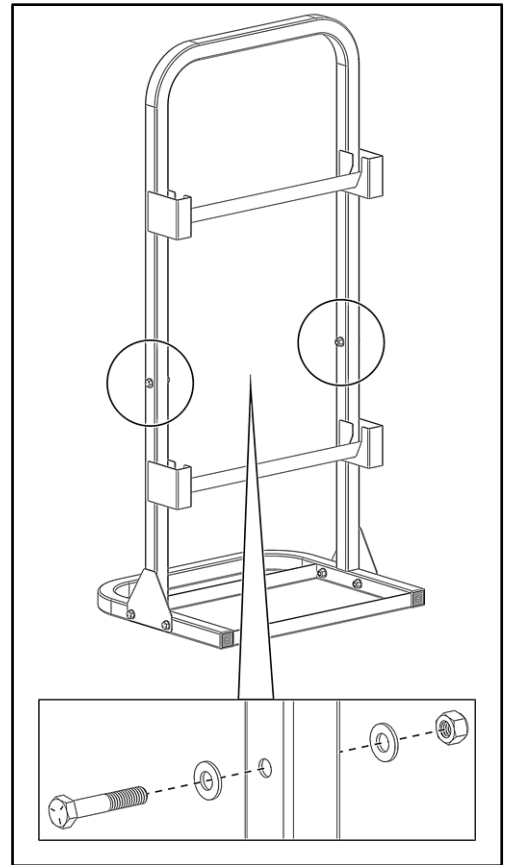
Step 3 – Install

- Remove the reel holder.
- Drill with a 25/64" bit. **ENSURE SAFETY PRIOR TO DRILLING, USE A DRILL STOP.**
- Install the plus nuts.
- Place the reel holder on top of the installed plus nuts and attach using 1/4" x 1-1/4" hex heads, 1/4" split lock washers and 1/4" flat washers. Use the nylon washer underneath the reel holder if needed.
- Tighten into the plusnut.



Step 4 – Install Tubes

- Place reel tubes in place.
- Use the remaining hardware and the holes in the reel hoop to attach to a partition, shelf unit or support brackets to provide ultimate installation strength.



**GO BACK AND TIGHTEN ALL
HARDWARE.**

INSTALLATION IS COMPLETE.

