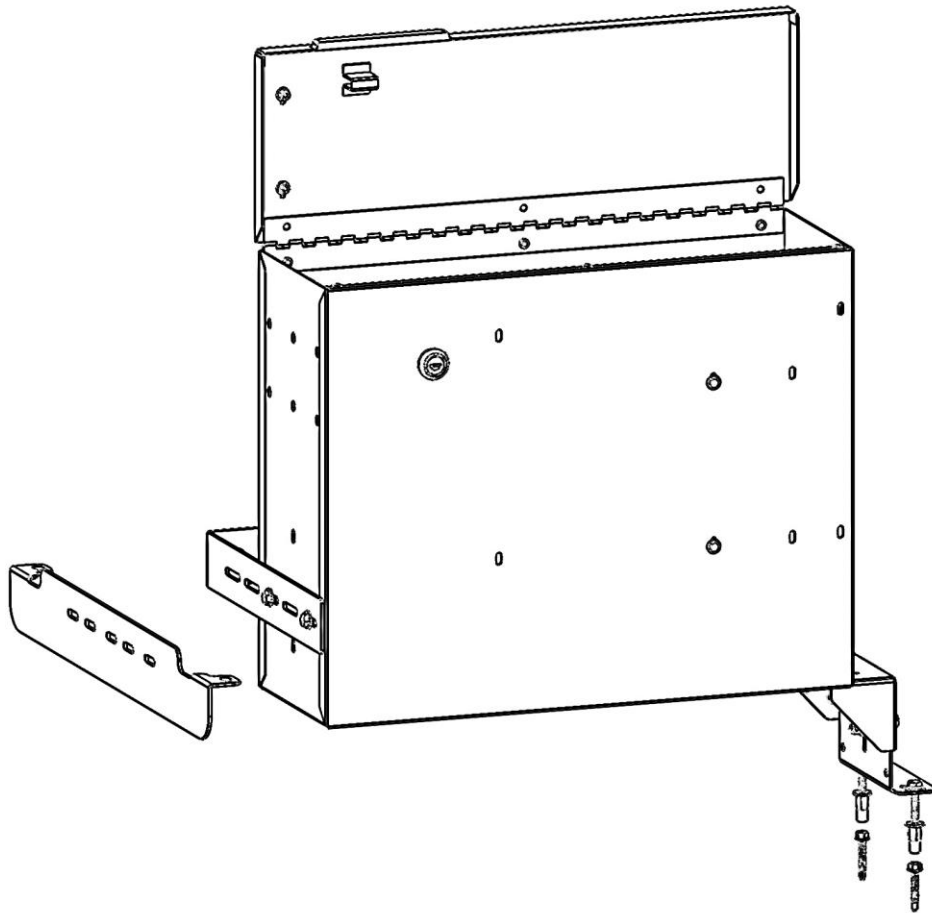


Holman

Instruction Guide 40240



Holman
Rancho Cordova, CA 95742
800-343-7486

InstallationSupport@Holman.com

PLEASE READ ALL INSTRUCTIONS AND WARNINGS PRIOR TO ASSEMBLING, INSTALLING, AND USING THIS PRODUCT.

Warning



Always check for wires, fuel tanks and lines, brake lines and other important vehicle functionality items prior to drilling and installing all products.

Tools Needed

7/16" Socket and Wrench	7/16", 9/16" Box Wrenches
3/8" Nut Driver Bit	17/64", 25/64" Drill Bit
Drill Bit Stop Collar	Plus Nut Installation Tool (P9902)*
Drill	T45 Torx Bit**
#2 Phillips Screwdriver***	T20 Torx Bit***

**Sold separately.*

*** Required for Ford Transit*

****Required for Ram ProMaster*

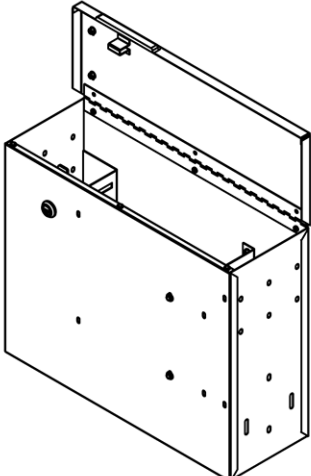
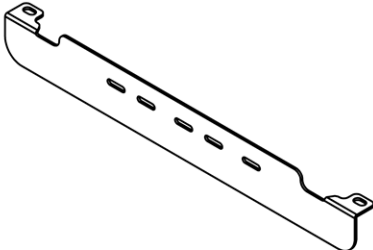
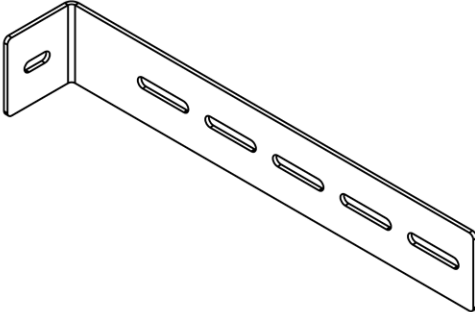
Table of Contents

Before You Begin	2
Parts	2
Parts (continued).....	3
Hardware.....	3
Step 1 – Attach Upper Pedestal Mount.....	4
Step 2 – Attach Lower Pedestal Mount.....	4
Step 3 – Attach Front Mount.....	5
Step 3A – Attach Front Mount to Van Seat Frames – Transit.....	5
Step 3B – Attach Front Mount to Van Seat Frame – ProMaster.....	5
Step 3C – Attach Front Mount to Data File – Sprinter	6
Step 4 – Prepare for Installation.....	6
Step 5 – Install Plus Nuts into Floor	7
Step 6 – Install Data File.....	7
Step 6A – Install Data File – Transit/ProMaster.....	7
Step 6B – Install Data File – Sprinter	8

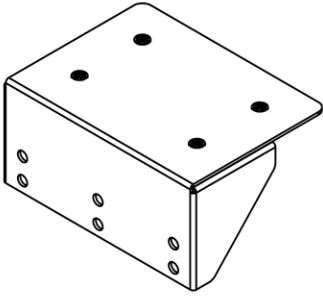
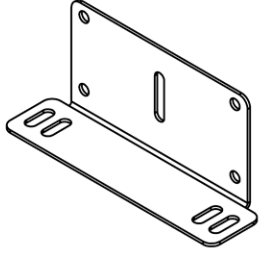
Before You Begin

- Read all instructions prior to assembling or installing any Holman product.
- **Always locate your installation locations prior to performing any work.**
- **ENSURE SAFETY WHILE INSTALLING OR DRILLING INTO VEHICLE. Be sure to check installation location prior to drilling or screwing into the vehicle. Use a drill bit stop collar to maintain appropriate drill depth.**
- **Plus Nut Installation Tool Kit P9902 is not included and must be purchased separately.**
- **Additional self-drilling hardware has been added as an installation alternative. The installation of plus nuts is the recommended installation method.**

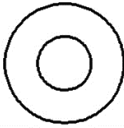


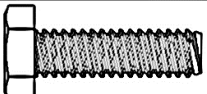
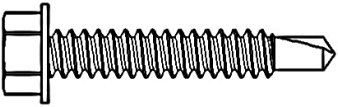
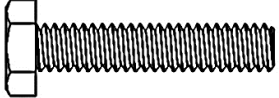
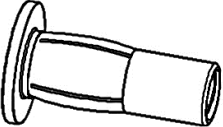
Parts

NO.	ITEM	PART NUMBER	DESCRIPTION	QTY.
1		40240-10	DRIVER DATA FILE	1
2		101068	TRANSIT SEAT MOUNT	1
3		101398	FRONT MOUNT	1

Parts (continued)

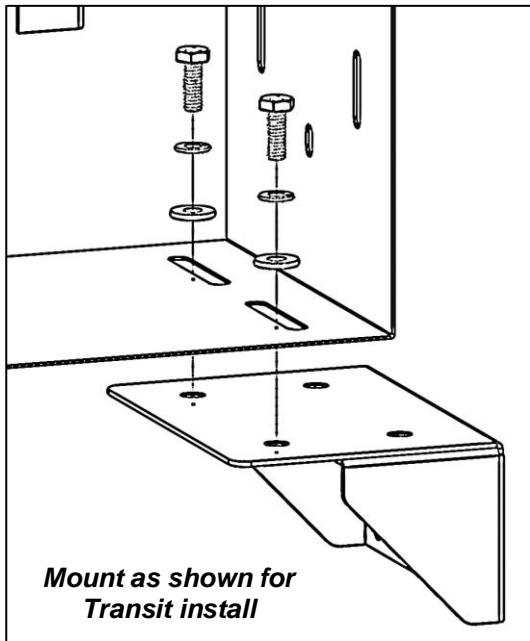
NO.	ITEM	PART NUMBER	DESCRIPTION	QTY.
4		101401	UPPER PEDASTAL MOUNT	1
5		101402	LOWER PEDASTAL MOUNT	1
6		18-00567	HARDWARE KIT	1

Hardware

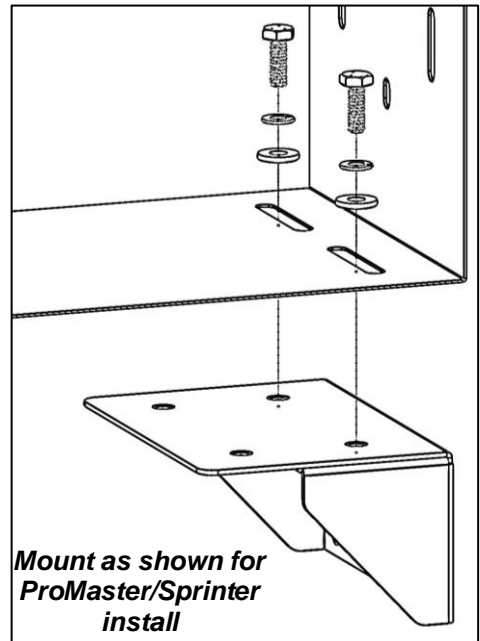
ITEM	HARDWARE TO SCALE	PART NUMBER	DESCRIPTION	QTY.
1		33078	1/4" FLAT WASHER	18
2		33618	1/4" LOCK WASHER	5
3		37018	1/4"-20 NYLON INSERT LOCK NUT	7
4		13003	1/4"-20 X 3/4" HEAD HEAD BOLT	9
5		90064A709	1/4" X 1-1/2" SELF-DRILLING SHEET METAL SCREW	3
6		13800	1/4"-20 X 1-1/4" HEX HEAD BOLT	2
7		920313726	1/4"-20 PLUS NUT	2

Step 1 – Attach Upper Pedestal Mount

- Using two 1/4" x 3/4" hex bolt, two 1/4" lock washers and two 1/4" flat washers, bolt upper pedestal mount to main data file assembly, as shown.
- Snug tighten but allow for movement.

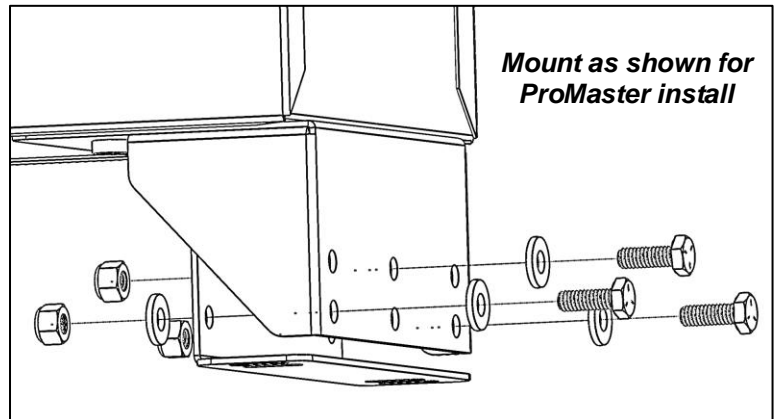
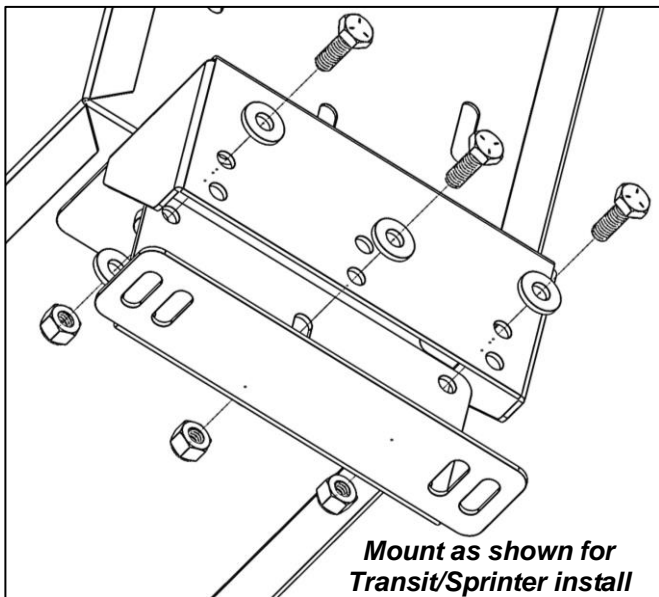


*Cut-away view shown
for clarity.*



Step 2 – Attach Lower Pedestal Mount

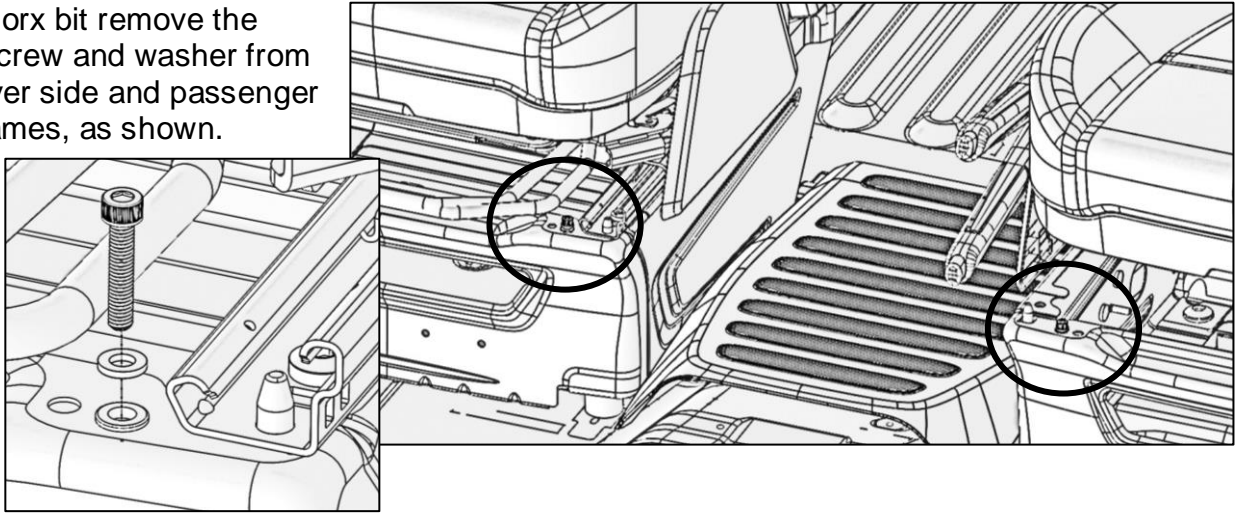
- Using three 1/4" x 3/4" hex bolt, six 1/4" flat washers, and three 1/4" lock nuts bolt lower pedestal mount to upper pedestal mount, as shown.



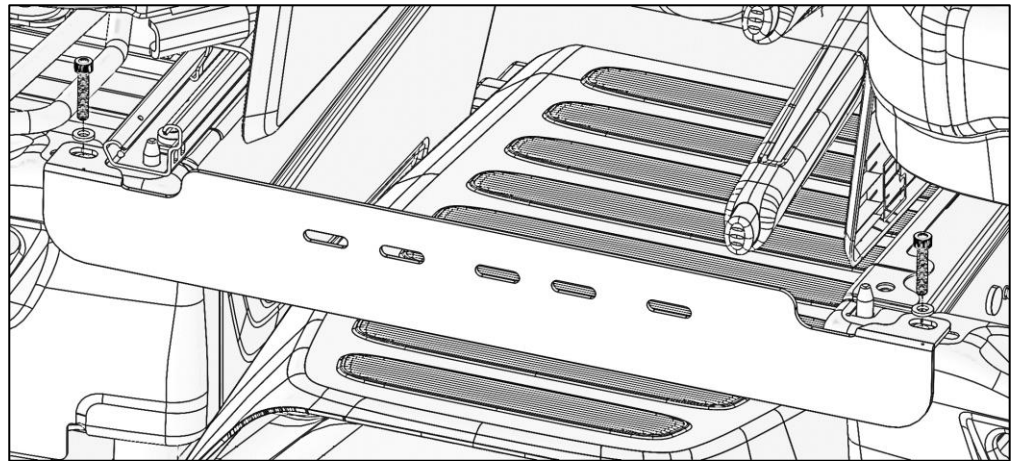
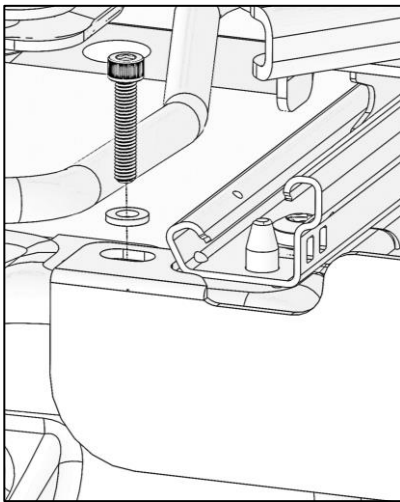
Step 3 – Attach Front Mount

Step 3A – Attach Front Mount to Van Seat Frames – Transit

- Using T45 Torx bit remove the Torx head screw and washer from both the driver side and passenger side seat frames, as shown.

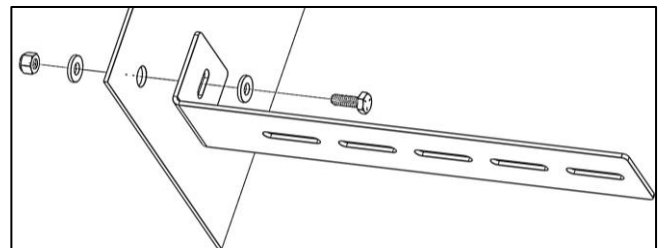


- Using the previously removed Torx head screws, bolt the Transit seat mount to both the driver side and passenger side seat frames.
- Snug tighten but allow for movement.



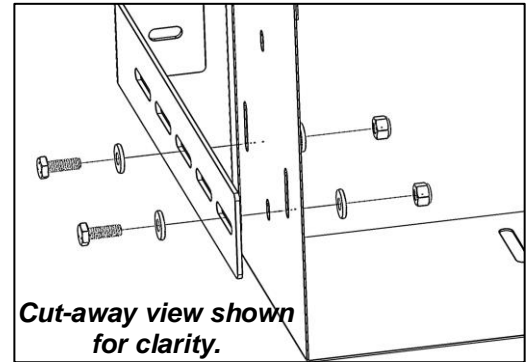
Step 3B – Attach Front Mount to Van Seat Frame – ProMaster

- Remove two Phillip's head screws and plastic seat belt cover on passenger seat.
- Using T20 Torx bit remove three Torx head screws and plastic cover on passenger seat frame. Discard plastic cover.
- Reinstall plastic seat belt cover and two Phillip's head screws.
- Using one 1/4" x 3/4" hex bolt, two 1/4" flat washers, and one 1/4" lock nut, bolt front mount to existing hole in passenger seat frame.
- Snug tighten but allow for movement.



Step 3C – Attach Front Mount to Data File – Sprinter

- Bolt the front mount to the front of the main assembly using two 1/4" x 7/8" hex bolt, four 1/4" flat washers and two 1/4" lock nuts.
- Snug tighten but allow for movement.



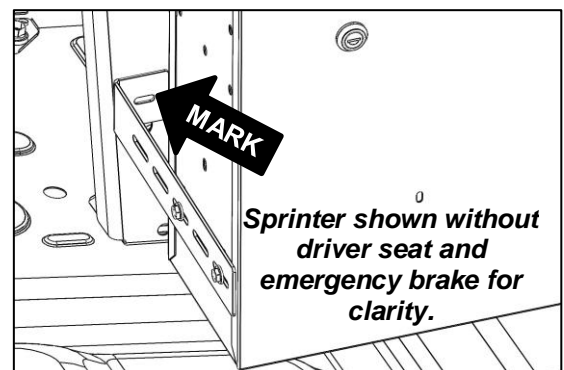
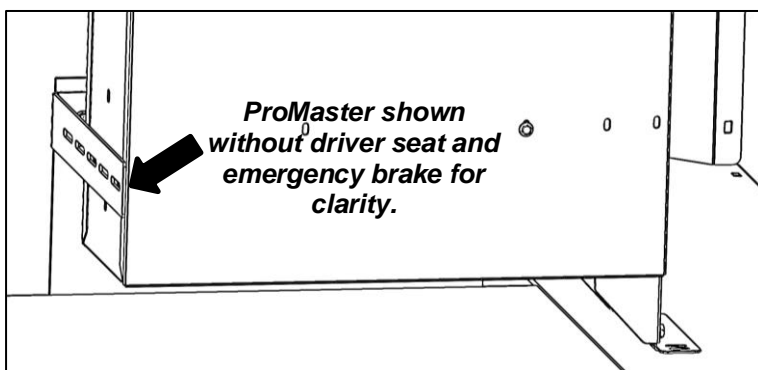
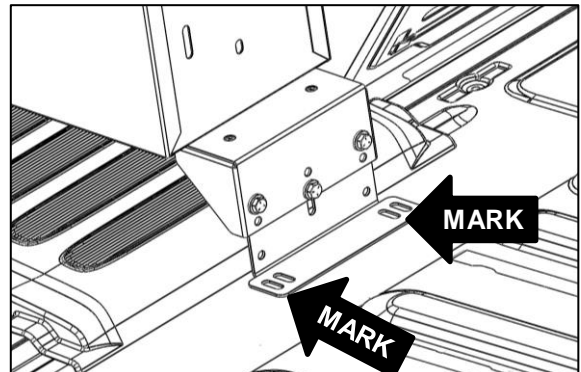
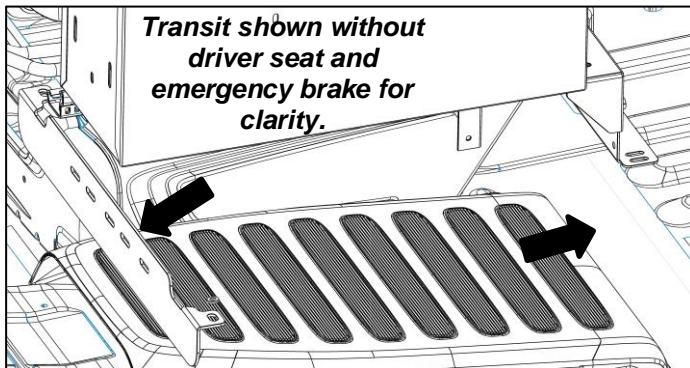
Step 4 – Prepare for Installation

! If Sprinter is equipped with secondary battery located under passenger seat, we recommend temporarily removing before drilling and installing the front mount.

- Place data file into van.
- Put in between seats against front mount with holes in front aligned. **Be sure data file is snugly against the passenger side and the lower pedestal mount is sitting flat on van floor or partition.**
- Mark two slots in the lower pedestal mount onto the floor, in some applications slots may align with existing holes in van floor otherwise use furthest outside holes for mounting.

Note: On Sprinter only you will need to mark and drill a 17/64" hole for the front mount.

- Remove assembly.

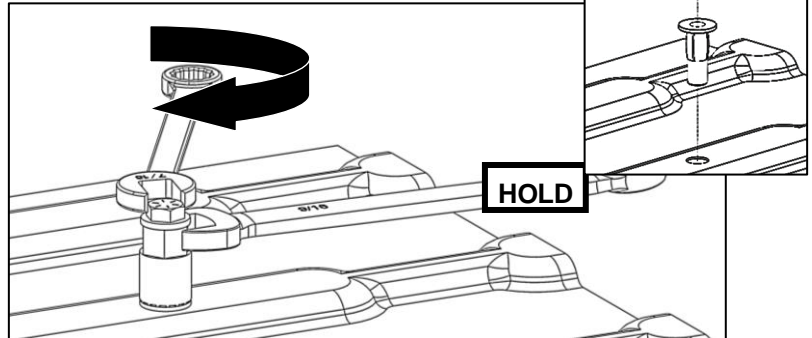


Step 5 – Install Plus Nuts into Floor



DO NOT drill beyond depth of floor or upper installation surface. Always check for wires, fuel tanks and lines, brake lines and other important vehicle functionality items prior to drilling and installing all products.

- At each marked location **IN THE FLOOR**, drill hole using 25/64" drill bit and appropriate sized drill-bit stop collar. If 25/64" drill bit is not available, a 3/8" drill bit can be used, although it may be necessary to tap in the plus nuts.
- Insert 1/4" x 2-1/4" hex head bolt through 1/4" flat washer and plus nut installation tool, and then screw bolt into plus nut. Knurled end of plus nut tool must be directed away from bolt head and contacting plus nut.
- Insert plus nut into hole with plus nut tool attached.

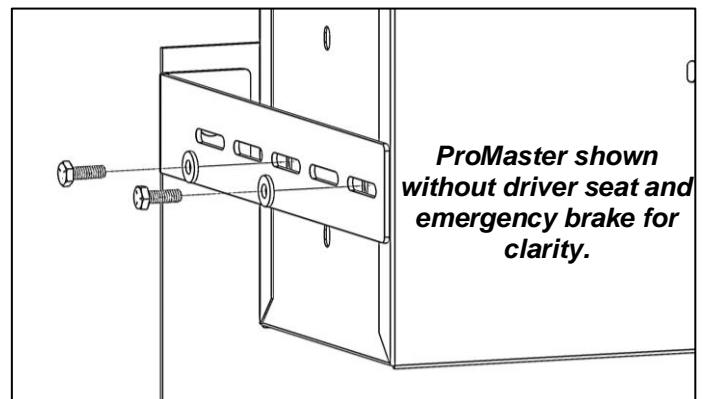
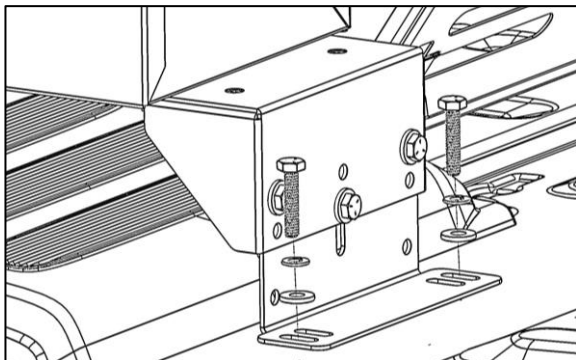
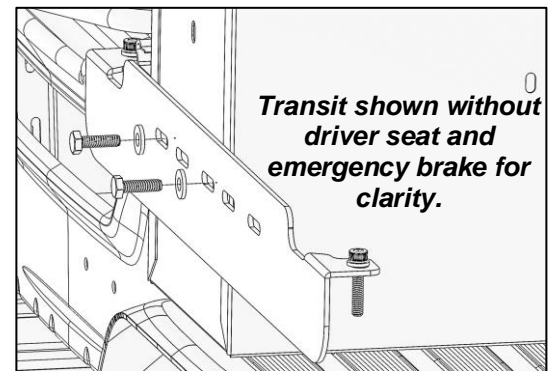


- Using the 9/16" box wrench, hold the plus nut tool stationary and then tighten hex head bolt until plus nut is tightly gripping and does not spin when hex bolt is loosened.
- DO NOT overtighten plus nut.
- Using the 9/16" box wrench, hold the plus nut tool stationary to remove the plus nut tool.

Step 6 – Install Data File

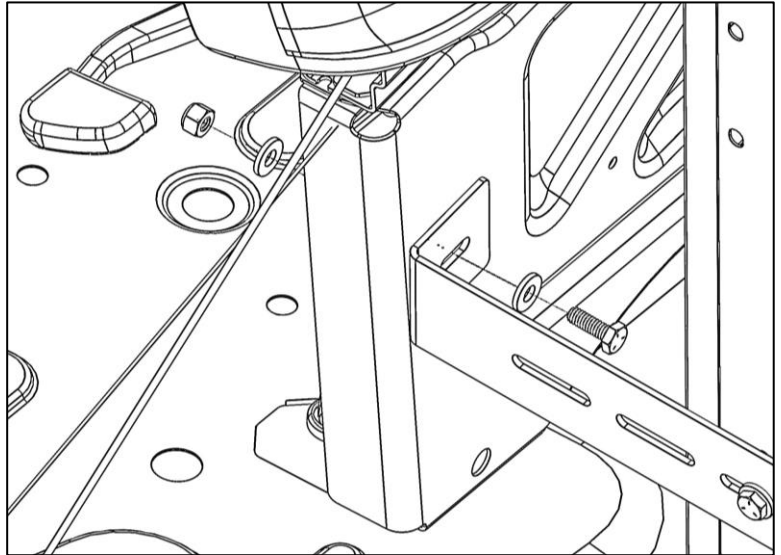
Step 6A – Install Data File – Transit/ProMaster

- Bolt the front mount to the front of the main assembly using two 1/4" x 7/8" hex bolts, four 1/4" flat washers and two 1/4" lock nuts.
- Snug tighten but allow for movement.
- Using two 1/4" x 1-1/4" hex head bolts, 1/4" lock washers, and 1/4" flat washers, bolt through data file with rear mount into previously installed plus nuts in floor.
- Snug tighten but allow for movement.

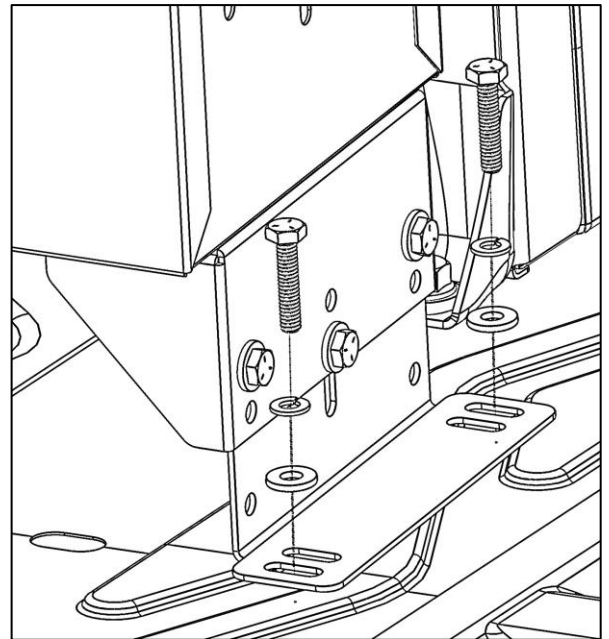


Step 6B – Install Data File – Sprinter

- Bolt the front bracket to the passenger seat pedestal using one 1/4" x 7/8" hex bolt, two 1/4" flat washers and one 1/4" lock nut.
- Snug tighten but allow for movement.



- Using two 1/4" x 1-1/4" hex head bolts, 1/4" lock washers, and 1/4" flat washers, install data file with rear mounting bracket to plus nuts in floor.
- Snug tighten but allow for movement.



GO BACK AND TIGHTEN ALL HARDWARE.

INSTALLATION IS COMPLETE.