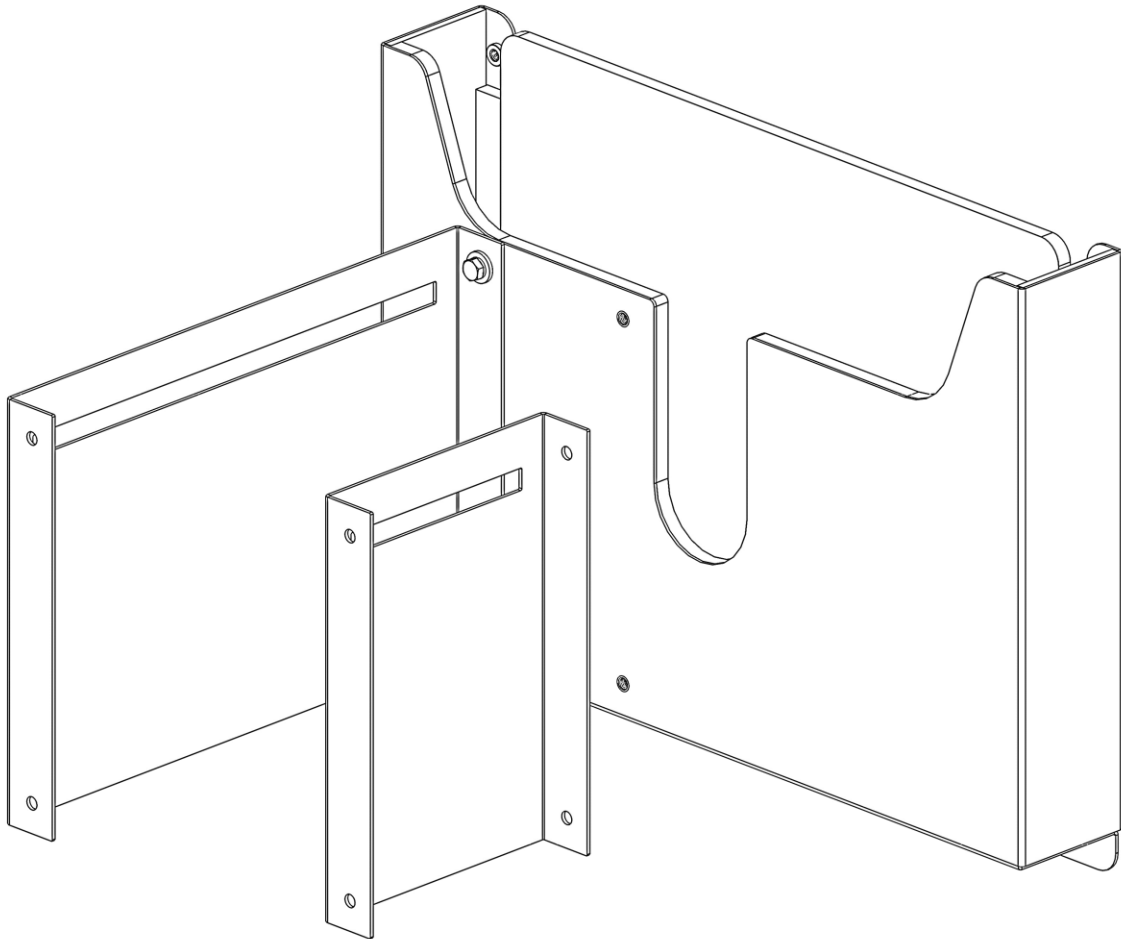


# Holman

---

## Installation Guide 40241

---



---

Holman  
Rancho Cordova, CA 95742  
800-343-7486  
[InstallationSupport@holman.com](mailto:InstallationSupport@holman.com)

**PLEASE READ ALL INSTRUCTIONS AND WARNINGS PRIOR TO ASSEMBLING, INSTALLING, AND USING THIS PRODUCT.**

**Warning**



Always check for wires, fuel tanks and lines, brake lines and other important vehicle functionality items prior to drilling and installing all products.

**Tools Needed**

5/16", 7/16" Socket and Wrench	3/8" Box Wrench
1/4" Drill Bit	Drill

**Table of Contents**

Before You Begin ..... 1

Parts List ..... 2

Hardware ..... 2

Step 1 – Installation Preparation ..... 3

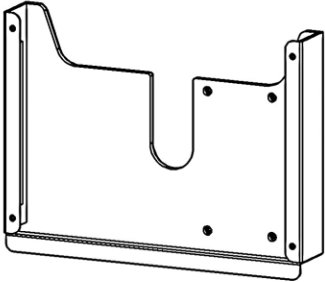
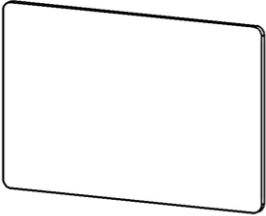
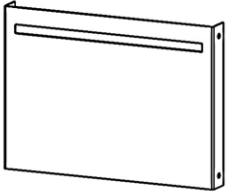
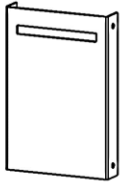
Step 2 – Drill Holes for Laptop Holder Installation (Older 40210 and 40240 models) ..... 4

Step 3 – Attach Laptop Holder to File Case ..... 5

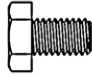
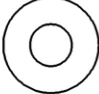

**Before You Begin**

- Read all instructions prior to assembling or installing any Holman product.
- **The laptop holder can be used with either 40210 or 40240. The images in these instructions depict installation into 40240. Installation into 40210 will be similar.**
- Have 40240 Driver Data File for Transit and ProMaster, or 40210 Driver Data File for GM already assembled. Refer to instructions included with 40240 or 40210 for installation of those products.

## Parts List

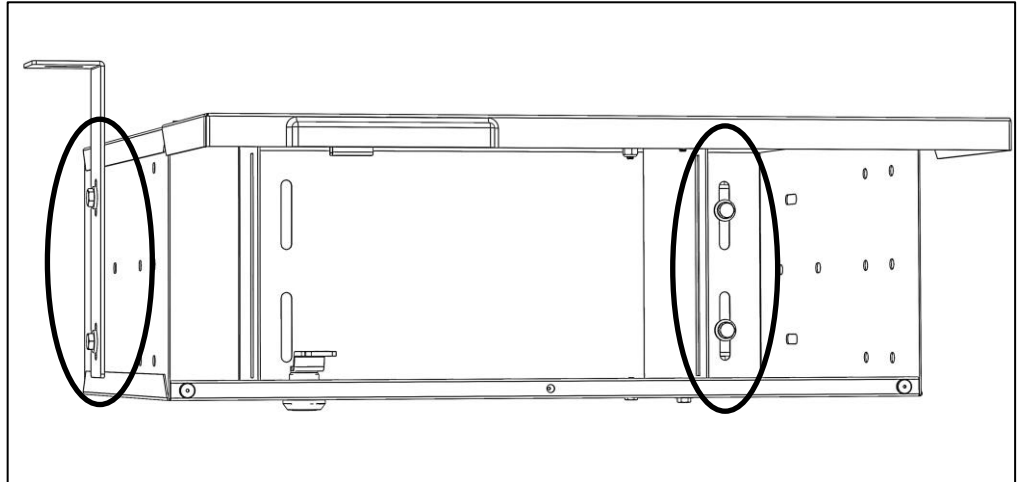
ITEM NO.	ITEM	PART NUMBER	DESCRIPTION	QTY.
1		100692	LAPTOP HOLDER	1
2		100693	LAPTOP PAD	1
3		100734	WIDE FILE HANGER	1
4		100735	THIN FILE HANGER	1
5		18-40241	ASSEMBLY BOLT KIT	1

## Hardware

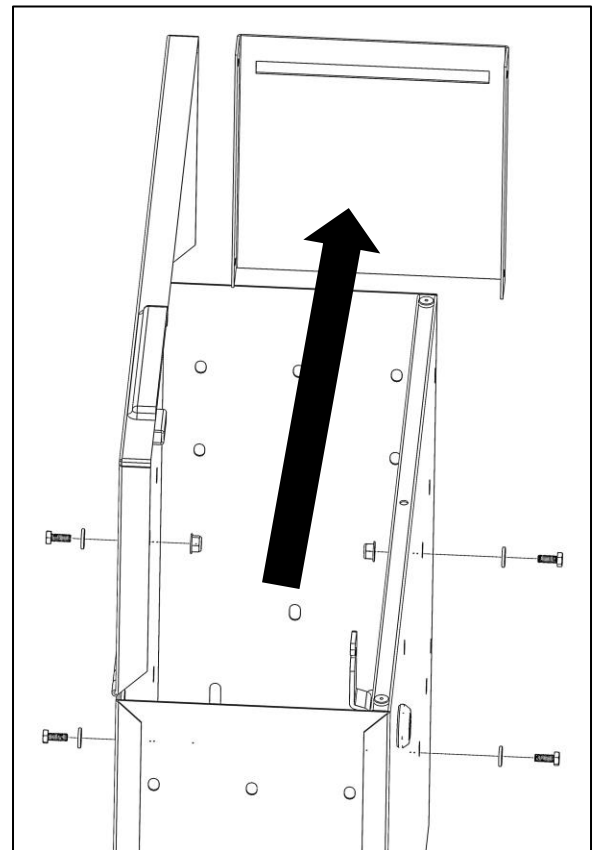
ITEM	HARDWARE TO SCALE	PART NUMBER	DESCRIPTION	QTY.
1		0170699	10-32 X 5/16 HEX HEAD BOLT	6
2		33074	#10 FLAT WASHER	6
3		0123492	#10 LOCKING WASHER	6

## Step 1 – Installation Preparation

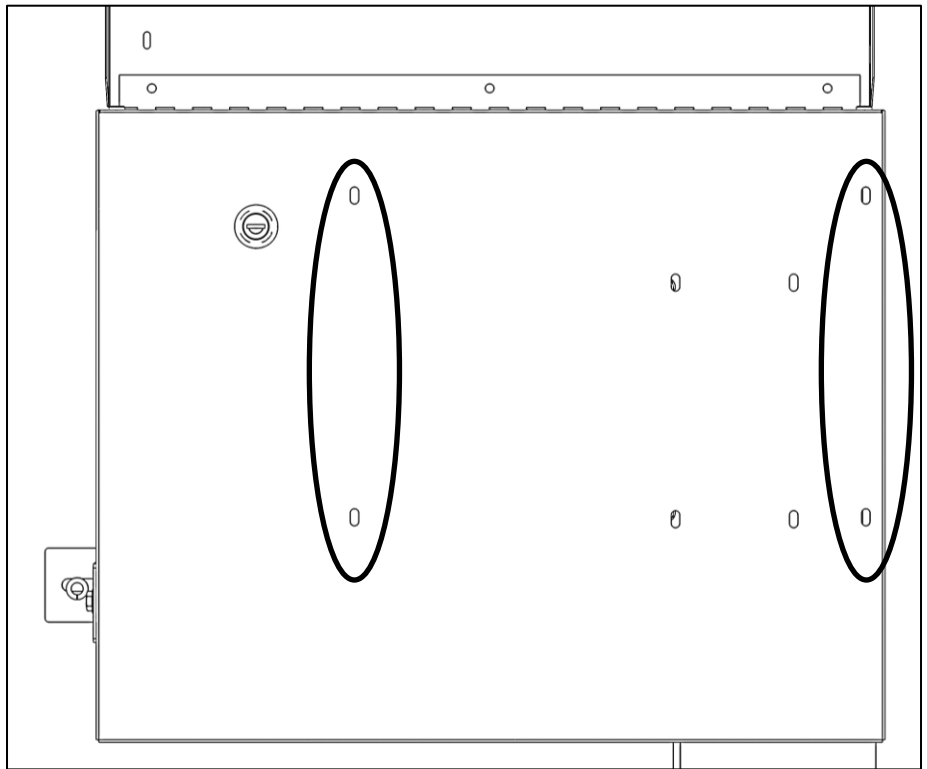
- Remove data file case from vehicle by removing the bolts in the location indicated as shown.
- Set bolts aside for reinstallation.



- Remove the file hanger bracket from 40210 or 40240.
- Set bolts aside for later use.



Older versions of data file case do not have predrilled holes for drill free installation. If your data file case DOES NOT have the holes installed as shown, proceed to Step 2. Otherwise, skip to Step 3.

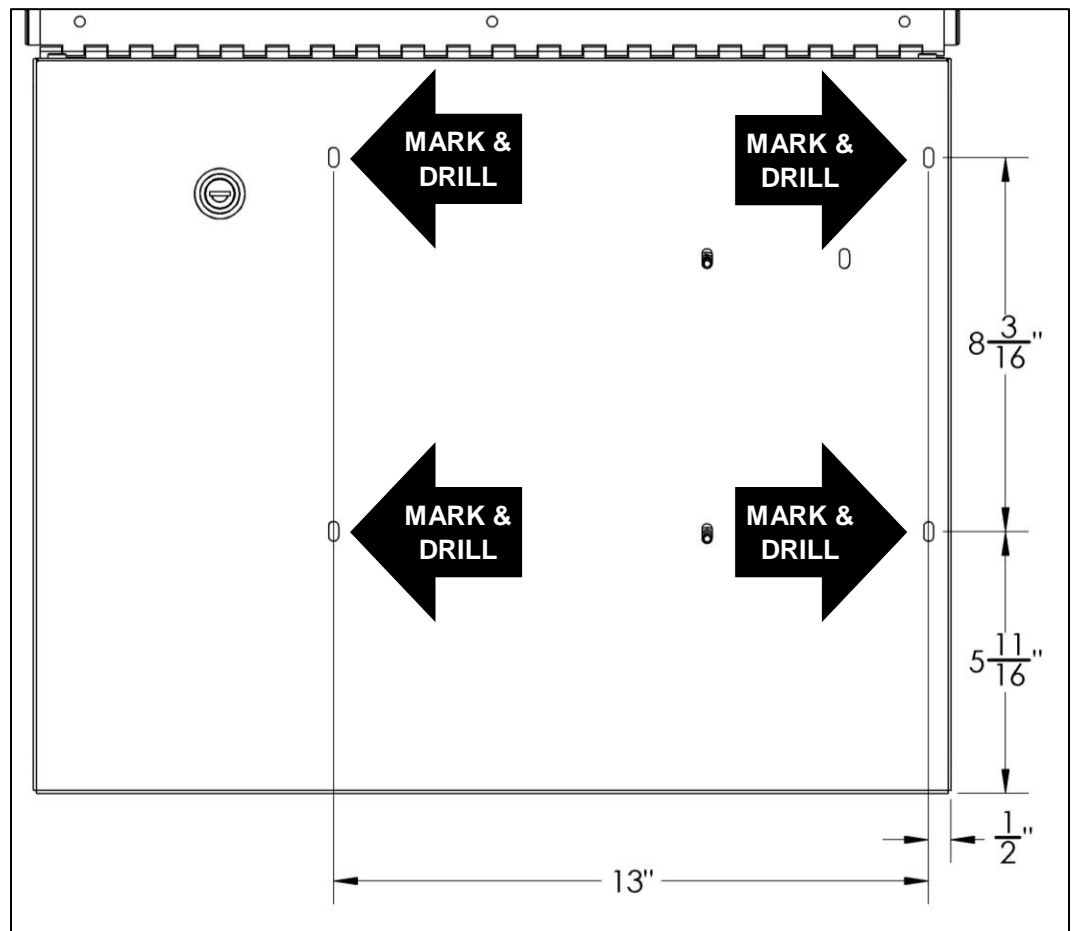


## Step 2 – Drill Holes for Laptop Holder Installation (Older 40210 and 40240 models)

- On the side with the lock, mark and center punch the following locations.

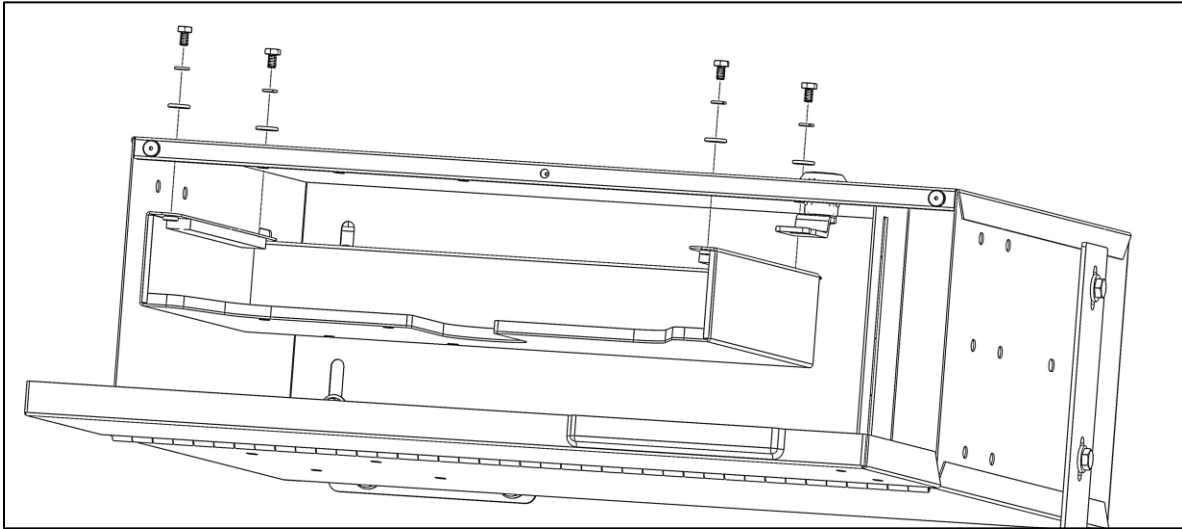
**NOTE: Be sure location to be drilled is clear of the lock.**

- Using a 1/4" drill bit, drill holes in marked locations.

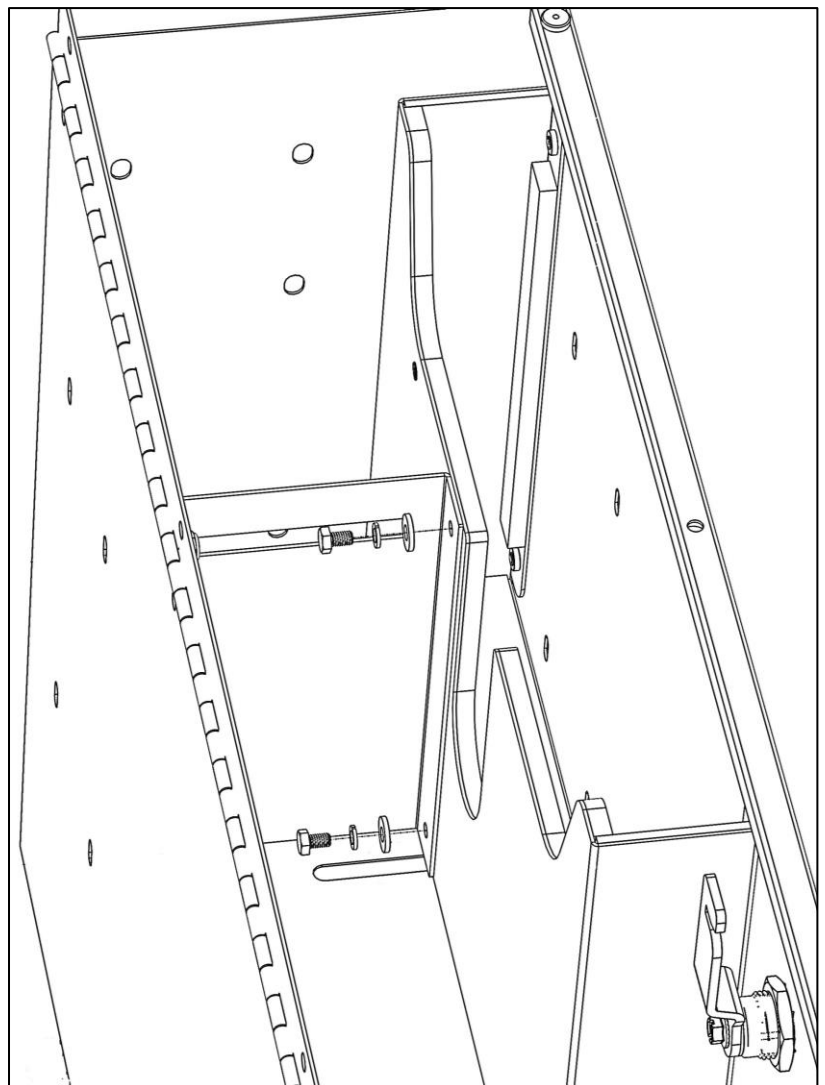


## Step 3 – Attach Laptop Holder to File Case

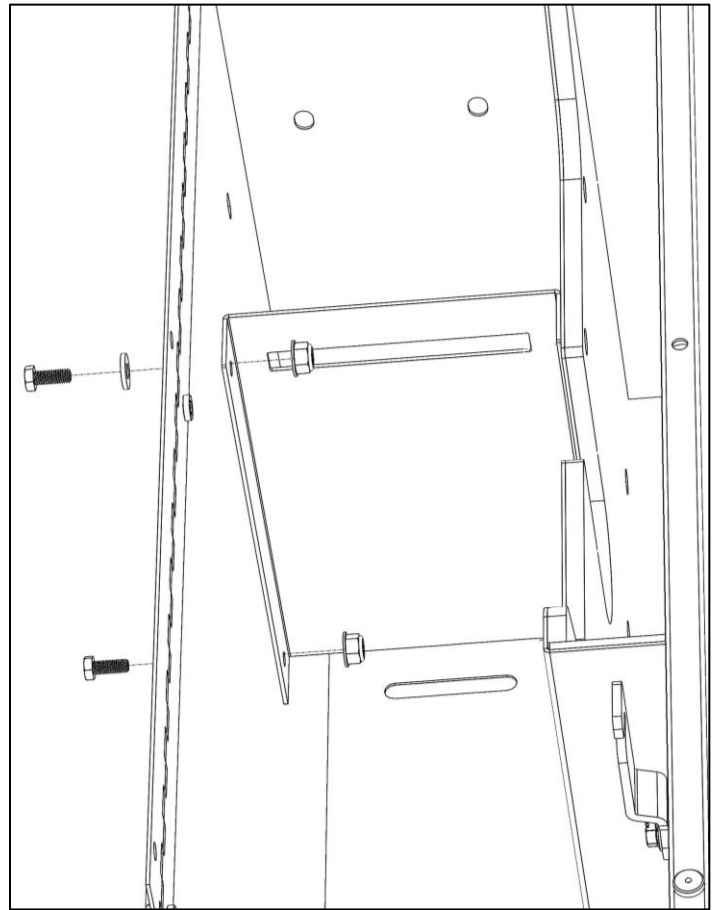
- Using four #10 x 5/16" hex head bolts, four #10 lock washers, and four #10 washers, bolt the laptop holder to the data file case.



- Using two #10 x 5/16" hex head bolts, two #10 lock washers, and two #10 washers, bolt the new file hanger to the laptop holder.



- Using two of the #10 bolts, two #10 washers, and two #10 lock nuts removed from the original file hanger, bolt the new file hanger to the data file case.
- Tighten hardware.



- Verify fit of laptop.
- If the laptop is loose fitting or additional padding is required to keep computer from rattling around, remove plastic sheet covering sticky side of laptop pad and install laptop pad against the inside wall of the data file case.
- Reinstall data file case using previously removed hardware.

**GO BACK AND ENSURE ALL  
HARDWARE IS TIGHTENED.**

**INSTALLATION IS COMPLETE.**

