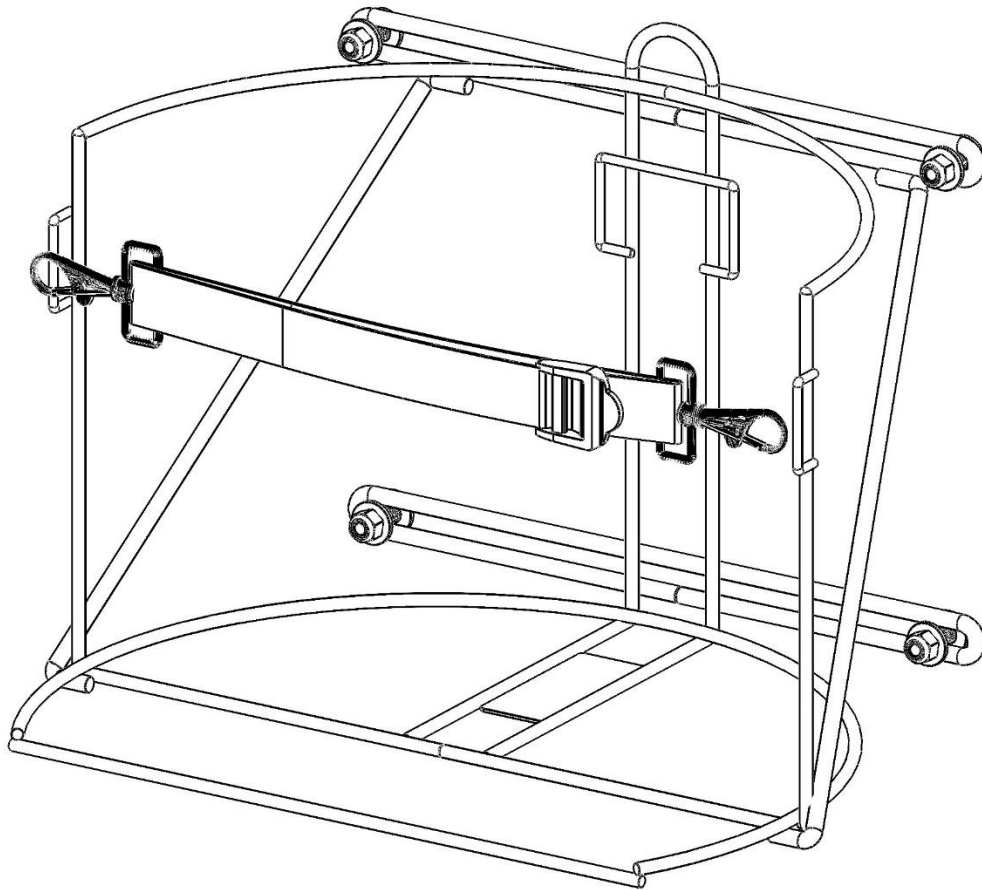


Holman

Instruction Guide 40300



Holman
Rancho Cordova, CA 95742
800-343-7486
InstallationSupport@Holman.com

PLEASE READ ALL INSTRUCTIONS AND WARNINGS PRIOR TO ASSEMBLING, INSTALLING, AND USING THIS PRODUCT.

Warning



Always check for wires, fuel tanks and lines, brake lines and other important vehicle functionality items prior to drilling and installing all products.



Secure all payloads properly for safe transportation.

Tools Needed

7/16" Socket and Wrench	7/16" Box Wrench
1/4" Drill Bit	Drill

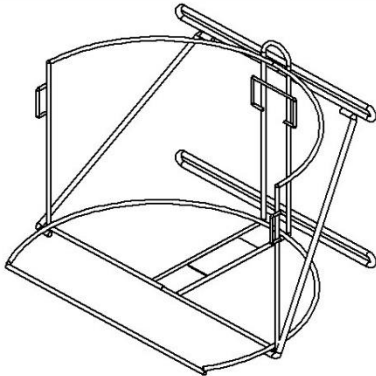

Table of Contents

Tools Needed	1
Before You Begin	1
Parts List.....	1
Hardware	2
Step 1 – Determine Mounting Location	2
Step 2 – Install.....	2

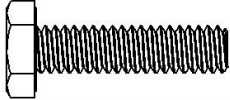

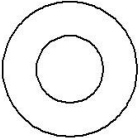
Before You Begin

- Read all instructions prior to assembling or installing any Holman product.
- **Always locate your installation locations prior to performing any work.**
- **ENSURE SAFETY WHILE INSTALLING OR DRILLING INTO VEHICLE.**

Parts List

NO.	ITEM	PART NUMBER	DESCRIPTION	QTY.
1		40300-10	WIRE WATER JUG HOLDER	1
2		100680	1IN NYLON STRAP W/ SWIVEL HOOKS	1
3		18-40300	HARDWARE KIT	1

Hardware

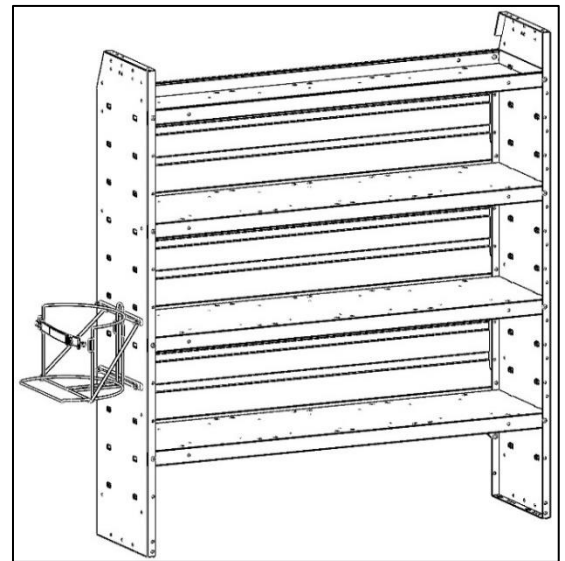
ITEM	HARDWARE TO SCALE	PART NUMBER	DESCRIPTION	QTY.
1		110120304	1/4-20 X 1" HEX HEAD BOLT	4
2		37018	1/4"-20 NYLON INSERT LOCK NUT	4
3		90126A030	5/16" FLAT WASHER	8

DO NOT EXCEED MANUFACTURERS WEIGHT CAPACITY FOR ROOF!

Step 1 – Determine Mounting Location

NOTE: This product can be mounted at many different locations in the van, however there are some pre-drilled holes in the shelf end panels of Holman shelf units.

- Place in desired location and be sure to level and square.
- If not installing in a location with pre-drilled holes, mark the 4 bolt locations.
- Drill marked locations using a 1/4" drill bit. **ENSURE SAFETY PRIOR TO DRILLING.**



Step 2 – Install

- Using four 1/4 X 1", eight 5/16" flat washers, and four 1/4" lock nuts, bolt wire water jug holder to the desired mounting location using the holes drilled in the previous step.

**GO BACK AND
TIGHTEN ALL
HARDWARE.**

**INSTALLATION IS
COMPLETE.**

