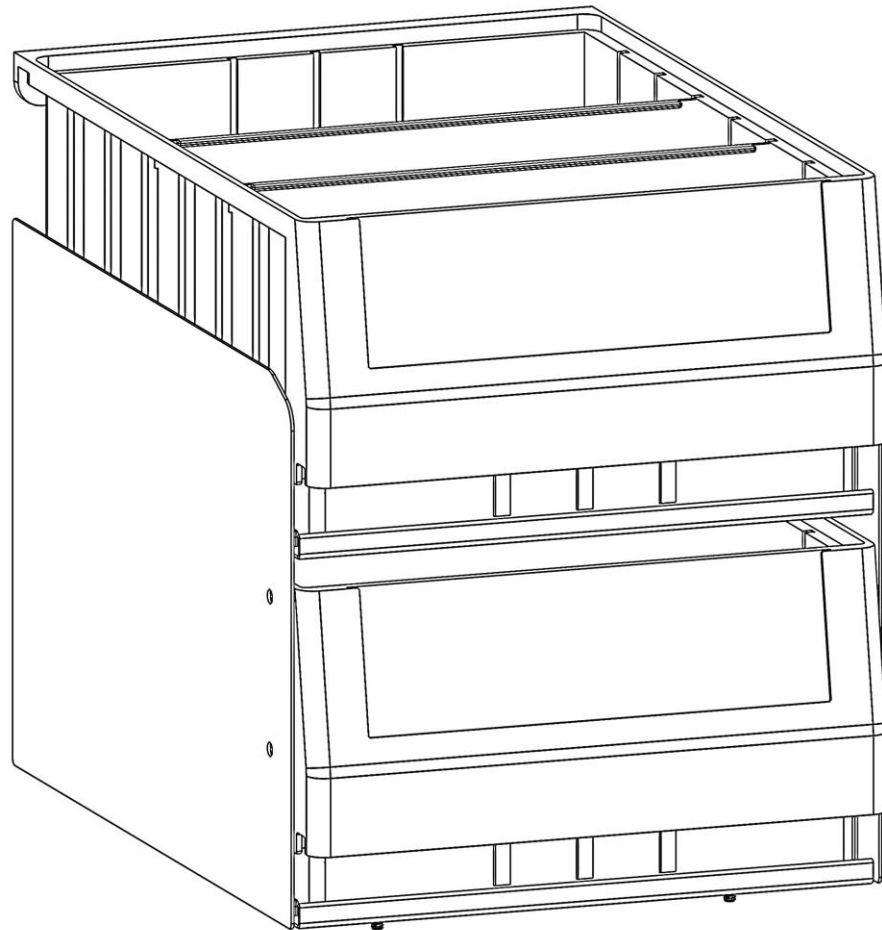


# Holman

---

## Instruction Guide 40342

---



---

Holman  
Rancho Cordova, CA 95742  
800-343-7486  
InstallationSupport@holman.com

---

**PLEASE READ ALL INSTRUCTIONS AND WARNINGS PRIOR TO ASSEMBLING, INSTALLING, AND USING THIS PRODUCT.**

**Tools Needed**

5/16" Socket and Wrench	1/8" Hex Key Wrench
-------------------------	---------------------

**Table of Contents**

Before You Begin ..... 1

Parts ..... 1

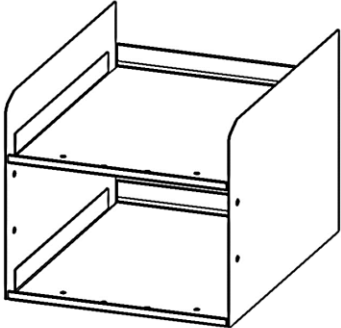
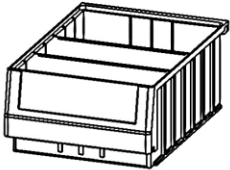
Hardware ..... 2

Install Shelf Cabinet ..... 2


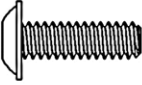
**Before You Begin**

- Read all instructions prior to assembling or installing any Holman product.
- **Always locate your installation locations prior to performing any work.**
- **ENSURE SAFETY WHILE INSTALLING OR DRILLING INTO VEHICLE.**

**Parts**

NO.	ITEM	PART NUMBER	DESCRIPTION	QTY.
1		101052	SHELF CABINET FOR LARGE PARTS BINS	1
2		40311	LARGE PLASTIC BIN EXT W/ DIVIDERS	2
3		18-40340	MOUNTING HARDWARE	1

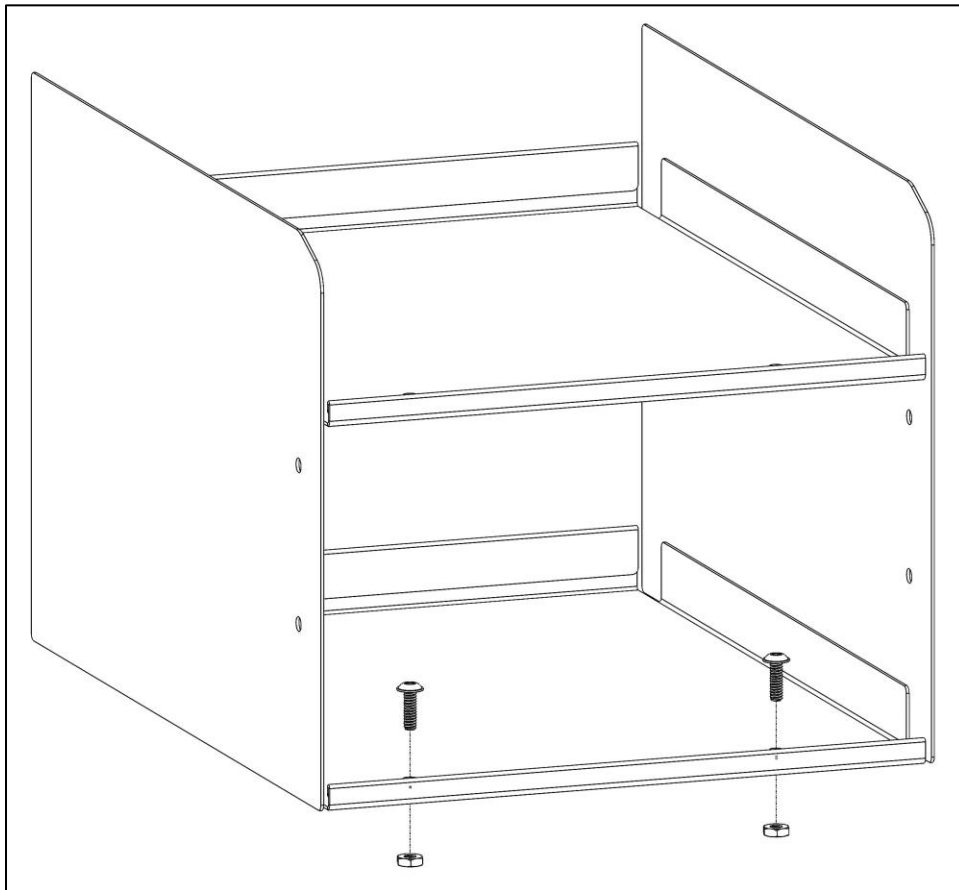
## Hardware

ITEM	HARDWARE TO SCALE	PART NUMBER	DESCRIPTION	QTY.
1		11104510	#10-24 HEX NUT	2
2		91355A120	10-24 X 5/8" FLANGED BUTTON HEAD SCREW	2

## Install Shelf Cabinet

The holes in bottom of cabinet correspond to holes in Holman shelves.

- Determine installation location.
- Position shelf cabinet in desired installation location.
- Using #10 x 5/8" button head screws and #10 hex nuts, fasten cabinet to shelf.
- Tighten.



**INSTALLATION IS COMPLETE.**