

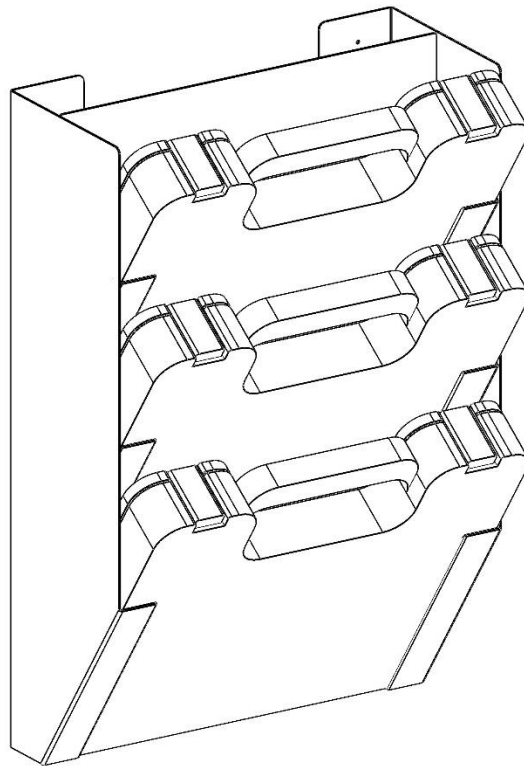
# Holman

---

## Installation Guide

### 40370

---



---

Holman  
Rancho Cordova, CA 95742  
800-343-7486

[InstallationSupport@Holman.com](mailto:InstallationSupport@Holman.com)

## PLEASE READ ALL INSTRUCTIONS AND WARNINGS PRIOR TO ASSEMBLING, INSTALLING, AND USING THIS PRODUCT.

### Warning



Always check for wires, fuel tanks and lines, brake lines and other important vehicle functionality items prior to drilling and installing all products.

### Tools Needed

5/16" Drill Bit	Drill
#2 Phillips Screwdriver	

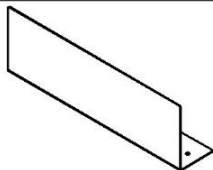
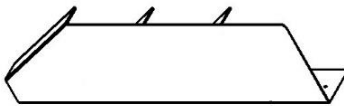
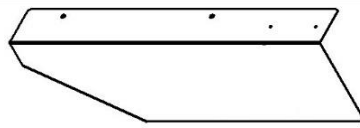
### Table of Contents

Parts List .....	1
Hardware List .....	1
Step 1 – Assembly .....	2
Step 2 – Installation .....	2
Step 3 – Optional Installation .....	3

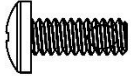
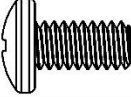
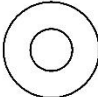
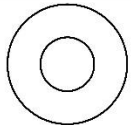
### Before You Begin

- Read all instructions.
- Ensure safety when drilling.

### Parts

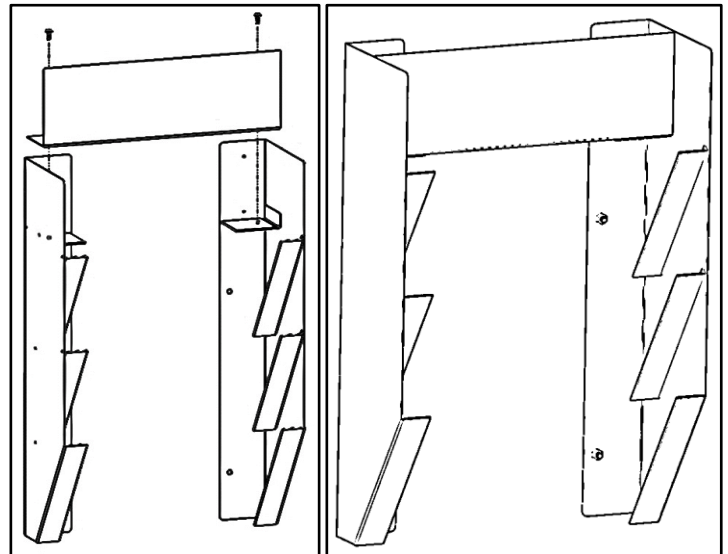
NO.	ITEM	PART NUMBER	DESCRIPTION	QTY.
1		40370-201	Tray	1
2		40370-802	One Side	1
3		Mirror40370-802	Mirror Side	1
4		18 - 40370	40370 HARDWARE KIT	1

## Hardware

ITEM	HARDWARE TO SCALE	PART NUMBER	DESCRIPTION	QTY.
1		0149489	10-24 X 1/2" PAN HEAD SCREW	2
2		72586	1/4"-20 X 1/2" PHILLIPS PAN HEAD SCREW	4
3		33074	#10 FLAT WASHER	2
4		33078	1/4" FLAT WASHER	4

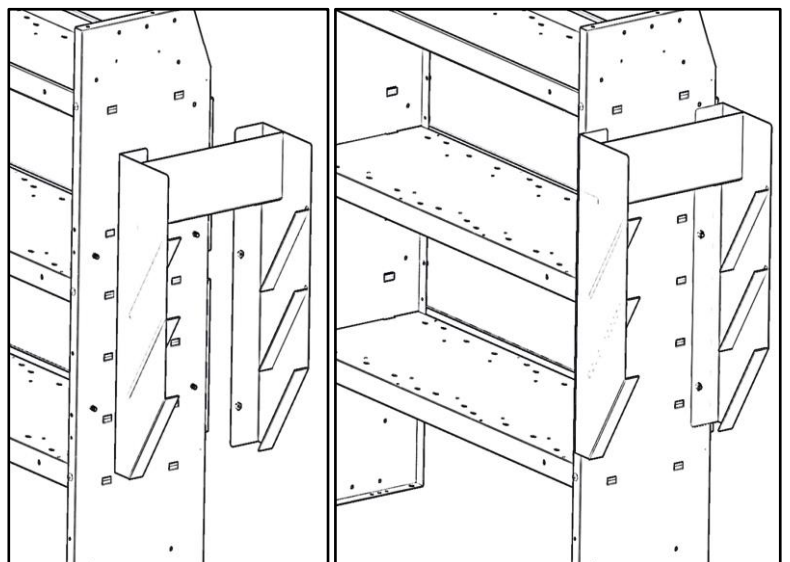
## Step 1 - Assembly

- Bolt all three pieces together as shown.
- Use #10 x 1/2" pan head screw and #10 flat washer to bolt into #10 nuts.
- Top tray, sits on top of each flange on sides.
- Snug tighten, but allow movement.



## Step 2 - Installation

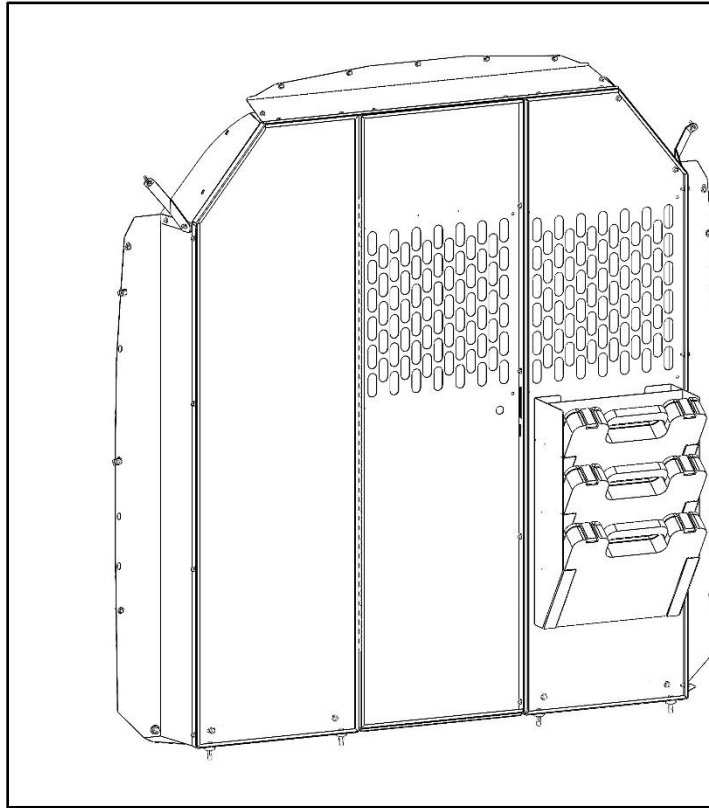
- Place previously assembled bin holder onto desired location.
- One can mount this part to multiple different places. These instructions show them being mounted to Holman 46" Shelf unit.
- Bolt through existing holes in shelf side panel using a 1/4" x 1/2" pan head screw and a 1/4" flat washer.
- Repeat on all four locations.



## **Step 3 – Optional Installation**

**Note: If desired, one can move location of where the unit is installed. Place assembly where desired, mark through the four holes.**

- Drill through the previously marked holes.
- Replace assembly and bolt the same way as in step 2.



**GO BACK AND TIGHTEN ALL HARDWARE.**

**INSTALLATION IS COMPLETE.**