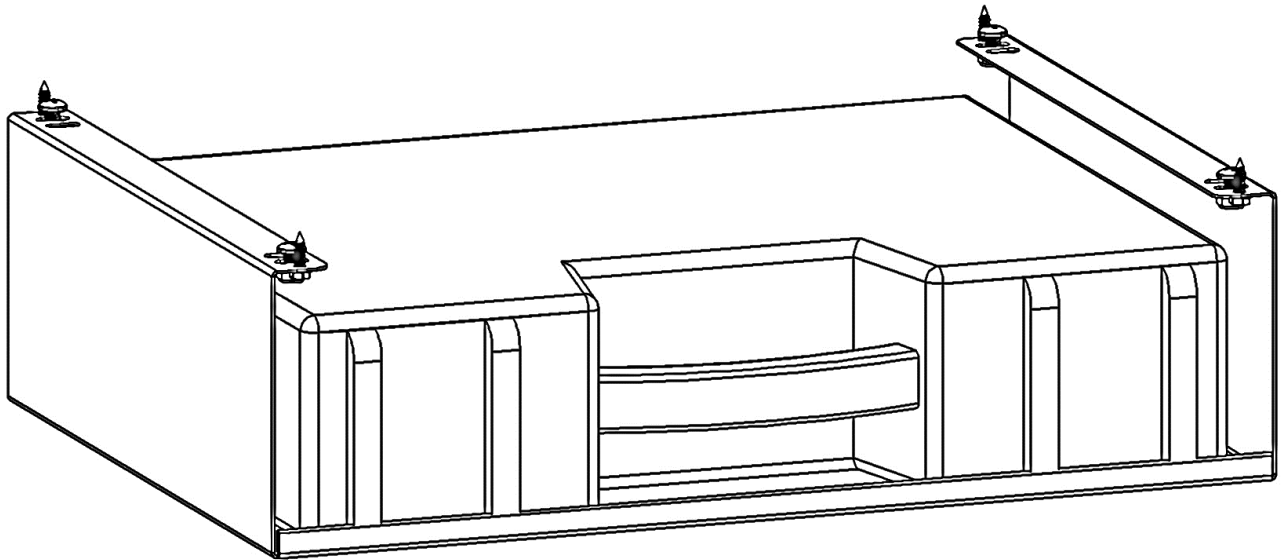


Holman

Installation Guide

40391



Holman
Rancho Cordova, CA 95742
800-343-7486
InstallationSupport@holman.com

PLEASE READ ALL INSTRUCTIONS AND WARNINGS PRIOR TO ASSEMBLING, INSTALLING, AND USING THIS PRODUCT.

Warning



Always check for wires, fuel tanks and lines, brake lines and other important vehicle functionality items prior to drilling and installing all products.

Tools Needed

7/16" Socket and Wrench	Phillips Driver
5/16" Drill Bit	Drill
5/16" Driver Bit	

Table of Contents

Before You Begin 1

Parts 2

Hardware 2

Step 1A – Install to Steel Shelf 3

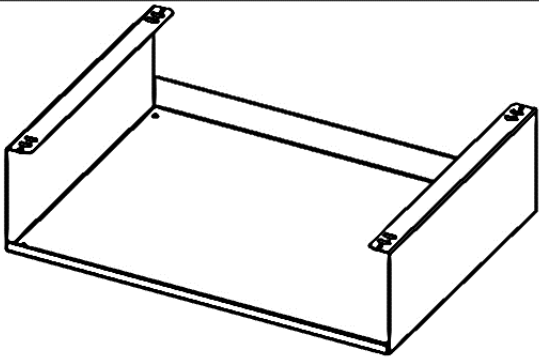
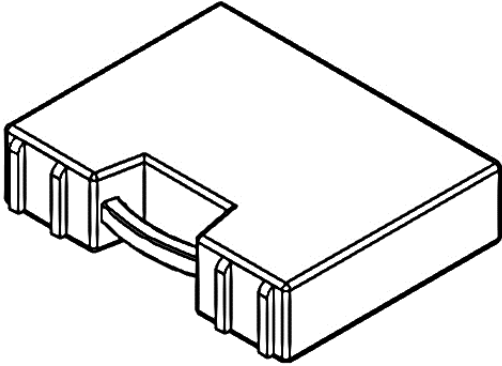
Step 1B – Install to Aluminum DCU Shelf 4

Step 2 – Optional - Install Second Kargo Case 5

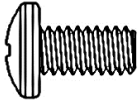


Before You Begin

- Read all instructions prior to assembling or installing any Holman product.
- **Always locate your installation locations prior to performing any work.**
- **Have partition installed or shelf unit assembled prior to installing Kargo Case holder.**

Parts

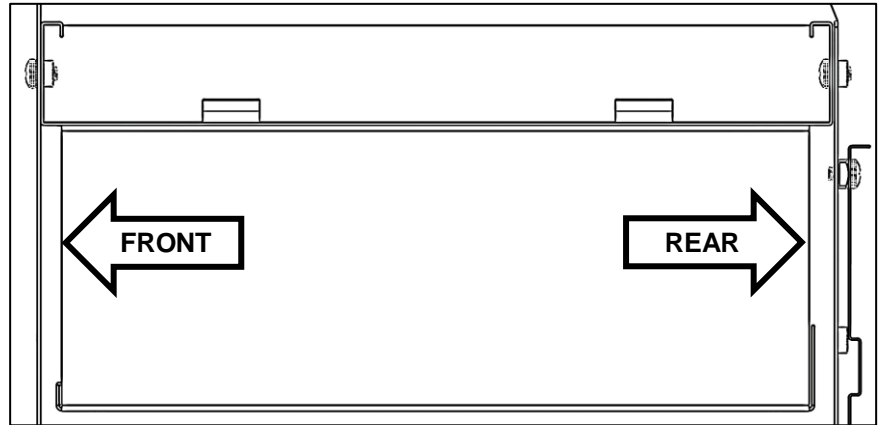
NO.	ITEM	PART NUMBER	DESCRIPTION	QTY.
1		101385	KARGO CASE HOLDER FLOOR	1
2		40351	KARGO CASE - LARGE	1
3		18-40391	HARDWARE KIT	1

Hardware

ITEM	HARDWARE TO SCALE	PART NUMBER	DESCRIPTION	QTY.
1		72586	1/4"-20 X 1/2" PHILLIPS PAN HEAD SCREW	10
2		0167030	1/4"-20 FLANGED LOCK NUT	10
3			10-12 x 5/8" Sheet Metal Screw	4

Step 1A – Install to Steel Shelf

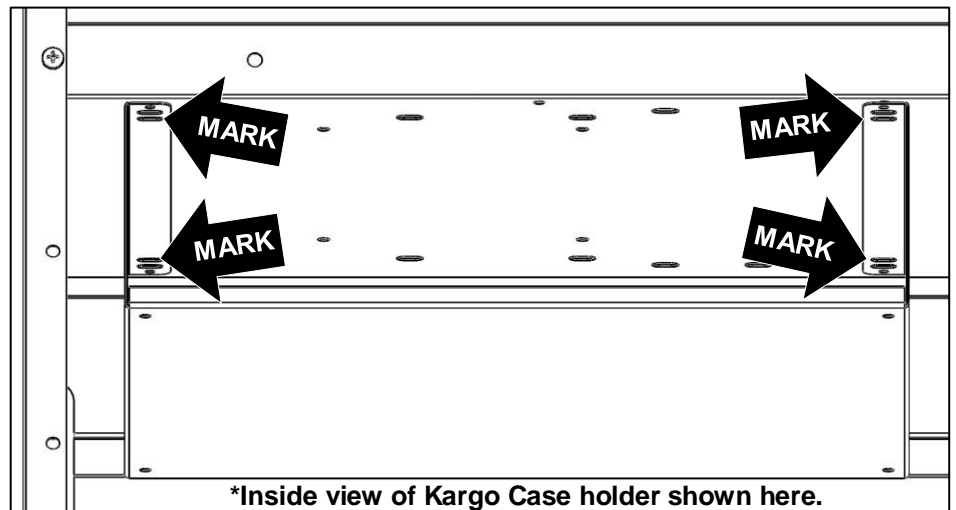
- When installing to a Holman steel shelf, the shelf flanges must be facing upwards, as shown. The small flange on the Kargo Case holder goes towards the front, where the case will be accessed.



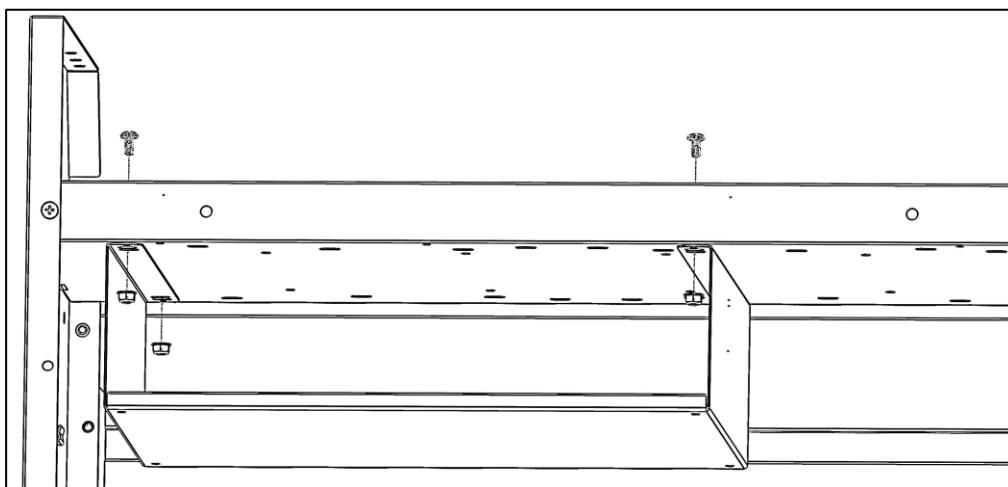
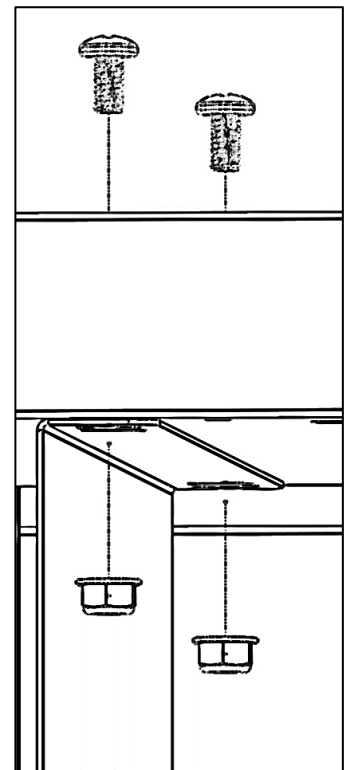
- Place Kargo Case holder in desired position on bottom side of shelf.

NOTE: Some existing shelf holes will align with Kargo Case holes depending on desired location

- Mark center of holder inner holes onto shelf.
- Set bracket aside.
- Using a 5/16" drill bit, drill through the shelf where marked.



- Using four 1/4 x 1/2" pan head screws, and four 1/4" flanged lock nuts, attach Kargo Case holder to shelf. Be sure to have screws facing down.
- Tighten hardware.



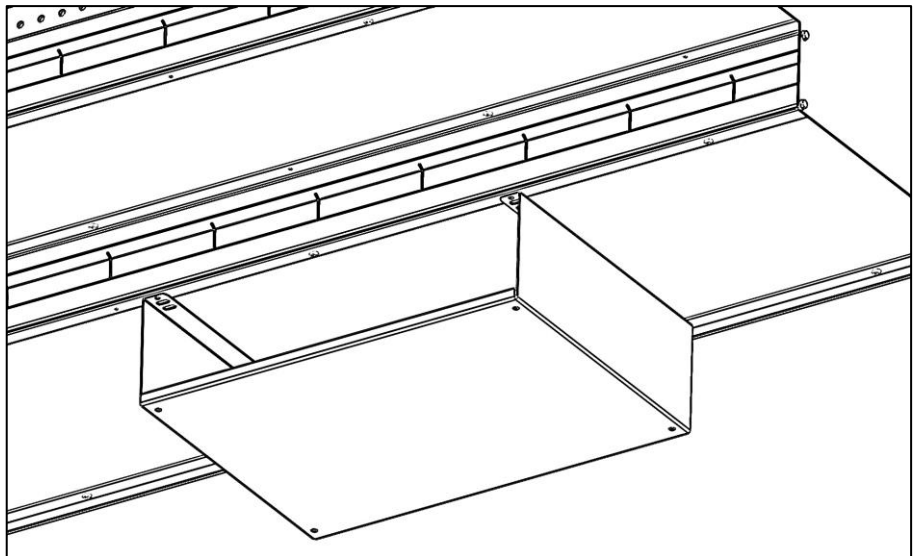
Step 1B – Install to Aluminum DCU Shelf



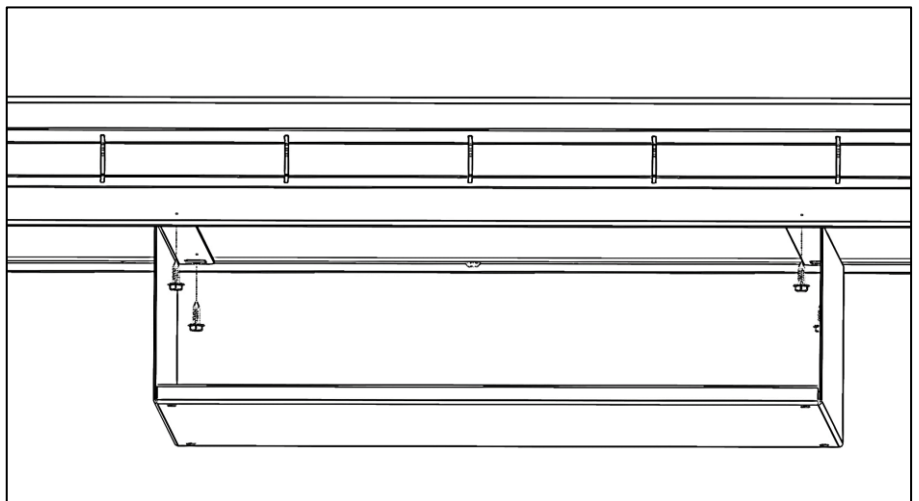
Be sure to install the Kargo Case holder to the aluminum shelf extrusions and **NOT** the shelf fiberboard panels.



- Place Kargo Case holder in desired position on bottom of DCU shelf. The small flange on the Kargo Case holder goes towards the front, where the case will be accessed.



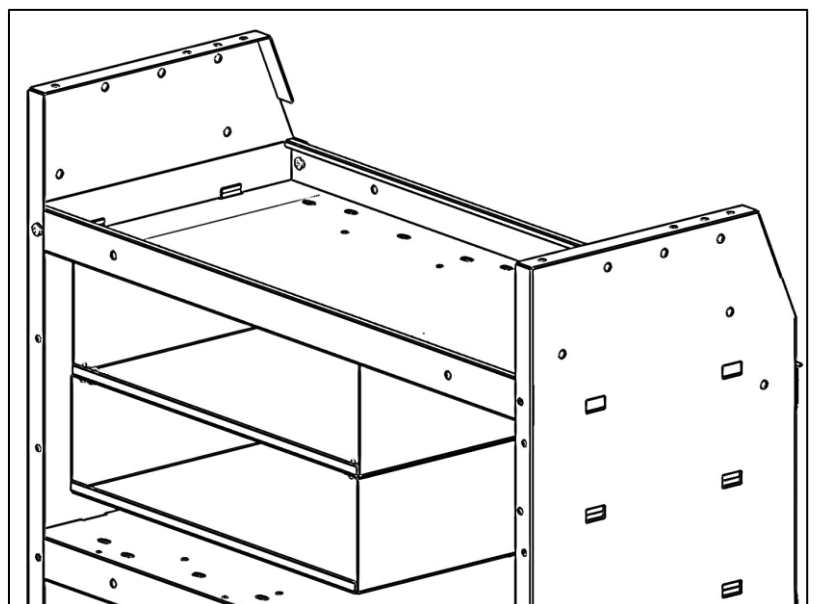
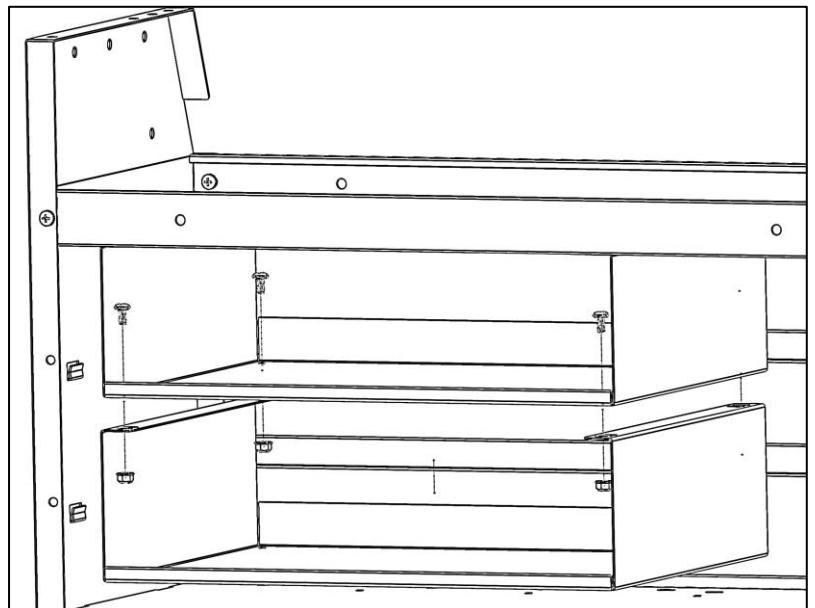
- Holding Kargo Case holder in place, drive a #10 x 5/8" sheet metal screw through each of the four outer holes into the aluminum extrusion.
- Tighten but **DO NOT** overtighten.



INSTALLATION IS COMPLETE.

Step 2 – Optional - Install Second Kargo Case

- Kargo Case brackets can be stacked using the center four holes circled.
- Using four 1/4 x 1/2" pan head screws, and four 1/4" flanged lock nuts, attach Kargo Case holder to shelf. Be sure to have screws facing down.
- Tighten hardware.



**INSTALLATION IS
COMPLETE.**