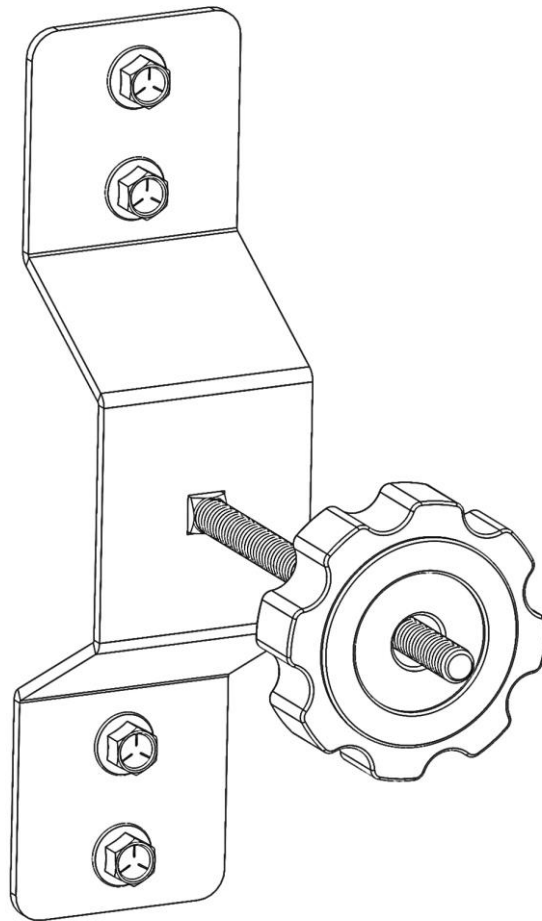


Holman

Installation Guide

40410



Holman
Rancho Cordova, CA 95742
800-343-7486
InstallationSupport@Holman.com

PLEASE READ ALL INSTRUCTIONS AND WARNINGS PRIOR TO ASSEMBLING, INSTALLING, AND USING THIS PRODUCT.

Warning



Always check for wires, fuel tanks and lines, brake lines and other important vehicle functionality items prior to drilling and installing all products.

Tools Needed

7/16" Socket and Socket Wrench	9/16" Box Wrench
25/64" Drill Bit	Drill


Table of Contents

Parts List	2
Hardware	2
Tire Holder Installation	3


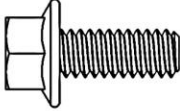
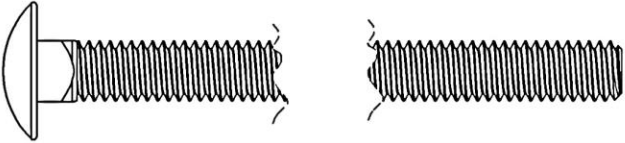
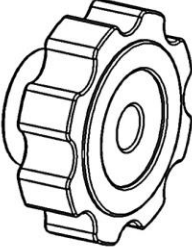
Before You Begin

- Read all instructions.
- Find mounting location prior to installing.
- **ENSURE SAFETY WHILE INSTALLING OR DRILLING INTO VEHICLE.**

Parts List

ITEM NO.	ITEM	PART NUMBER	DESCRIPTION	QTY
1		100694	TIRE HOLDER	1
2		18-40410	HARDWARE KIT	1

Hardware

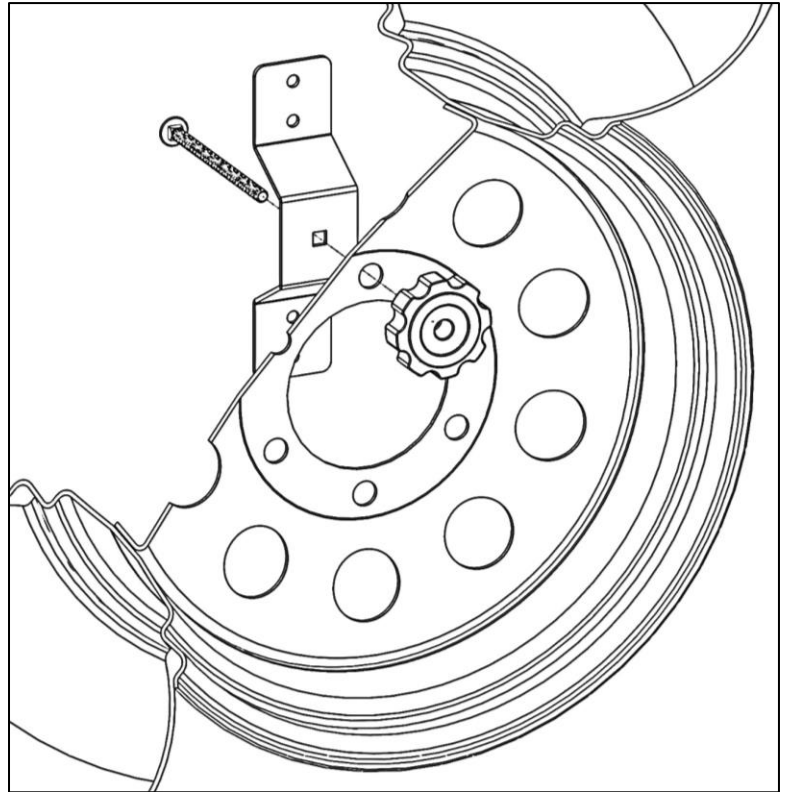
ITEM	HARDWARE TO SCALE	PART NUMBER	DESCRIPTION	QTY.
1		0167030	1/4"-20 FLANGED LOCK NUT	4
2		11126953	1/4"-20 X 5/8" FLANGED HEX HEAD	4
3		21273	5/16"-18 X 5" CARRAGE BOLT	1
4		5532T33	RIBBED PLASTIC COMFORT-GRIP KNOB (1:2 SCALE)	1

Tire Holder Installation

- Insert 5/16" x 5" carriage bolt through a lughole in rim.
- Loosely screw comfort-grip knob onto 5/16" x 5" carriage bolt.
- Determine the approximate location for installation of spare tire.

NOTE: It is recommended the tire rest on the van floor when mounted and the bracket is installed nearest to the top most lug position.

- Holding the tire holder bracket against mounting location, mark the lowest hole location on the tire holder bracket onto installation surface.
- Remove spare tire and remove tire holder bracket from spare tire.
- Position the tire holder bracket against installation surface, with bottom hole of bracket aligned with mark.
- Mark the three remaining hole locations through bracket onto installation surface.



Installing the spare tire holder requires holes be drilled through installation surface, so make sure the following clearances and warnings are met.

- Be sure there is proper clearance behind the installation surface for bolts and nuts to be installed.
 - Be sure there is there is no electrical wiring or fuel lines behind locations marked.
- Use a 17/64" drill bit to drill holes where marked.
 - Using four 1/4" x 5/8" flanged hex head bolts and four 1/4" flanged lock nuts, securely fasten the tire holder bracket to the installation surface.
 - Tighten comfort-grip knob until tire is firmly secure.

GO BACK AND ENSURE ALL HARDWARE IS TIGHTENED.

ASSEMBLY IS COMPLETE.

