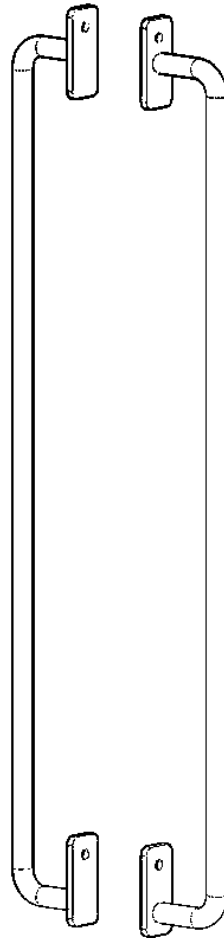


Holman

Installation Guide

40450



Holman
Rancho Cordova, CA 95742
800-343-7486
InstallationSupport@Holman.com

PLEASE READ ALL INSTRUCTIONS AND WARNINGS PRIOR TO ASSEMBLING, INSTALLING, AND USING THIS PRODUCT.

Warning



Always check for wires, fuel tanks and lines, brake lines and other important vehicle functionality items prior to drilling and installing all products.

Tools Needed

M17 Socket and Wrench	M17 Box Wrench
-----------------------	----------------

Table of Contents

Before You Begin 1

Parts 1

Hardware 2

Step 1 – Locate Mount Location in Rear of Van 3

Step 2 – Attach Top of Handle 3

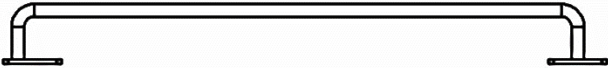
Step 3 – Attach Bottom of Handle 4

Step 4 – Finish Installation 4

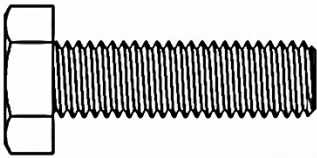
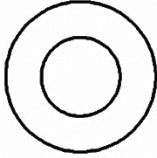
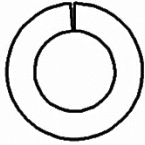
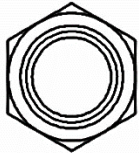
Before You Begin

- Read all instructions

Parts

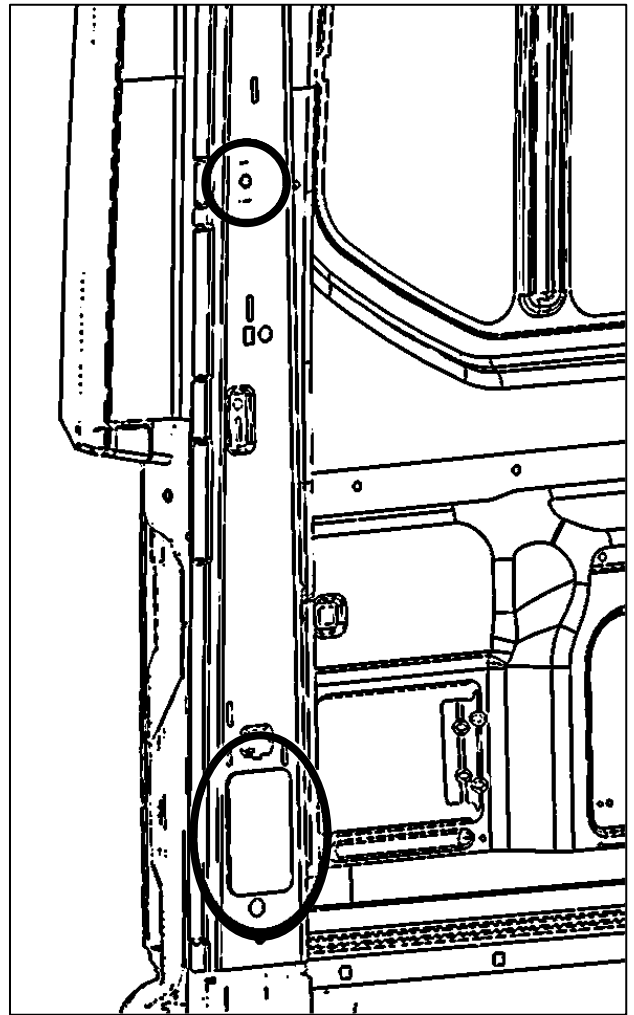
	40450 Parts List	PART NUMBER	DESCRIPTION	QTY.
A		40450-10	Rear Transit Grab Handle	2

Hardware

ITEM NO.	18-40450 To Scale	PART NUMBER	DESCRIPTION	QTY.
1		91280A636	M10x1.5 x 35mm Hex	4
2		91166A280	M10 Flat Washer	6
3		91202A242	M10 Split Lock Washer	2
4		94645A220	M10x1.5 NYLOC	2

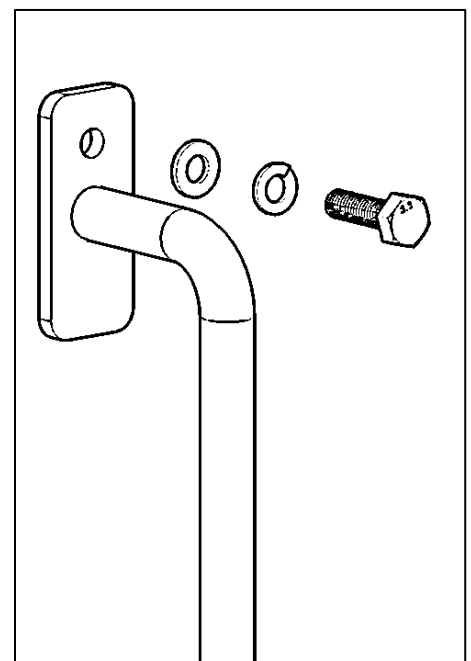
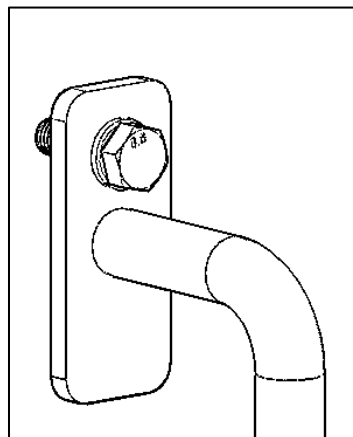
Step 1 – Locate Mount Location in Rear of Van

- Locate the M10 threaded emboss located about eye level on the D-pillar in the rear of the van.
- Locate black rectangular cover near the bottom of the D-pillar.
- Remove cover.



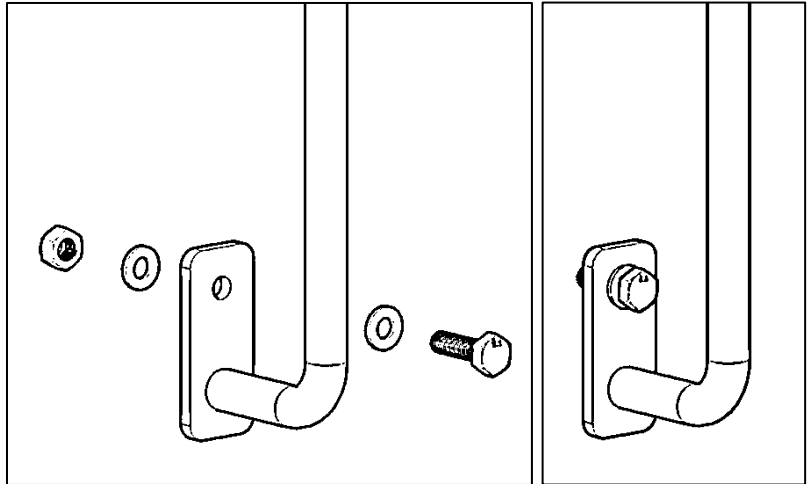
Step 2 – Attach Top of Handle

- Using a M10 flat washer, a M10 lock washer, and a M10 x 35mm hex head, bolt top of grab handle to the threaded emboss.
- Follow the orientation and order of hardware as shown.



Step 3 – Attach Bottom of Handle

- Swing bottom of handle so that it lines up with the accessible hole below previously removed black cover.
- Bolt through the reinforced hole using a M10 x 35mm hex head screw, two M10 flat washers, and a M10 lock nut.
- To reach the lock nut, you must access it through the square hole where the black cover was removed.
- Snug tighten but allow for movement.



Step 4 – Finish Installation

- Align and square handle to your preference.
- **TIGHTEN** all previous bolts.

Your installation is now complete.

