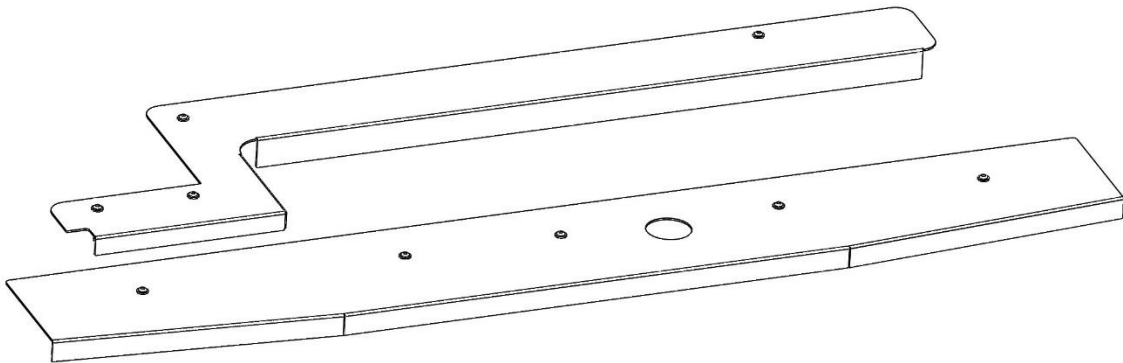


Holman

Installation Guide

40463



Holman

Rancho Cordova, CA 95742

800-343-7486

InstallationSupport@Holman.com

PLEASE READ ALL INSTRUCTIONS AND WARNINGS PRIOR TO ASSEMBLING, INSTALLING, AND USING THIS PRODUCT.

Warning



Always check for wires, fuel tanks and lines, brake lines and other important vehicle functionality items prior to drilling and installing all products.

Tools Needed

5/32" Allen Wrench	25/64" Drill bit
Drill	Plus Nut Installation Tool (P9902)*
9/16" Box Wrench	7/16" Box Wrench
1/4" Bolt	

* Sold Separately.

Table of Contents

Parts List 2

Hardware List 2

Step 1 – Mark Holes For Door Threshold 3

Step 2 – Install Plus Nuts 3

Step 3 – Install Door Threshold 4



Step 4 – Mark Holes For Rear Threshold 5

Step 5 – Install Rear Threshold 5

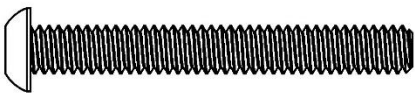
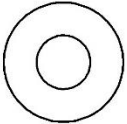
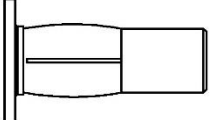
Before You Begin

- Read all instructions.
- Ensure safety when drilling into van.
- **Plus Nut Installation Tool Kit (P9902) is not included and must be purchased separately.**

Parts

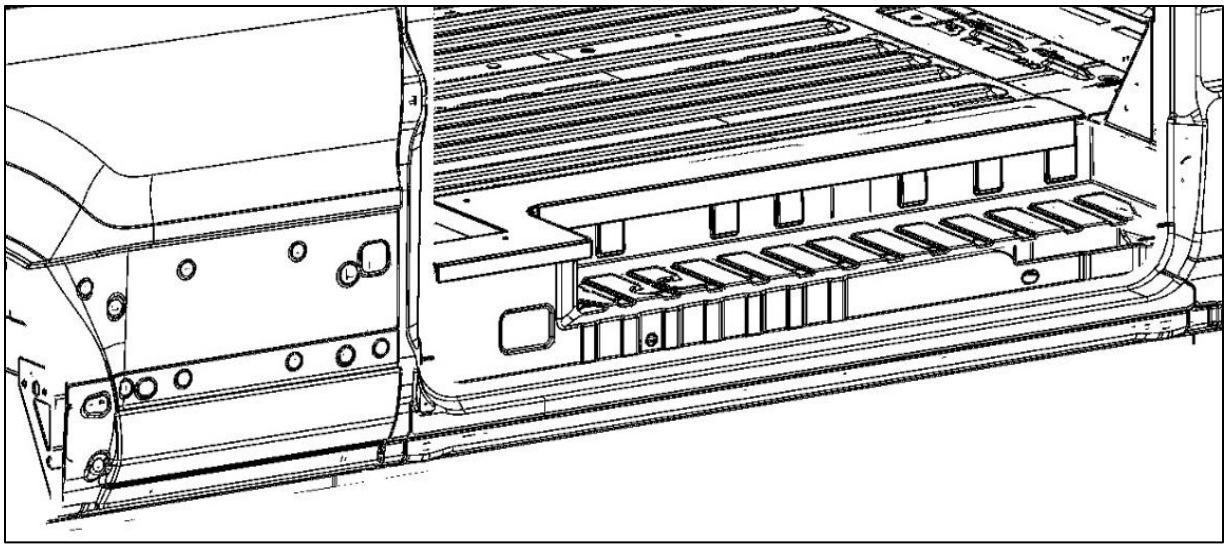
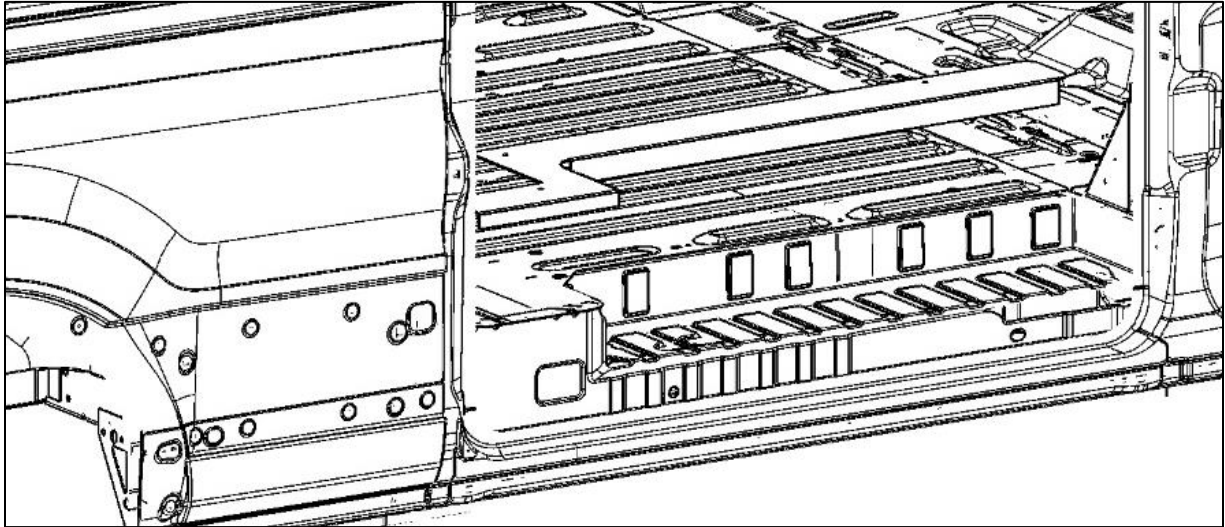
ITEM NO.	40463 PARTS	PART NUMBER	DESCRIPTION	QTY.
A		40463-00-001	Transit - Slider Threshold	1
B		40463-00-002	Transit - Rear Threshold	1

Hardware

ITEM NO.	TO SCALE	DESCRIPTION	PART NUMBER	QTY.
1		.25-20 x 2.0 BHCS Fully Threaded	91306A282	9
2		.25 flat washer	90126A029	9
3		1/4"-20 Plus Nut	97217A393	9

Step 1 – Mark Holes For Door Threshold

- Place Slider Threshold into slider doorway of van. **Be sure to have the flanges in the down position.**
- While applying firm pressure against threshold, mark the four holes onto the floor or the floor mat.



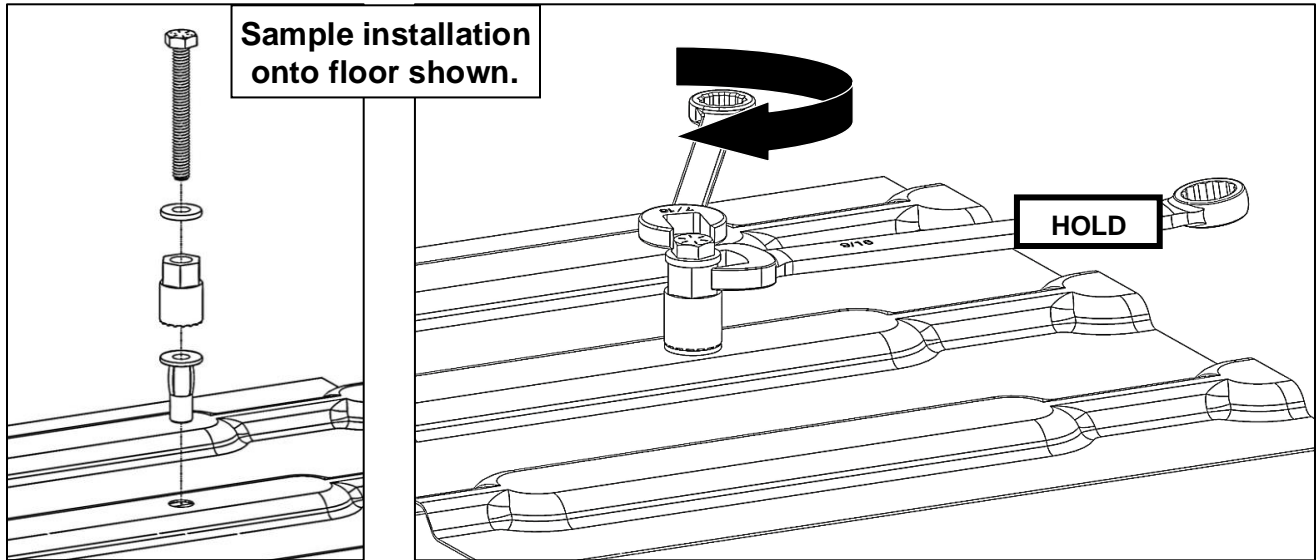
Step 2 – Install Plus Nuts



DO NOT drill beyond depth of floor or upper installation surface. Always check for wires, fuel tanks and lines, brake lines and other important vehicle functionality items prior to drilling and installing all products.

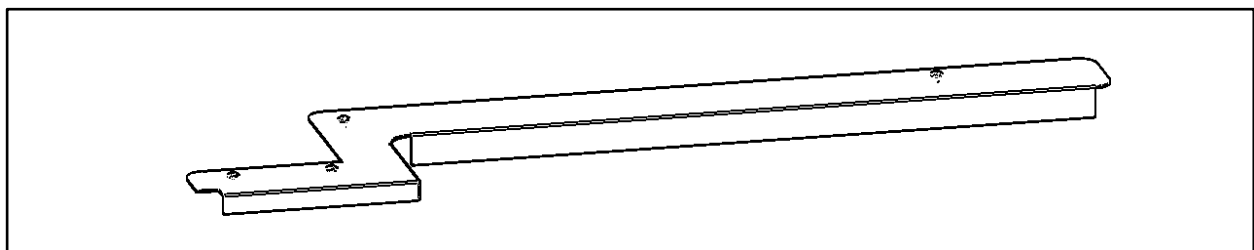
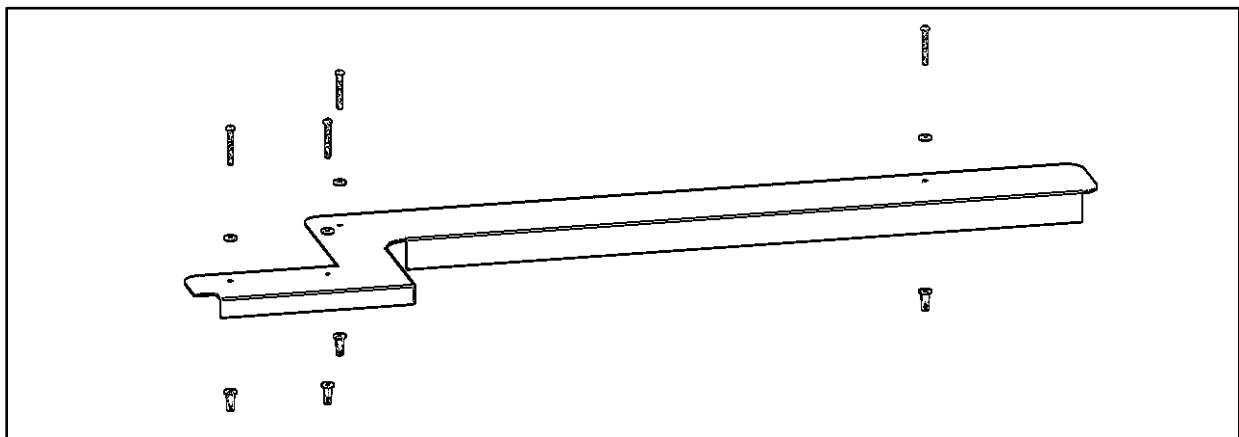
- At each marked location, drill hole using 25/64" drill bit and appropriate sized drill-bit stop collar. If 25/64" drill bit is not available, a 3/8" drill bit can be used, although it may be necessary to tap in the plus nuts.
- Insert 1/4" x 2-1/4" hex head bolt through 1/4" flat washer and plus nut installation tool, and then screw bolt into plus nut. Knurled end of plus nut tool must be directed away from bolt head and contacting plus nut.
- Insert plus nut into hole with plus nut tool attached.

- Using the 9/16" box wrench, hold the plus nut tool stationary and then tighten hex head bolt until plus nut is tightly gripping and does not spin when hex bolt is loosened.
- DO NOT overtighten plus nut.
- Using the 9/16" box wrench, hold the plus nut tool stationary to remove the 1/4" hex head bolt.



Step 3 – Install Door Threshold

- Place threshold back into van on top of previously installed plus nuts.
- Bolt through threshold, with 1/4" x 2" button head cap screw and a 1/4" flat washer.
- Get all four bolts in then tighten.



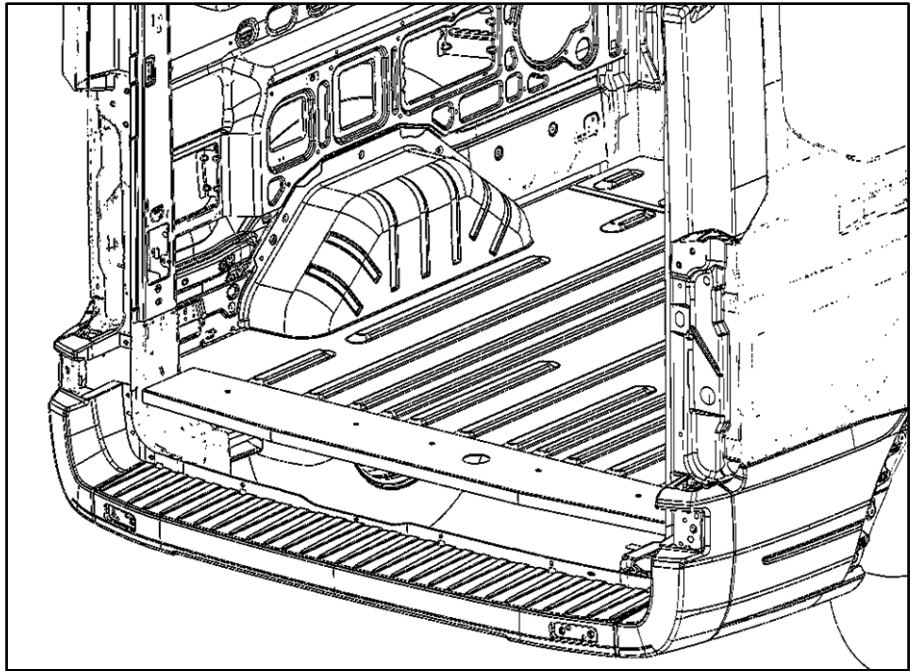
Step 4 – Mark Holes For Rear Threshold

- Place rear threshold into rear of van.
- Be sure to have the flanges in the down position.
- While applying firm pressure against threshold, mark the four holes onto the floor or the floor mat.
- Remove threshold.



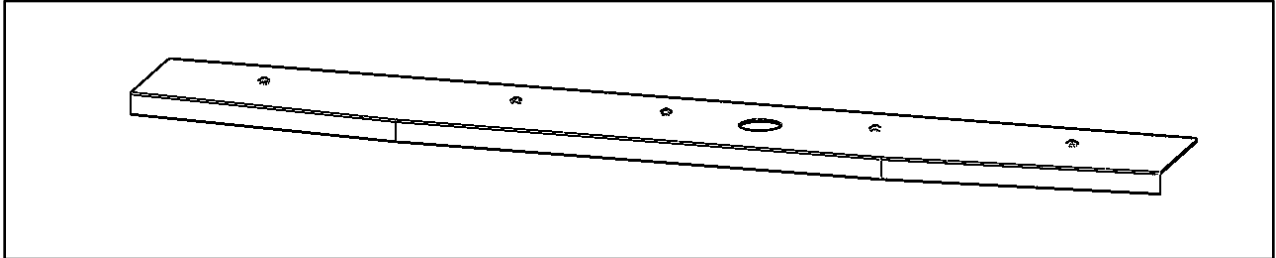
MAKE CERTAIN IT IS SAFE TO DRILL.

- Drill and install plus nuts where previously marked, as instructed in Step 2.

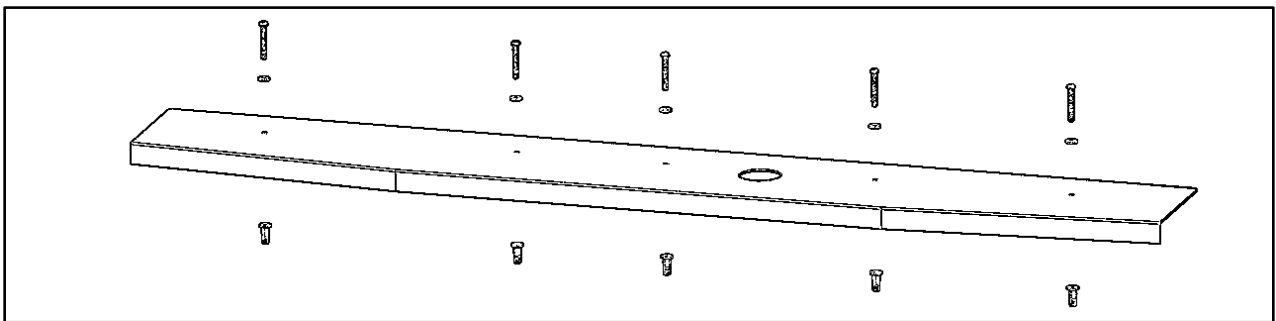


Step 5 – Install Rear Threshold

- Place threshold back into van, on top of previously installed plus nuts.
- Bolt through threshold, into plus nut, with 1/4" x 2" button head cap screw and a 1/4" flat washer.



- Get all five bolts started, then tighten.



GO BACK AND TIGHTEN ALL HARDWARE.

INSTALLATION IS COMPLETE.