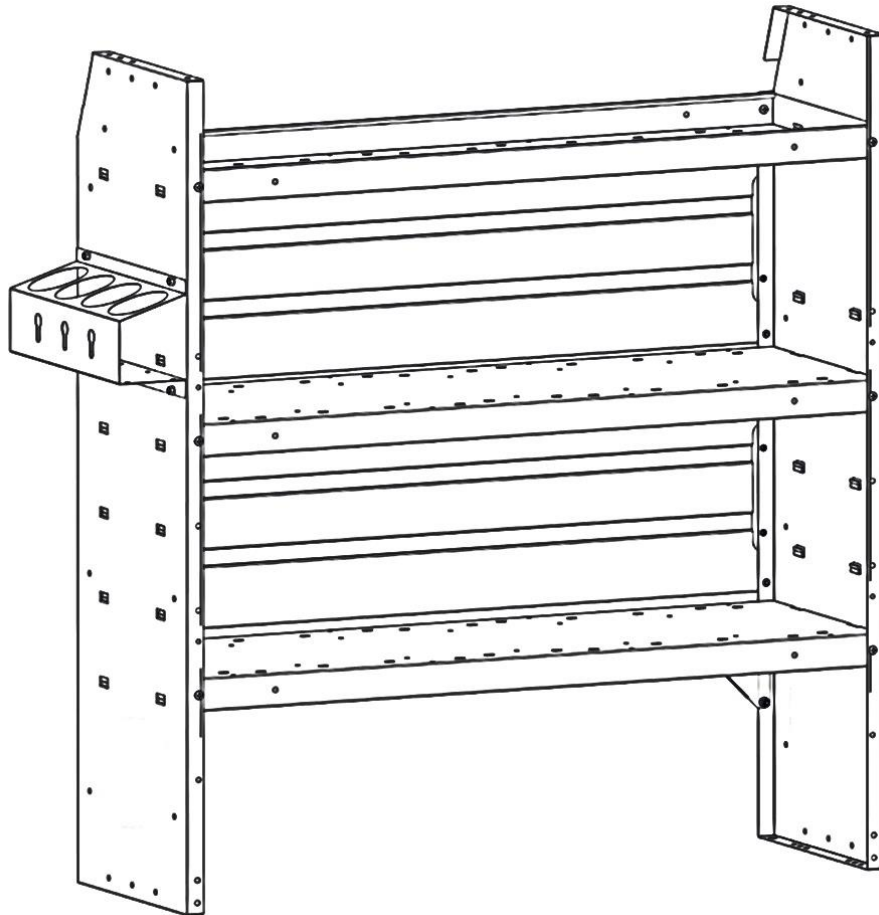


Holman

Installation Guide

40474



Holman

Rancho Cordova, CA 95742

800-343-7486

InstallationSupport@Holman.com

PLEASE READ ALL INSTRUCTIONS AND WARNINGS PRIOR TO ASSEMBLING, INSTALLING, AND USING THIS PRODUCT.

Warning



Always check for wires, fuel tanks and lines, brake lines and other important vehicle functionality items prior to drilling and installing all products.

Tools Needed

3/8" Allen Hex	7/16" Wrench and Socket
1/4" Drill (optional)	

Table of Contents

Parts List2

Hardware List2

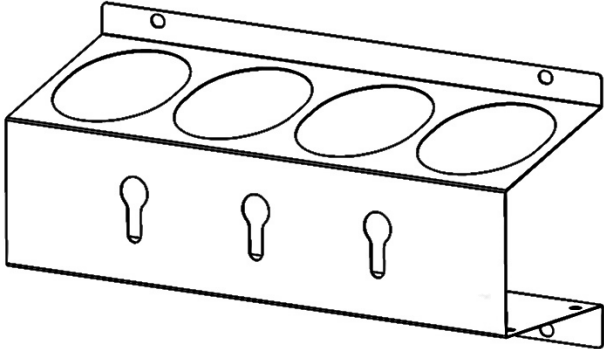
Step 1 Find Location2

Step 2 Attach3

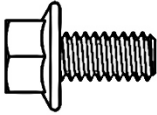

Before You Begin

- Read all instructions.
- **ENSURE SAFETY PRIOR TO DRILLING.**
- Product can be installed on virtually any sheet metal product.

Parts

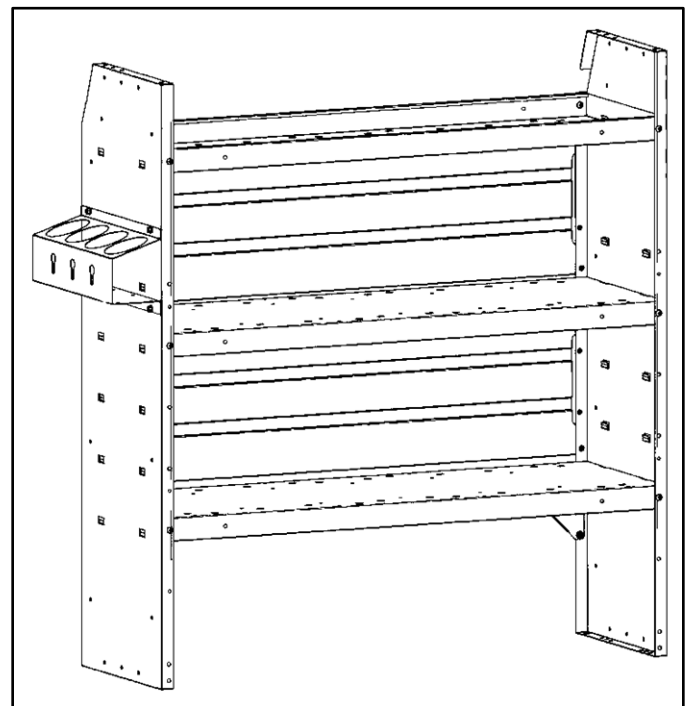
ITEM NO.		PART NUMBER	DESCRIPTION	QTY.
A		40474-00-001	RACK, RATTLE CAN, 4 POSITION	1
		18-40474	4-Can Holder Hardware	1

Hardware

ITEM NO.	TO SCALE	PART NUMBER	DESCRIPTION	QTY.
1		92979A110	1/4"-20 x 1/2" Flanged HH	4
2		93298A110	1/4"-20 Flanged Nyloc	4

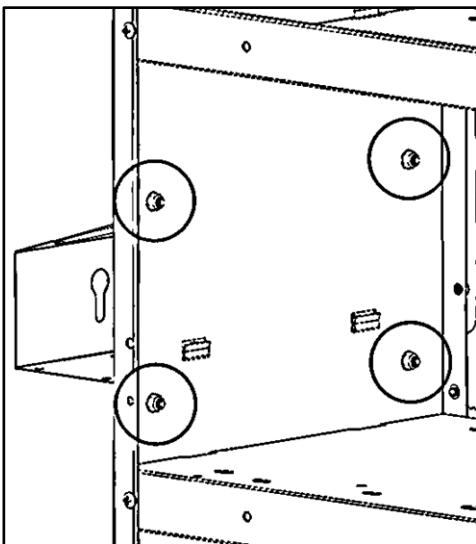
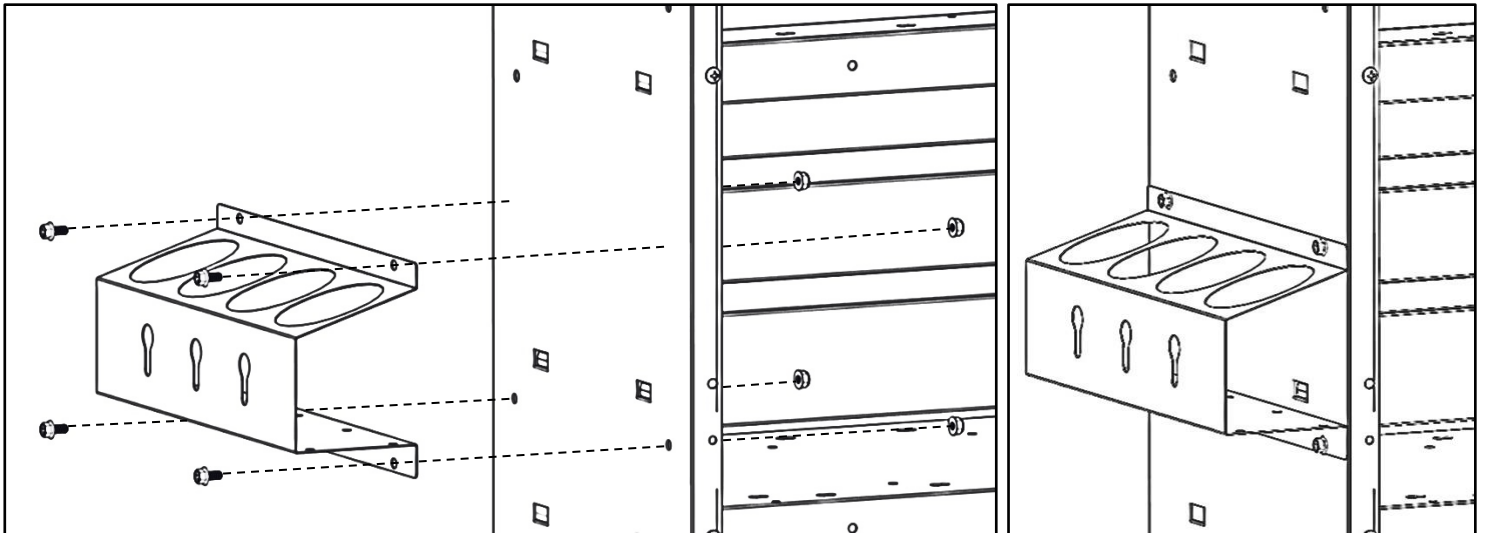
Step 1 – Find Location

- Find desired location for can holder to be installed.
- On the side of most Holman shelf units, holes can be found that correspond with holes from the can holder.
- Place can holder in desired location, if holes do **NOT** align, mark hole locations and drill with 1/4" drill.



Step 2 – Attach

- Attach can holder using a 1/4" x 1/2" flanged hex head bolts and 1/4" flanged lock nuts.



- Repeat for all 4 locations as shown.

**GO BACK AND TIGHTEN ALL
HARDWARE.**

INSTALLATION IS COMPLETE.

