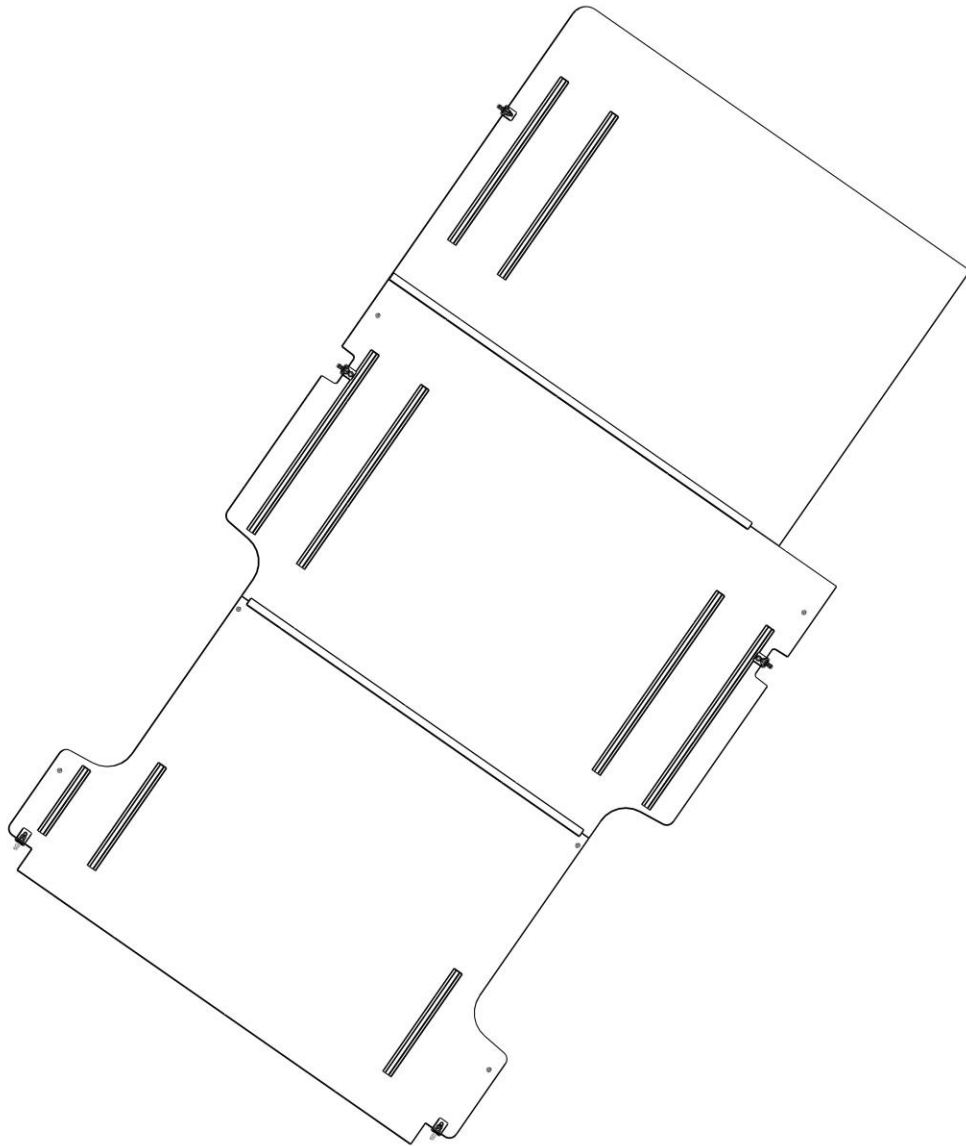


Holman

Instruction Guide

40475TE - 40475TL - 40475TR



Holman
Rancho Cordova, CA 95742
800-343-7486

InstallationSupport@holman.com

PLEASE READ ALL INSTRUCTIONS AND WARNINGS PRIOR TO ASSEMBLING, INSTALLING, AND USING THIS PRODUCT.

Warning



ELECTRIC SHOCK HAZARD: DO NOT DRILL INTO OR PENETRATE FLOOR.



Always check for wires, fuel tanks and lines, brake lines and other important vehicle functionality items prior to drilling and installing all products.



DO NOT USE IMPACT DRIVER TO INSTALL HARDWARE INTO FLOORING MATERIAL. SET DRILL DRIVER TO LOWEST SETTING AND INCREASE TORQUE ONLY AS NEEDED.

Tools Needed

1/2", 5/8" Sockets and Socket Wrench	5/32" Allen Hex Key Wrench
Hammer	#2 Phillips Screw Driver
Drill	3/8" Hex Driver Bit

Table of Contents

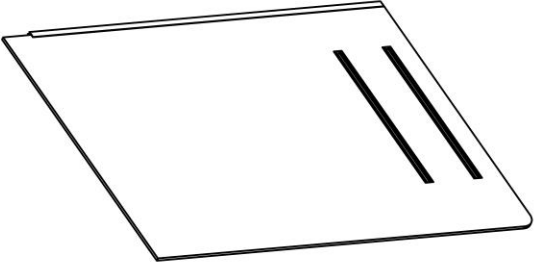
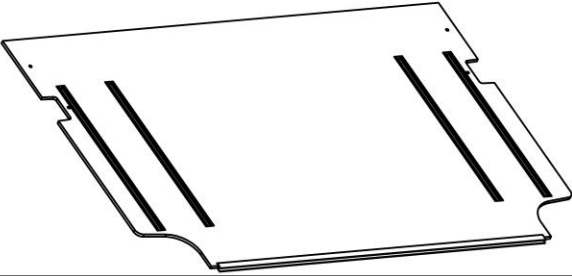
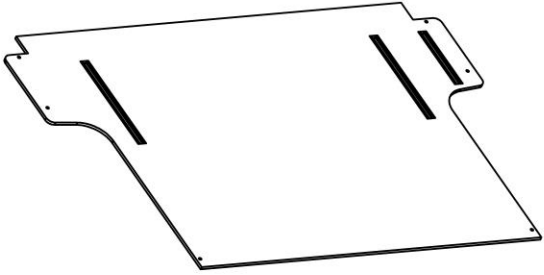
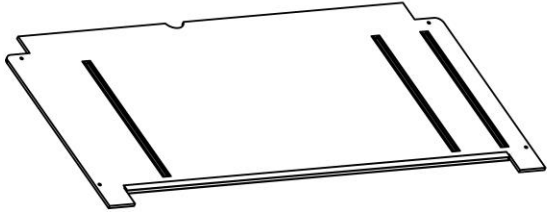
Before You Begin	1
40475TL, 40475TR, and 40475TE Parts List	2
18-KM0251 Floor Hardware (ALL FLOOR KITS)	3
18-KM0251 Floor Hardware Continued (ALL FLOOR KITS)	4
18-KM0255 Floor Extension Hardware (40475TE ONLY)	4
18-KM0255 Floor Extension Hardware Continued (40475TE ONLY)	5
Step 1 – Trim Factory Threshold	6
Step 2 – Trim Floor	6
Step 3 – Insert T-nut Inserts	7
Step 4 – Install Floor Spacers	8
Step 5 – Position Floor	8
Step 6 – Attach Floor Mounts	8
Attaching Shelving to Floor	10
Attaching Accessories to Floor	10

Before You Begin

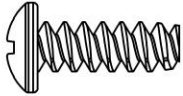
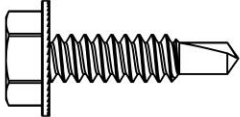


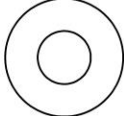
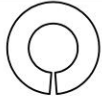
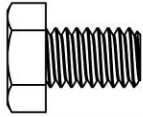
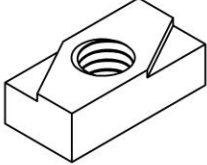
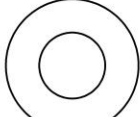
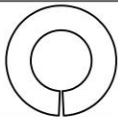
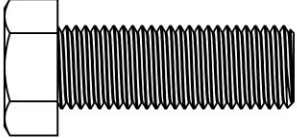
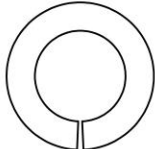
- Read all instructions prior to assembling or installing product.
- **Always locate your installation locations prior to performing any work.**

- **ENSURE SAFETY WHILE INSTALLING OR DRILLING INTO VEHICLE.**
- Any previously installed flooring must be removed prior to installing Holman flooring.
- Floor must be assembled in vehicle.
- 40475HW hardware kit may be necessary to install some accessories to Holman flooring. (40475HW sold separately)
- 40475RS Rubber strip cap kit can be purchased to cover any unused mounting rails in the floor. (40475RS sold separately)
- 40477T threshold kit must be installed when installing Holman flooring. (40477T sold separately)

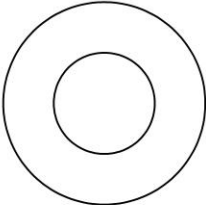
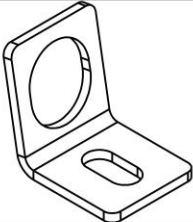

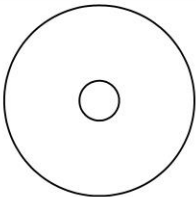
40475TL, 40475TR, and 40475TE Parts List

NO.	ITEM	PART NUMBER	DESCRIPTION	QTY.
1		40475TL & 40475TE: KM0248 40475TR: KM0170	FRONT FLOOR PANEL	1
2		40475TL & 40475TE: KM0249 40475TR: KM0172	MIDDLE FLOOR PANEL	1
3		40475TL & 40475TE: KM0250 40475TR: KM0171	REAR FLOOR PANEL	1
4		40475TE ONLY: KM0260	EXTENSION FLOOR PANEL	1
5		ALL KITS: 18-KM0251	3-PANEL FLOOR HARDWARE KIT	1
6		40475TE ONLY: 18-KM0255	FLOOR EXTENSION HARDWARE KIT	1

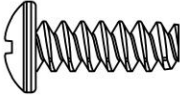


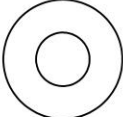
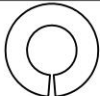
18-KM0251 Floor Hardware (ALL FLOOR KITS)

ITEM	HARDWARE TO SCALE	PART NUMBER	DESCRIPTION	QTY.
1		90380A315	Phillips Rounded Head Thread-Forming Screws For Plastic	6
2		31960	1/4"-14 x 1" SELF TAPPING SCREW	2
3		91306A379	1/4"-20 X 3/4" Button Head Cap Screw.SLDPRT	3
4		90975A307	1/4-20 X TEE NUT INSERT	3
5		33078	1/4" FLAT WASHER	3
6		33618	1/4" LOCK WASHER	3
7		13051	5/16"-18 x 1/2" Hex Head Screw	12
8		90799A218	.312-18 T Nut	12
9		90126A030	5/16" FLAT WASHER	12
10		1133620	5/16" LOCKING WASHER	12
11		17157	7/16"-20 X 1-1/4" Hex Head Bolt	5
12		33624	7/16" LOCKING WASHER	5

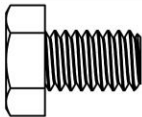
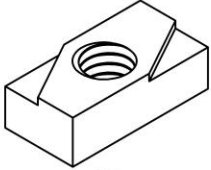
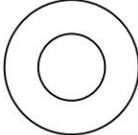
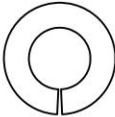
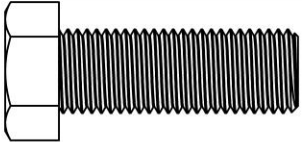
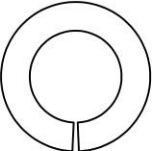
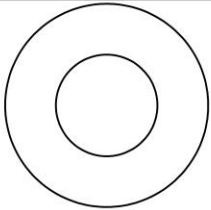

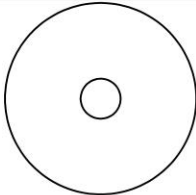
18-KM0251 Floor Hardware Continued (ALL FLOOR KITS)

ITEM	HARDWARE TO SCALE	PART NUMBER	DESCRIPTION	QTY.
13		1133086	1/2" WASHER	5
14		-	C-PILLAR D-RING MOUNT	3
15		KM02642	D-RING MOUNT FLOOR HOLD DOWN	2
16		-	SPACER 1" OD X 0.21" ID X 0.5" L	6

18-KM0255 Floor Extension Hardware (40475TE ONLY)

ITEM	HARDWARE TO SCALE	PART NUMBER	DESCRIPTION	QTY.
1		90380A315	PHILLIPS ROUNDED HEAD THREAD-FORMING SCREWS FOR PLASTIC	2
2		91306A379	1/4"-20 X 3/4" BUTTON HEAD CAP SCREW.SLDPRT	2
3		90975A307	1/4-20 X TEE NUT INSERT	2
4		33078	1/4" FLAT WASHER	2
5		33618	1/4" LOCK WASHER	2

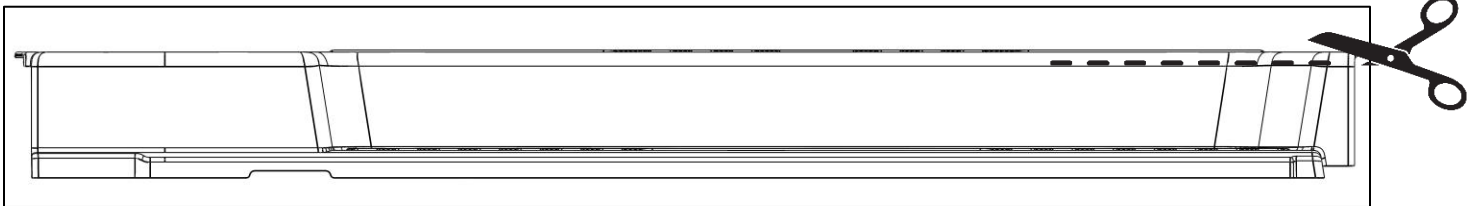
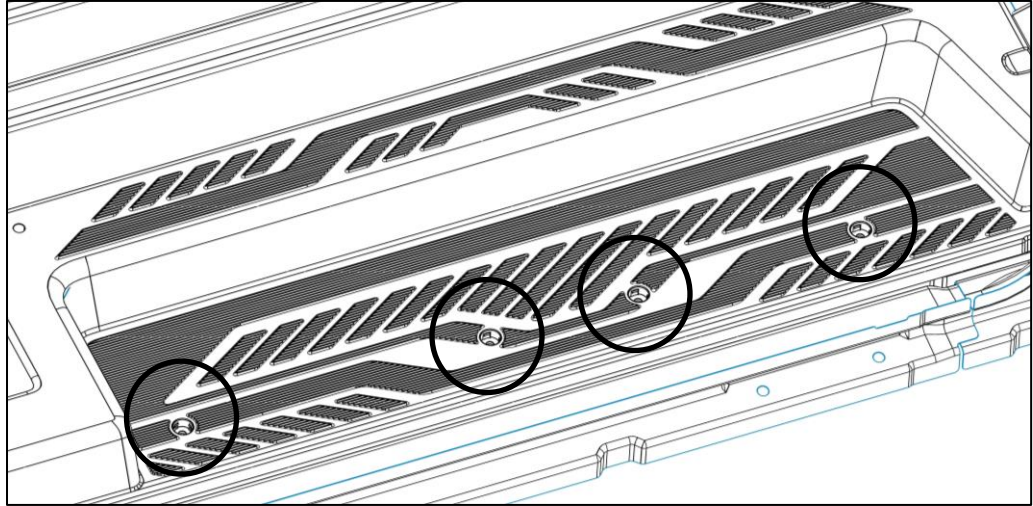
18-KM0255 Floor Extension Hardware Continued (40475TE ONLY)

ITEM	HARDWARE TO SCALE	PART NUMBER	DESCRIPTION	QTY.
6		13051	5/16"-18 X 1/2" HEX HEAD SCREW	4
7		90799A218	.312-18 T NUT	4
8		90126A030	5/16" FLAT WASHER	4
9		1133620	5/16" LOCKING WASHER	4
10		17157	7/16"-20 X 1-1/4" HEX HEAD BOLT	2
11		33624	7/16" LOCKING WASHER	2
12		1133086	1/2" WASHER	2
13		-	D-RING MOUNT FLOOR HOLD DOWN	2
14		-	SPACER 1" OD X 0.21" ID X 0.5" L	2

Step 1 – Trim Factory Threshold

Some vehicles may be equipped with a plastic threshold by the sliding door. This needs to be either removed or trimmed before installing the floor.

- Remove the four screws circled. **Be sure not to lose screws they will be needed for reinstallation.**
- Pry up using trim removal tool.
- Cut along the line shown below removing the entire top flange of the threshold.

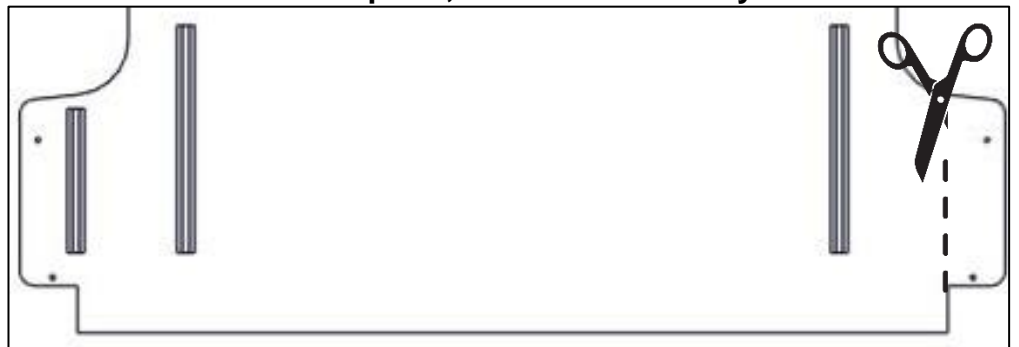


- Reinstall the threshold using previously removed screws.

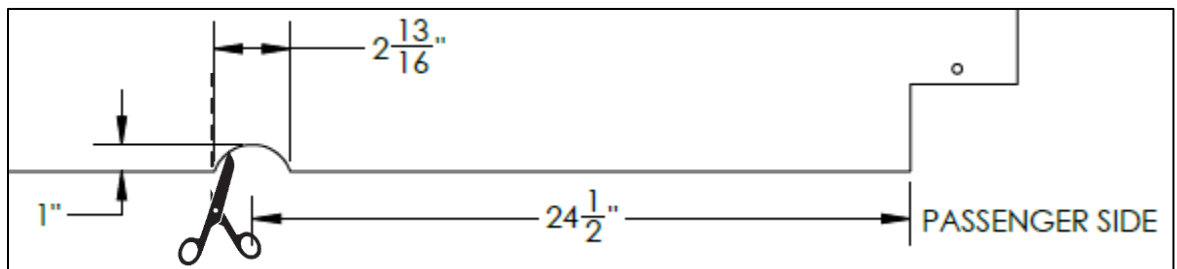
Step 2 – Trim Floor

If your vehicle is equipped with the Ford Pro Power option, it will be necessary to trim the Holman floor for clearance.

- Find rear floor panel.
- Remove 4" from section behind passenger side wheel well as shown.

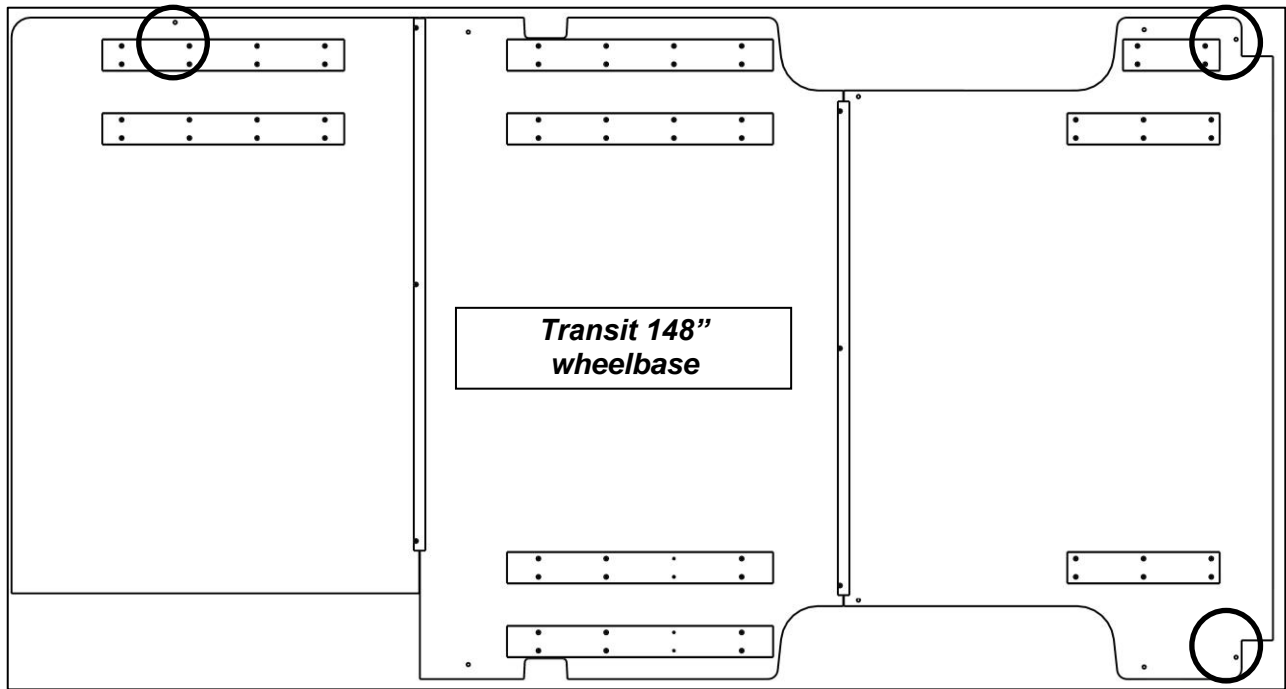
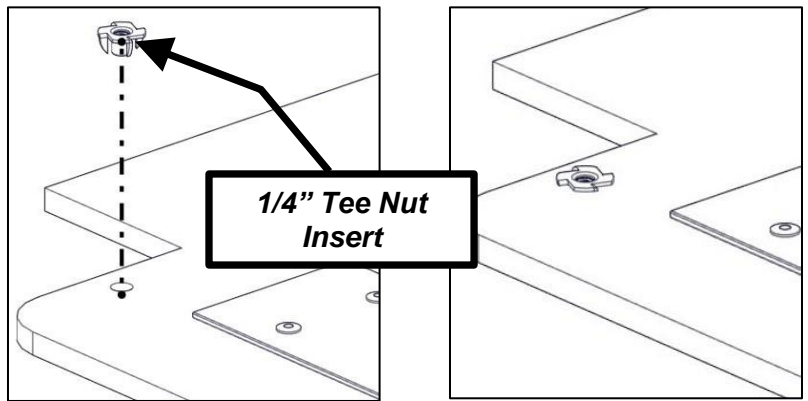


When installing 40475TL or 40476TL in Transit 148" wheelbase you must trim the rear floor section as shown for access to the spare tire mechanism.

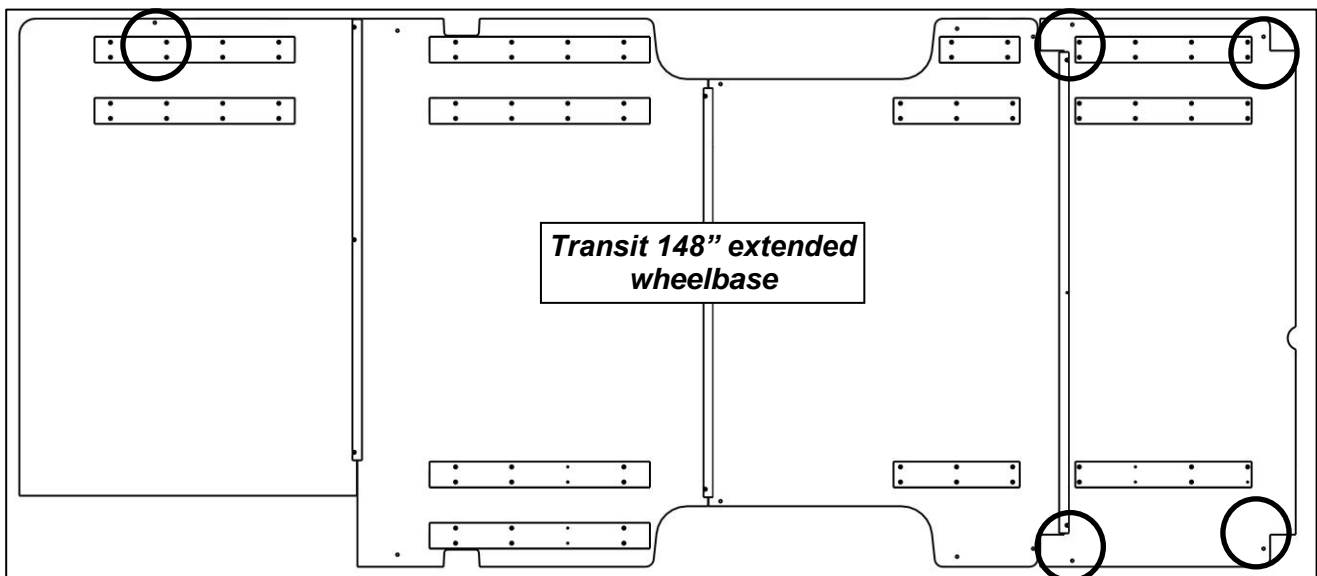


Step 3 – Insert T-nut Inserts

- Insert 1/4" tee nut insert into bottom of floor panel into holes highlighted below.
- Tap in inserts with hammer.
- For Transit 130" and 148" wheelbase insert three 1/4" tee nut inserts from bottom into the floor panels as shown.

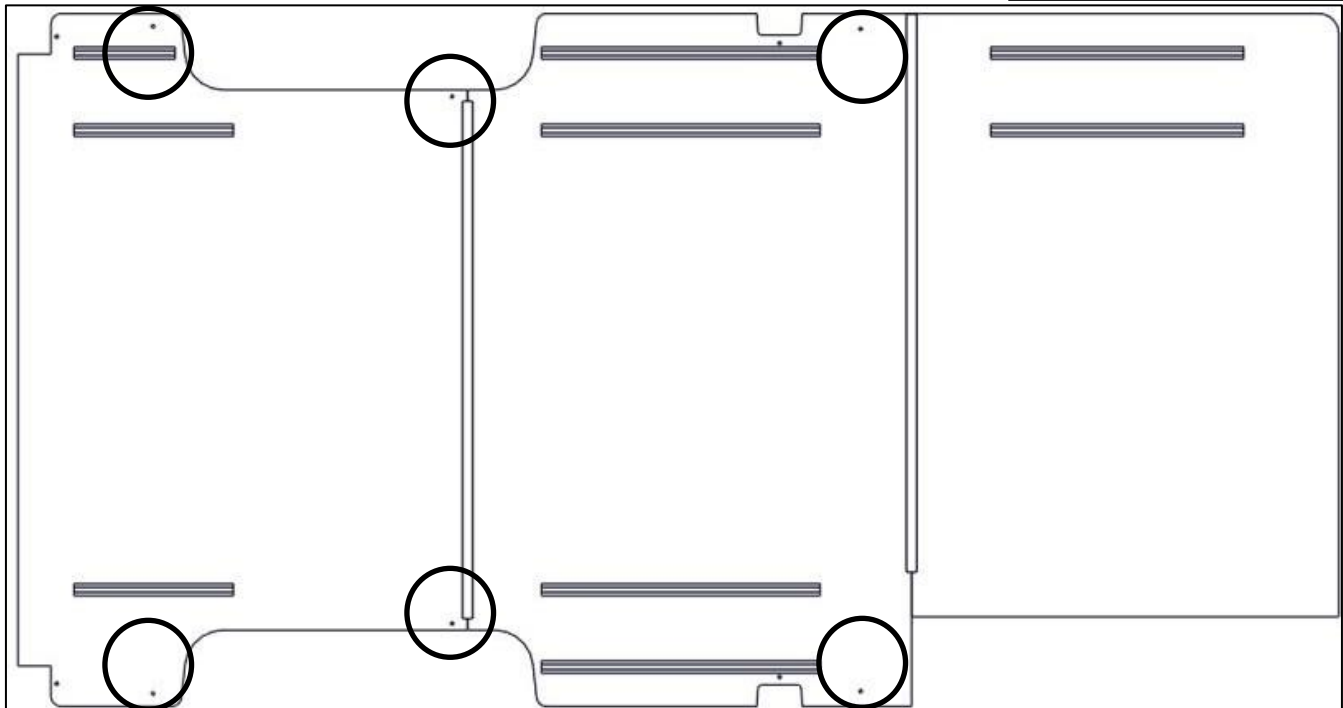
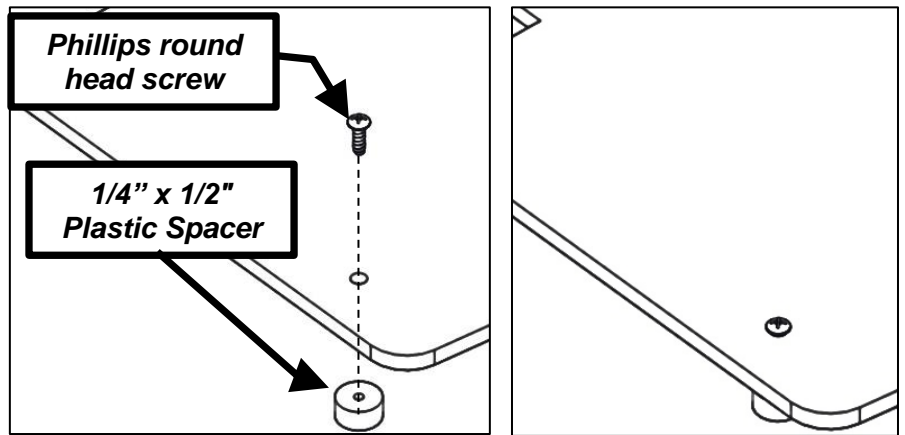


- For Transit 148" Extended wheelbase insert five 1/4" tee nut inserts from bottom into the floor panels as shown.



Step 4 – Install Floor Spacers

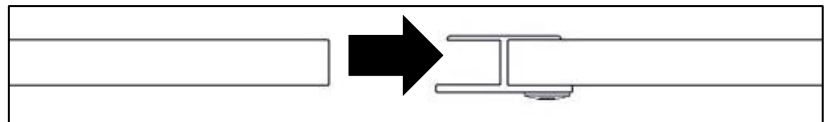
- Using six Phillips round head screws, fasten plastic spacers to the bottom of the floor in the locations highlighted.



Step 5 – Position Floor

Floor must be assembled in vehicle.

- Set front panel in position.
- Press middle panel into aluminum extrusion of front panel.
- Press rear panel into aluminum extrusion of middle panel.

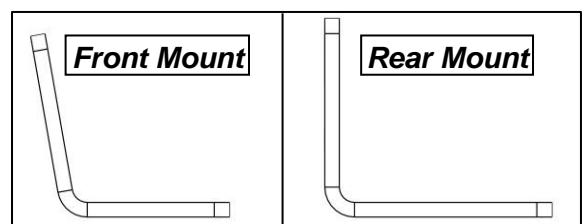


Note: For Transit 148" Extended wheelbase press extension panel onto rear panel.

Step 6 – Attach Floor Mounts

- Locate D-ring floor mounts.

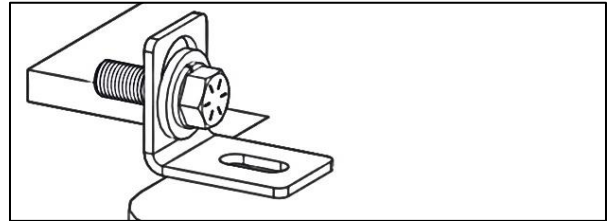
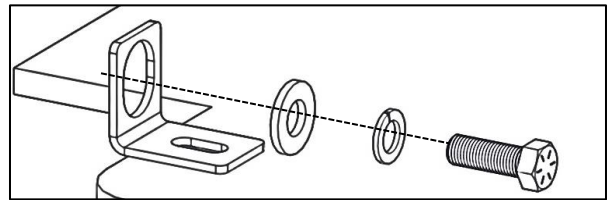
NOTE: Front and rear D-Ring mounts are bent at different angles.



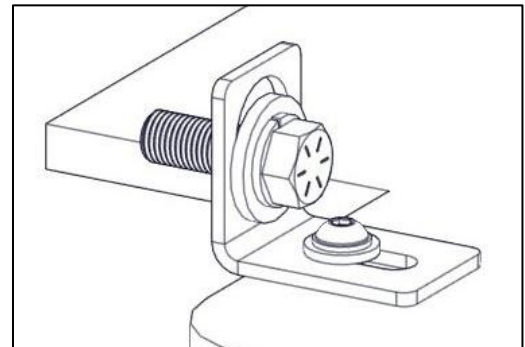
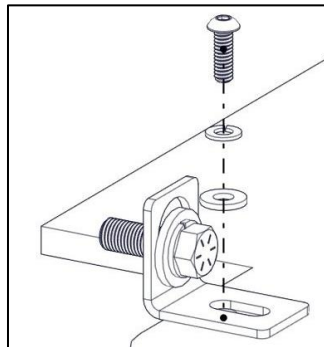
- Using 7/16" x 1-1/4" hex head screws, 7/16" lock washers and 1/2" flat washers bolt floor brackets into D-ring embosses in rear pillar, side pillar, and B-pillar. **Be sure to use the Front Mount on the side and B-pillar and Rear Mount for the rear pillars.**

- Snug tighten but allow movement.

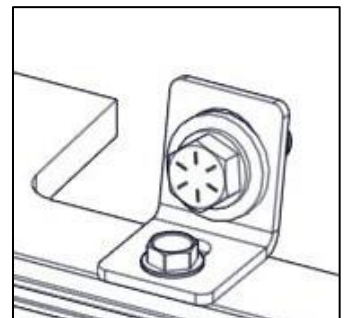
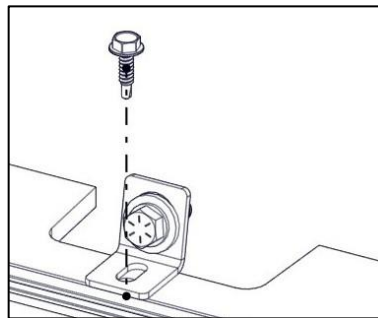
NOTE: D-ring holes may not be pre-threaded, depending on vehicle options, and may require an impact wrench.



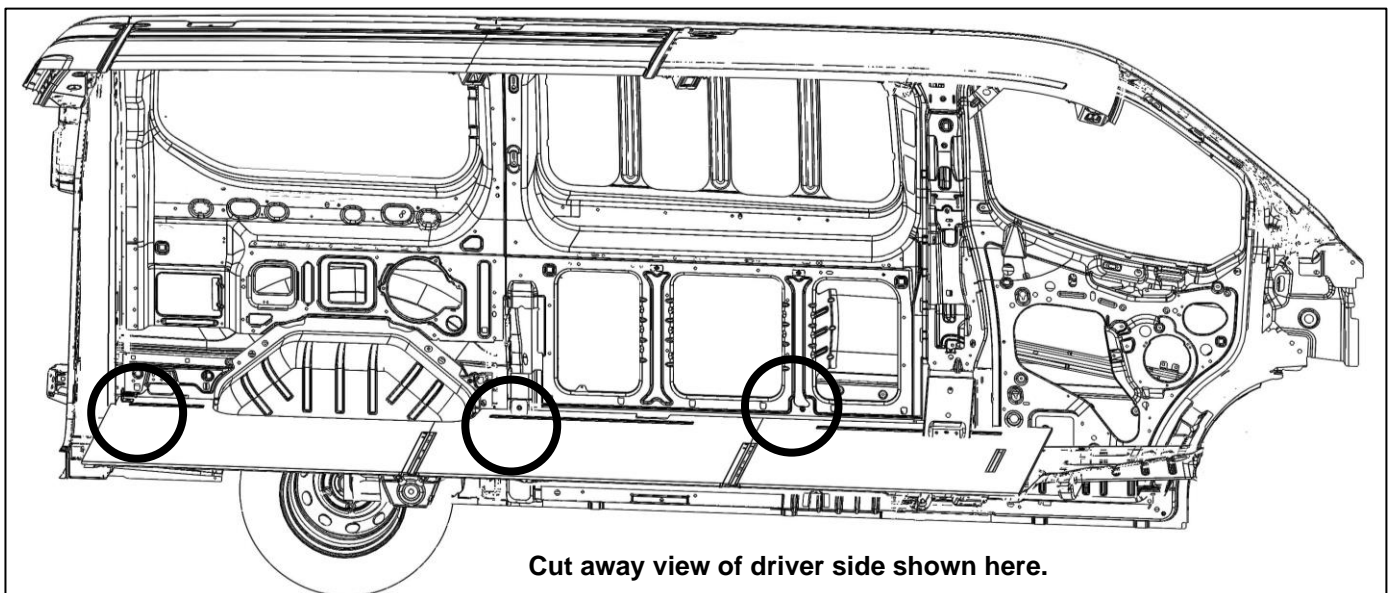
- Using 1/4" x 3/4" button head screws, 1/4" lock washers and 1/4" flat washers, fasten flooring to two rear floor brackets and front driver's side floor bracket.



- Using 1/4" x 1" self tapping screw, fasten flooring to front floor brackets.



The following image is an example of Transit floor-bracket installation locations. Transit Extended vehicles will have additional installation locations.

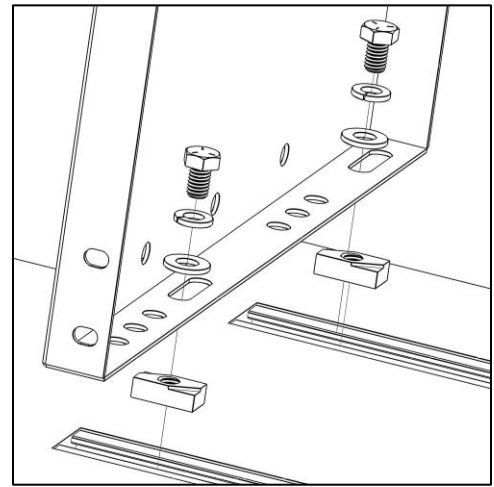


Attaching Shelving to Floor



DO NOT INSTALL SHELVING TO FLOOR WITHOUT MOUNTING TO WALL IN ADDITION TO FLOOR.

- Shelving must be attached to the rails embedded in the flooring.
- Using 5/16" hex head screws and 5/16" t-nuts, **LOOSELY** attach shelf to floor mounting rails.
- Follow shelving mounting instructions to mount shelf to wall. **Shelf must be mounted to walls in addition to the floor.**
- Tighten hardware **AFTER** mounting shelf to wall.



Attaching Accessories to Floor



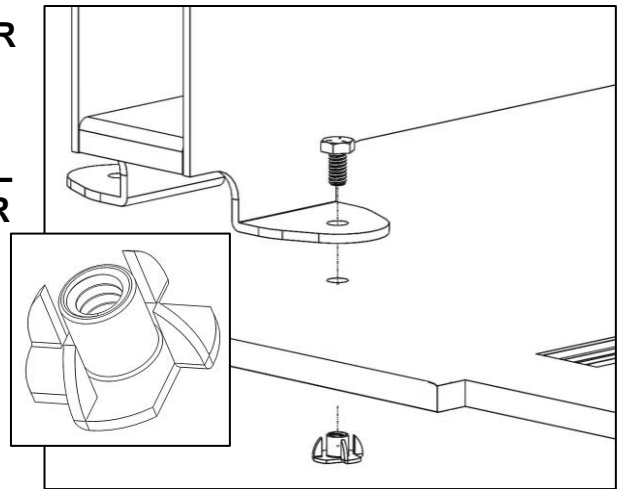
DO NOT ATTACH TANK RACKS TO FLOOR WITHOUT MOUNTING TO WALL IN ADDITION TO FLOOR.



DO NOT USE ANY HARDWARE THAT WILL PENETRATE THE VEHICLE METAL FLOOR PANEL.

- Determine installation location.
- Drill a 5/16" hole through floor in each installation.
- Use 1/4" hardware and 1/4" t-nut threaded inserts* to install accessories to floor.

** T-nut threaded inserts sold separately in 40475HW hardware kit.*



GO BACK AND TIGHTEN ALL HARDWARE.
INSTALLATION AND ASSEMBLY ARE COMPLETE.