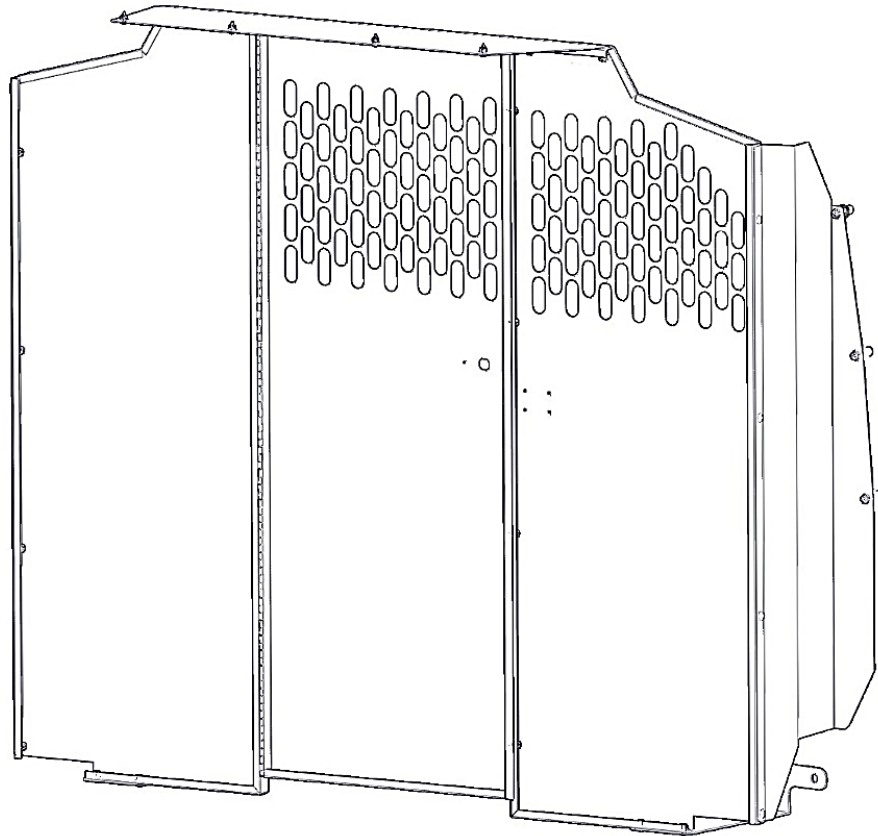


Holman

Installation Guide

4064M



Holman
Rancho Cordova, CA 95742
800-343-7486
InstallationSupport@Holman.com

PLEASE READ ALL INSTRUCTIONS AND WARNINGS PRIOR TO ASSEMBLING, INSTALLING, AND USING THIS PRODUCT.

Warning



Always check for wires, fuel tanks and lines, brake lines and other important vehicle functionality items prior to drilling and installing all products.

Tools Needed

3/8" Wrench and Socket	7/16" Wrench and Socket
Phillips Driver	25/64" Drill Bit
2" Hole Saw/Cutting Device	

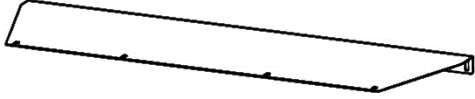
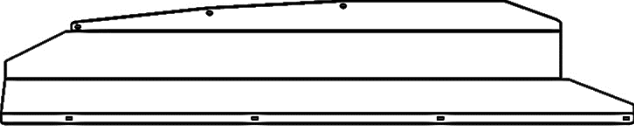
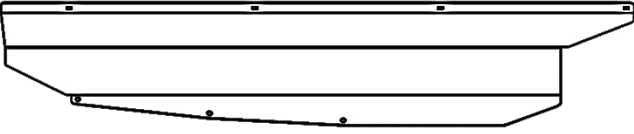
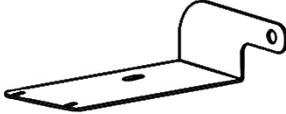
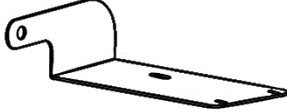
Table of Contents

Parts List	2
Hardware List	3
Step 1 – Bolt Wings to Partition	4
Step 2 – Install Floor Mounts	5
Step 3 – Prepare “B” Pillar	5-6
Step 4 – Install Wings	7
Step 5 – Install Partition	8
Step 6 – Install Top Wing	8
Step 7 – Attach Top Wing	9

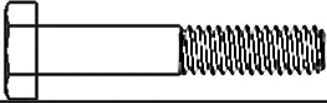

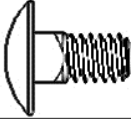




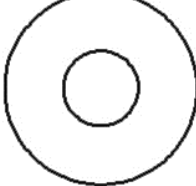


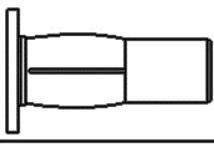
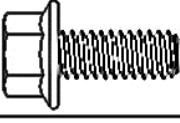
Before You Begin

- Read all instructions before assembling or installing any product.
- ENSURE SAFETY BEFORE DRILLING OR CUTTING.

Parts

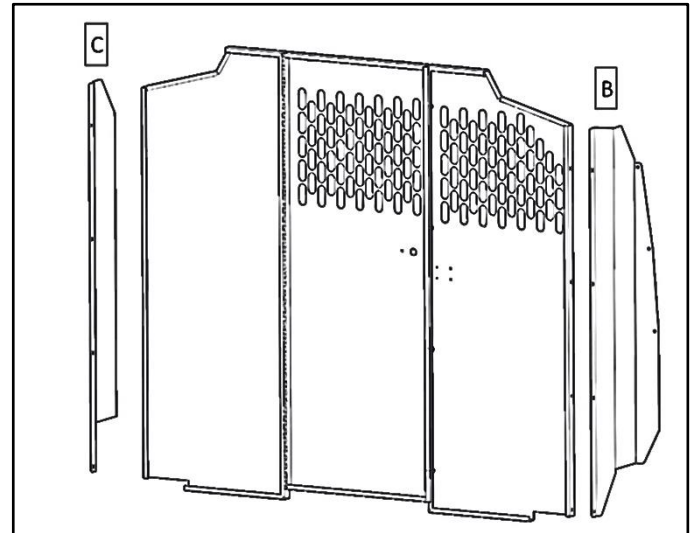
ITEM NO.		PART NUMBER	DESCRIPTION	QTY.
A		4064M-00-001	Top Wing - Metris	1
B		4064M-00-002	P_S Wing - Metris	1
C		4064M-00-002 - Mirror	D_S Wing - Metris	1
D		4064M-00-003	P_S Floor Mount - Metris	1
E		4064M-00-003 - Mirror	D_S Floor Mount - Metris	1

Hardware

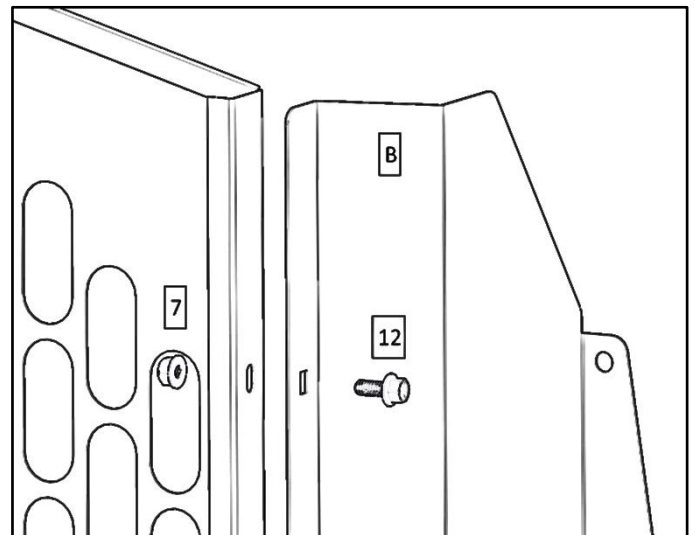
ITEM NO.	HARDWARE TO SCALE	Fasena SKU	DESCRIPTION	QTY.
1		11241168	1/4"-20 x 1-1/2" Hex Head	6
2			1/4"-20 x 2" Hex Head	6
3		C504C0016YZ0000	1/4"-20 x 1/2" Carriage Bolt	4
4		1133618	1/4" Lock Washer	6
5		11541082	1/4" Flat Washer	6
6			1/4" Clip Washer	6
7		0167030	1/4"-20 Flanged Nyloc	18
8			Nylon Spacer	12
9			Plastic Nut Clip OEM 2524525	4
10			#12 x 5/8" Pan Head Point Screw	4
11		11120386	1/4"-20 Plus Nut	6
12		11106180	1/4"-20 x 5/8" Flanged Hex Head	14

Step 1 – Bolt Wings To Partition

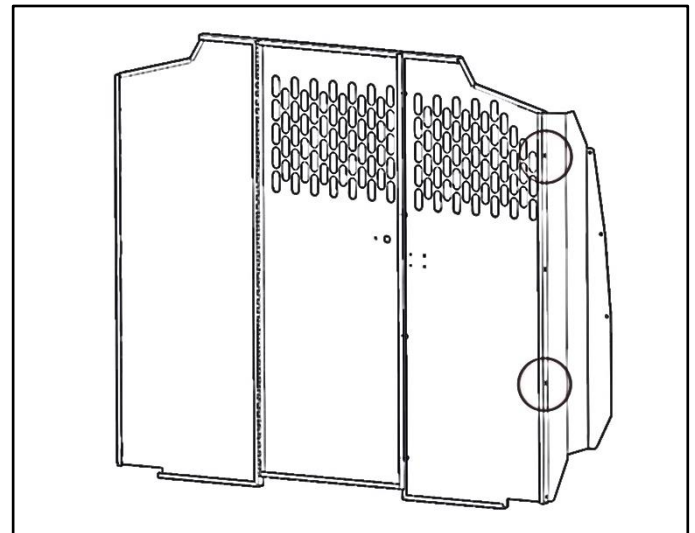
- Place both passenger side wing (B) and driver side wing (C) in orientation shown with reference to the partition.



- Bolt together using a 1/4" x 5/8" flanged hex head and a 1/4" flanged nyloc nut.

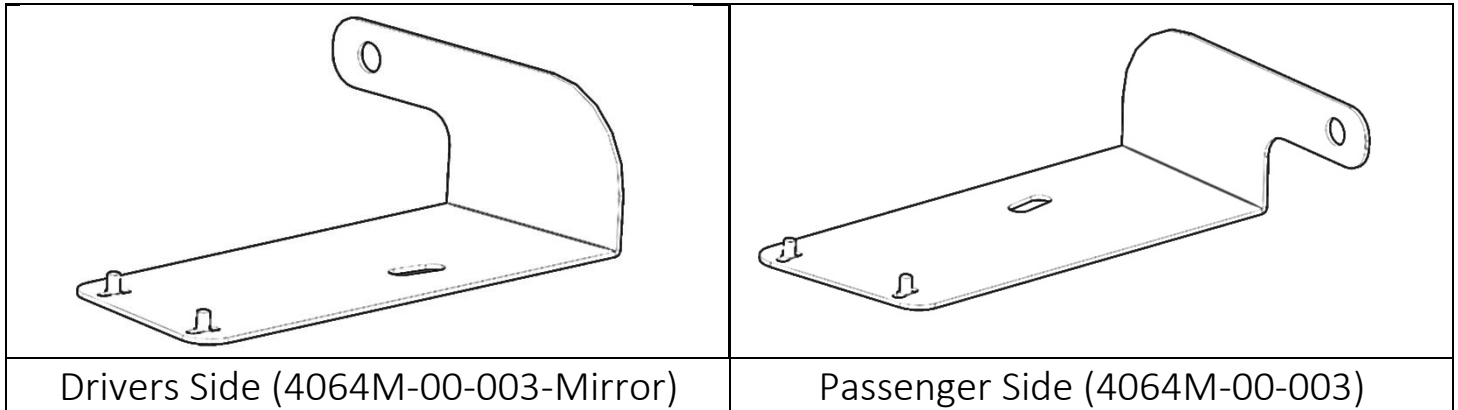
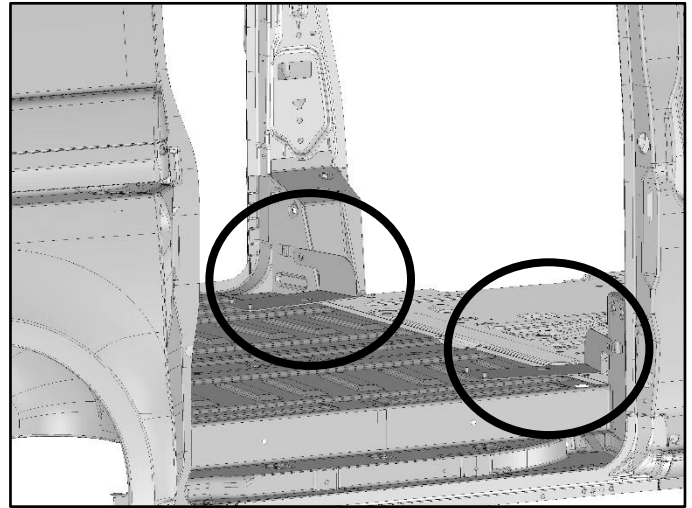


- Repeat 1 more time as shown.
- Leave bolts snug tight to allow movement until partition is placed into vehicle.
- The wings will be removed in order to install in vehicle.
- Repeat on both sides.



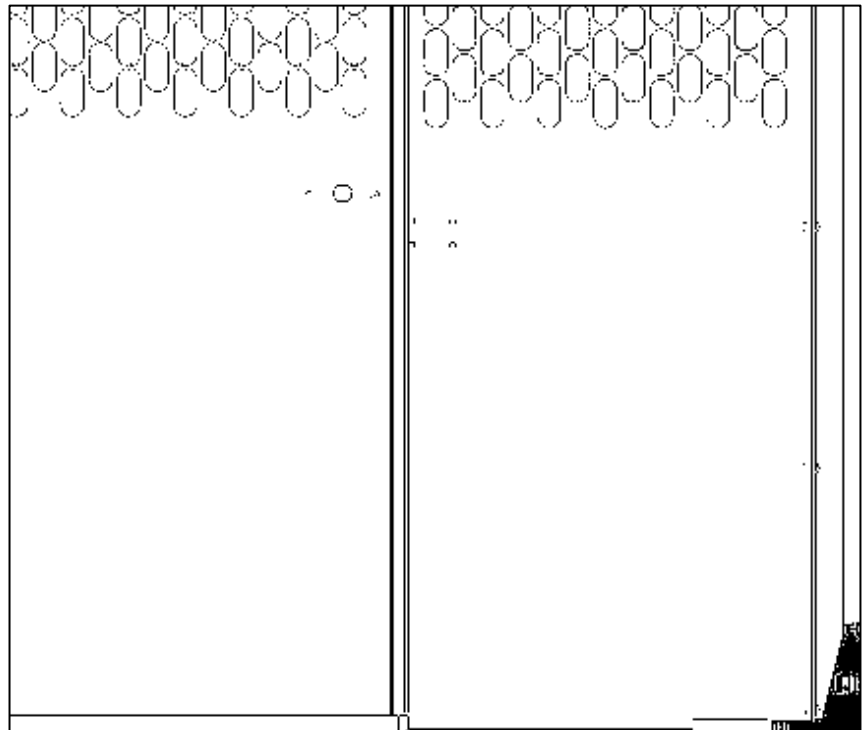
Step 2 – Install Floor Mounts

- Open slider of van, towards the front on the floor will be a D-Ring and allen head bolt.
- Remove D-Ring and bolt in the floor in the locations shown.
- Place 1/4" carriage bolts underneath the two slots at the end of each floor mount bracket (D&E).
- Place both floor mounts into van.
- Align with D-Ring and bolt that is in the floor.
- Replace D-Ring and bolt.
- Snug tighten, but allow movement.



Step 3 – Prepare “B” Pillar

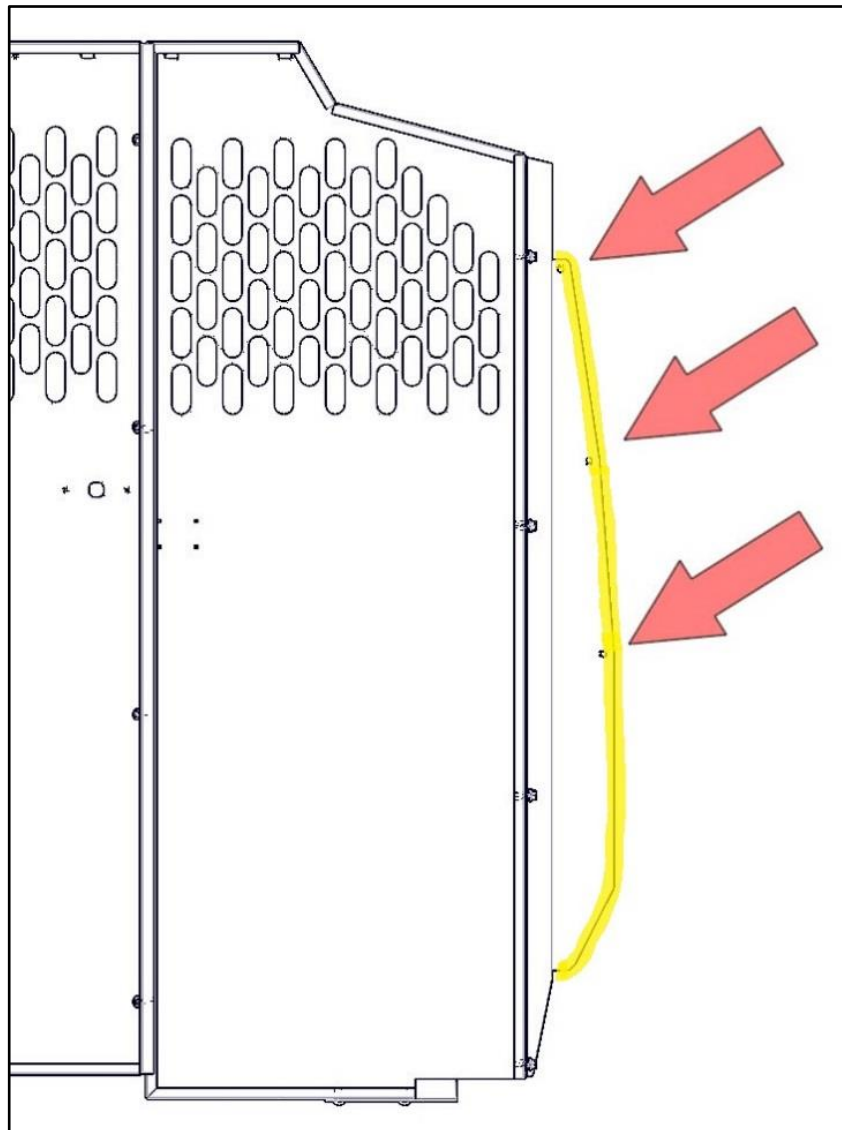
- Place assembled partition with wings into van. The bottom of the partition will sit on top of the 1/4" carriage bolts from Step 2.
- Have the holes in the partition on the passenger side and the wings towards the “B” pillar.



VIEW FROM REAR OF VAN

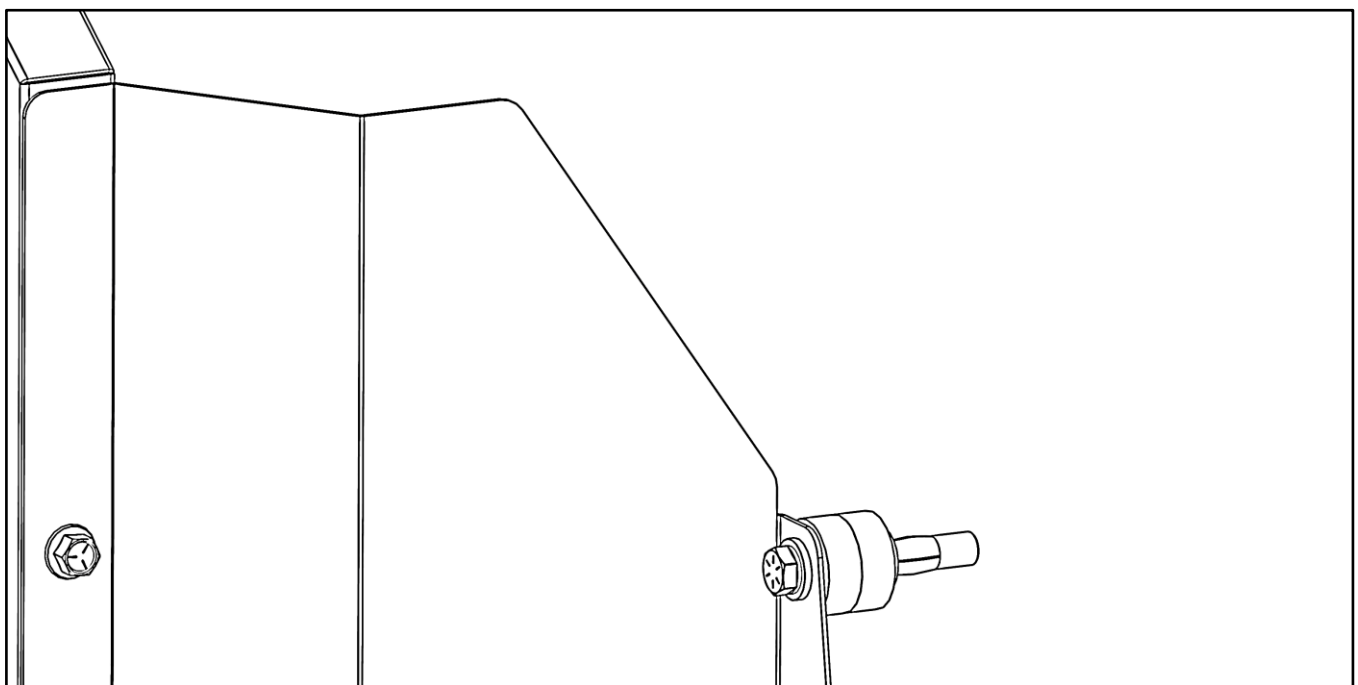
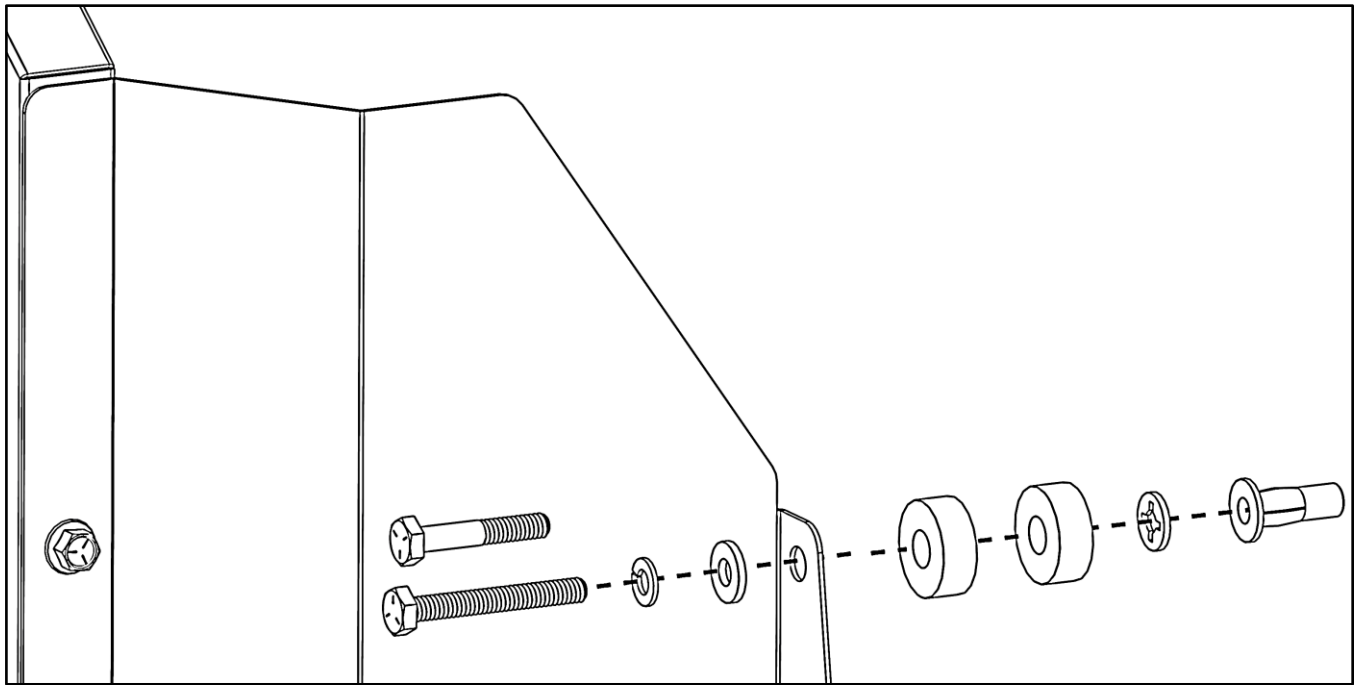
Step 3 – Prepare “B” Pillar Con’t

- Align and square partition to your liking.
- Press wings firmly against “B” pillar.
- Mark holes along each wing (3x each) and the outer edge of the wing along each “B” pillar.
- Remove partition with wings from van.
- Prior to drilling or cutting, pry plastic away to expose underside, ENSURE IT IS SAFE TO DRILL.
- Cut away plastic on “B” pillar to expose corresponding holes along the metal “B” pillar.
- Option 1, Use a 2” holesaw where holes were marked.
- Option 2, Cut along edge of wing to expose more of the metal “B” pillar. This option tends to make for an easier installation.



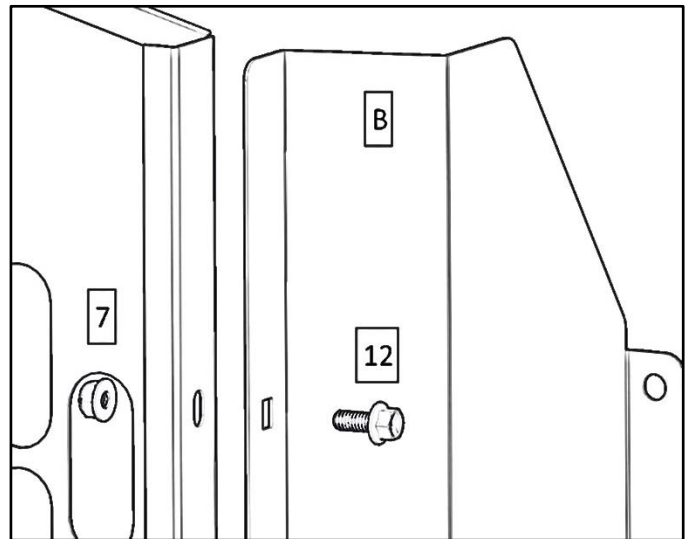
Step 4 – Install Wings

- Locate the holes that correspond with the wings along the metal “B” pillar. These holes will be where the arrows are shown in Step 3.
- Drill these 3 holes on each pillar using a 25/64” bit.
- Install plusnut.
- Bolt wings to previously installed plusnuts using 1/4" x 1-1/2" or 2" hex head, 1/4" lock washer, 1/4" flat washer, two 3/8" spacers, 1/4" retaining washer and a retaining washer in the order shown.
- Repeat on both sides, for a total of 6x.
- Snug tighten, but allow movement.

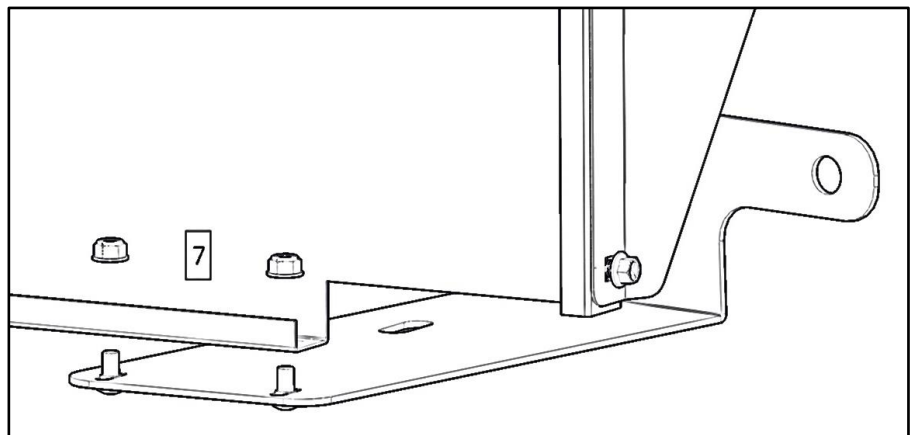


Step 5 – Install Partition

- Place partition back into van.
- Set on top of 1/4" carriage bolts protruding through the floor mount brackets (D&E)
- Align and bolt both sides of partition with previously installed wings using 1/4" x 5/8" flanged hex head and a 1/4" flanged nyloc nut. Similar to Step 1.
- Repeat for all slots on both wings for a total of 8 times.

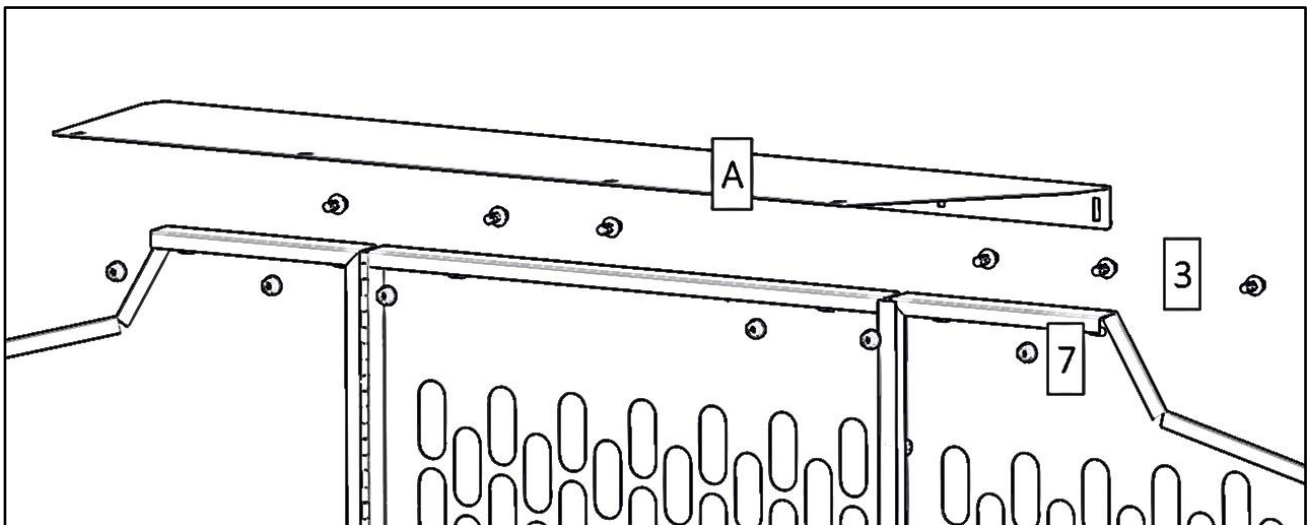


- Bolt the bottom of the partition to the carriage bolts using 1/4" flanged nyloc nuts.
- Repeat for a total of 4x.
- Snug tighten, but allow movement.



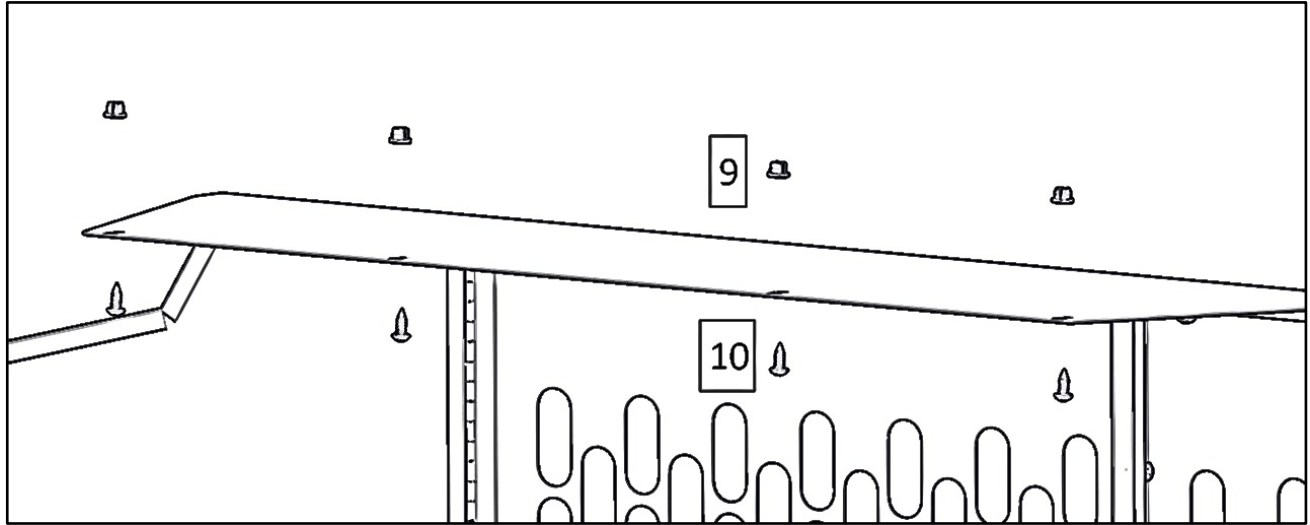
Step 6 – Install Top Wing

- Install top wing onto the top of the partition.
- The panel will extend towards the rear of the van.
- Bolt top wing (A) to partition using 1/4" x 5/8" flanged HH and 1/4" flanged nyloc nuts.
- Repeat for a total of 6 times.



Step 7 – Attach Top Wing

- Along the roof of the van will be a cross support near the slot end of the top panel.
- Along the cross support, near the slots there will be squares cut into the cross support.
- Push plastic nut clip into these squares.
- Press top wing firmly against cross support.
- Screw through the top wing into the nut clips using #12 pan head screw.
- Repeat for a total of 4 times.



Square and align partition.
Tighten all bolts from previous steps.
Installation is now complete.

