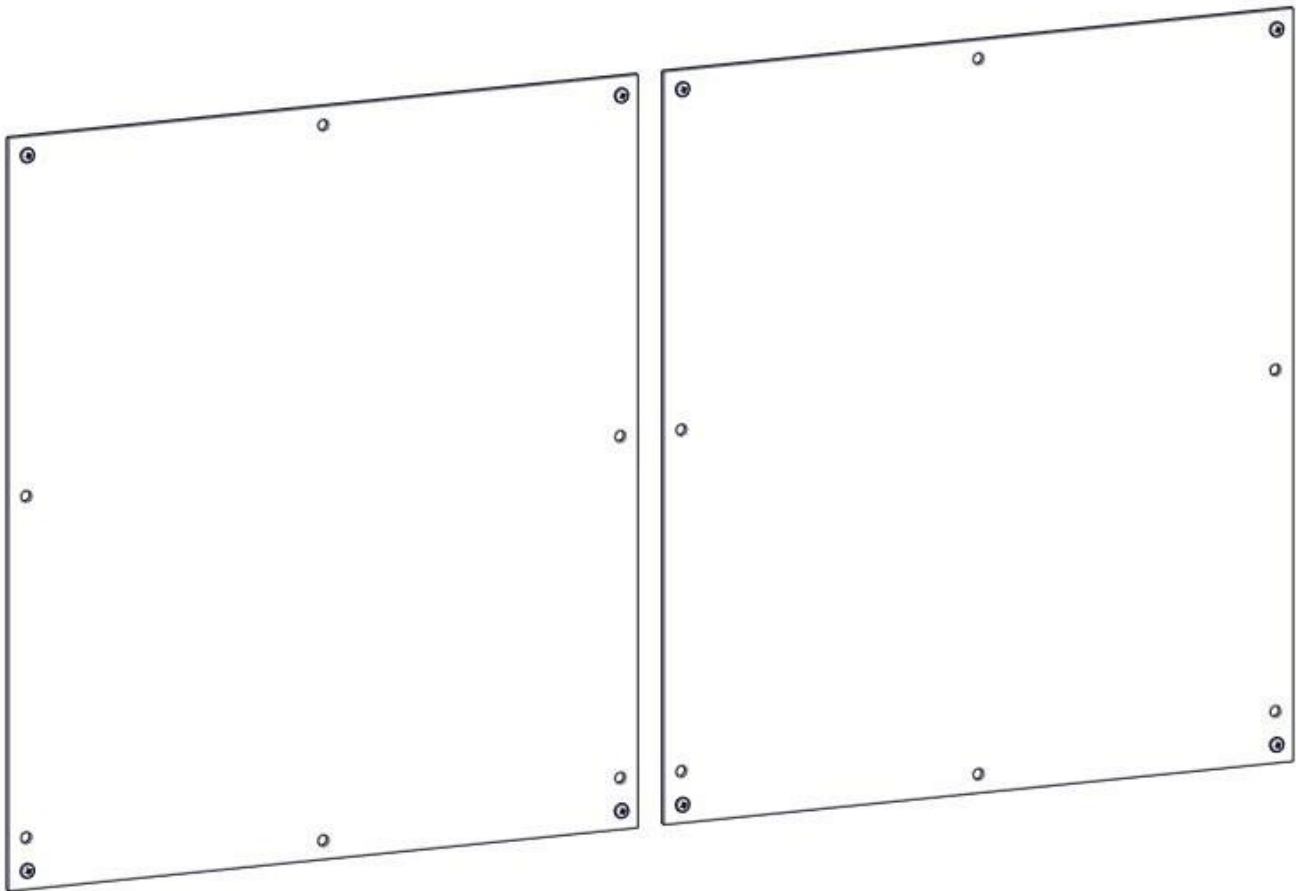


# Holman

---

## Instruction Guide 40654

---



---

Holman  
Rancho Cordova, CA 95742  
800-343-7486  
[InstallationSupport@Holman.com](mailto:InstallationSupport@Holman.com)

**PLEASE READ ALL INSTRUCTIONS AND WARNINGS PRIOR TO ASSEMBLING, INSTALLING, AND USING THIS PRODUCT.**

**Warning**



Always check for electrical wires, fuel tanks and lines, brake lines and other important vehicle functionality items prior installing any product.

**Tools Needed**

#2 Phillips Head Screw Driver	5/16" Box Wrench
-------------------------------	------------------

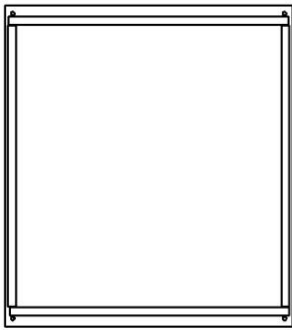
**Table of Contents**

Parts List..... 1  
 Hardware ..... 1  
 Install Partition Cover..... 2



**Before You Begin**

- Read all instructions prior to installing any Holman product.
- Refer to 40651, 40655, 40660, 40665 installation instructions for installing the partition.

**Parts List**

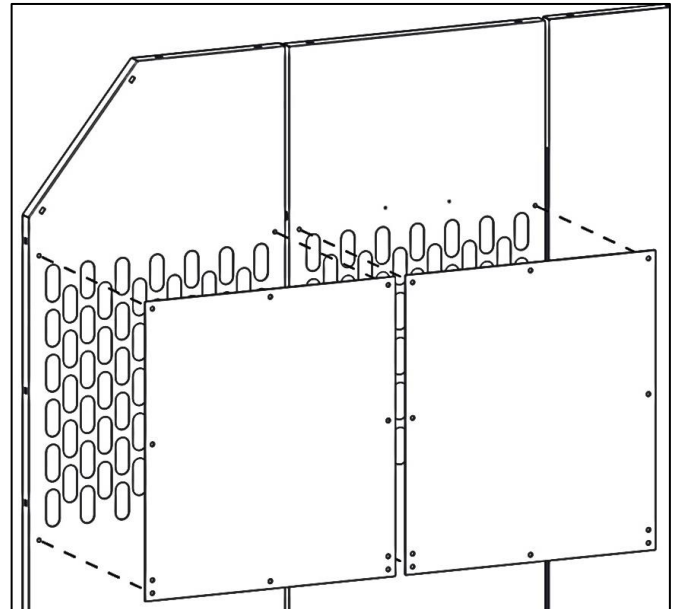
NO.	ITEM	PART NUMBER	DESCRIPTION	QTY.
1		40654-01	TRANSPARENT PERFORATED PATITION COVER	2
2		18-40654	HARDWARE KIT	1

**Hardware**

ITEM	HARDWARE TO SCALE	PART NUMBER	DESCRIPTION	QTY.
1		93298A109	10-32 FLANGED NYLOC NUT	16
2		0149499	10-32 X 5/8" PHILLIPS HEAD SCREW	16

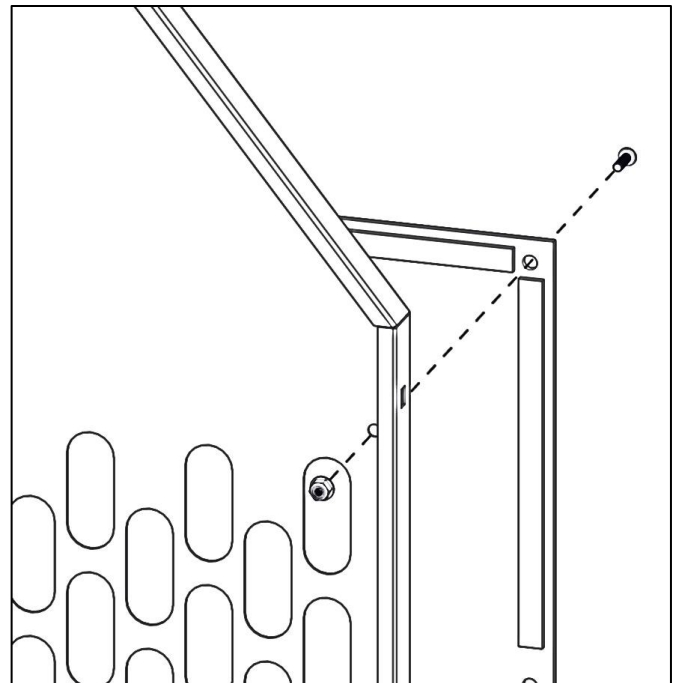
## Install Partition Cover

- Hold partition cover firmly against front of partition with holes in partition cover, aligned with holes in partition, and the foam seal towards partition. Front of partition is opposite the flanged side.



- Using eight #10 x 5/8" screws and eight #10 lock nuts, loosely attach the partition cover to the partition
- DO NOT TIGHTEN screws until all screws have been loosely installed.
- Tighten all screws.

**Note: To avoid potential damage do not over tighten or use an impact to tighten.**



**GO BACK AND TIGHTEN ALL HARDWARE.**

**ASSEMBLY IS COMPLETE.**