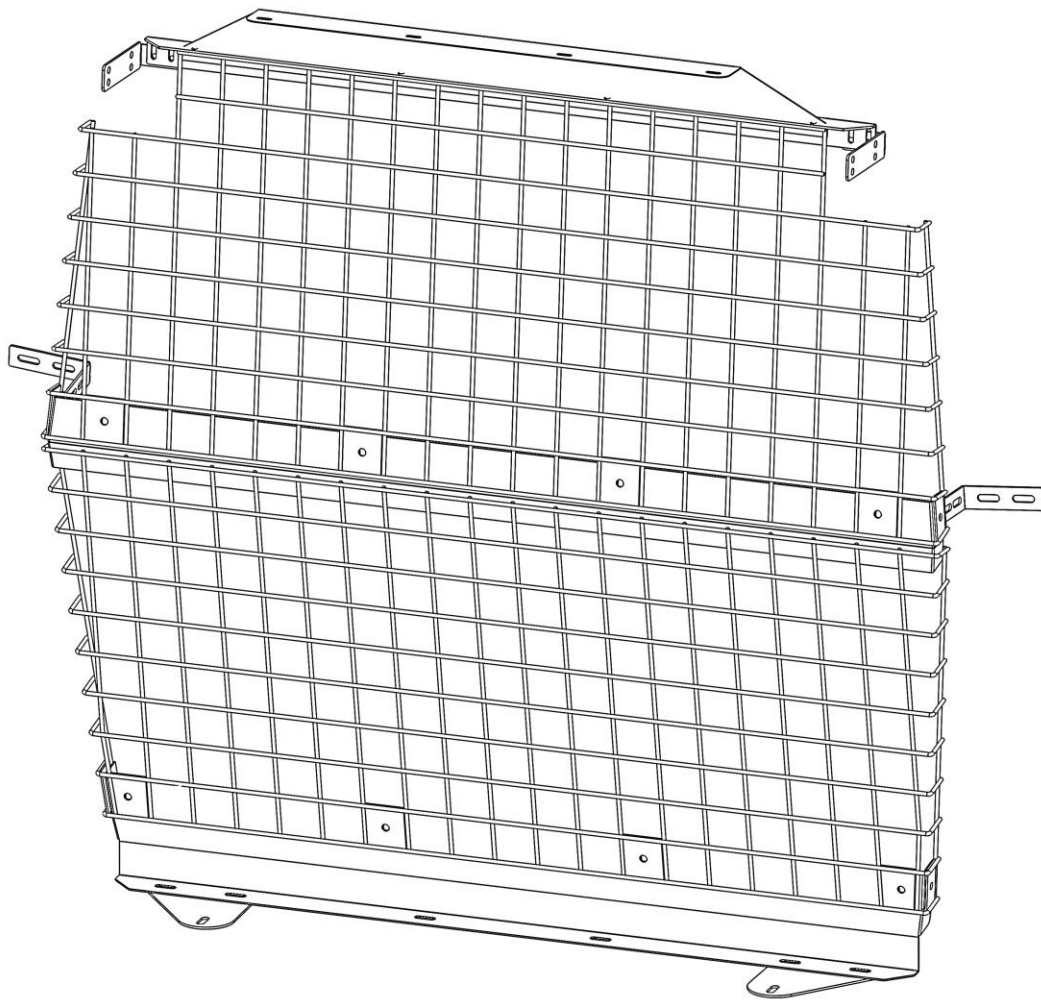


Holman

Instruction Guide 40680



Holman
Rancho Cordova, CA 95742
800-343-7486
InstallationSupport@Holman.com

PLEASE READ ALL INSTRUCTIONS AND WARNINGS PRIOR TO ASSEMBLING, INSTALLING, AND USING THIS PRODUCT.

Warning



Always check for wires, fuel tanks and lines, brake lines and other important vehicle functionality items prior to drilling and installing all products.

Tools Needed

5/32" Allen Hex	7/16" Socket and Wrench
1/2" Socket and Wrench	3/8" Socket and Wrench
13mm Socket and Wrench	10mm Socket and Wrench
Plus Nut Installation Tool (P9902)*	

* Sold Separately.

Table of Contents

Parts List 2

Hardware 3

Plus Nut Installation 4

Step 1 – All Vehicles - Assembly 5

Step 2TC –Transit Connect - Attaching Floor Mounts 7

Step 3TC – Transit Connect – Attaching Upper Mounts to Mount Rail 8

Step 4TC – Transit Connect – Attaching Upper Mount to Partition 9

Step 5TC – Transit Connect – Attaching Upper Mount to Van 10

Step 6TC – Transit Connect – Attaching Floor Mount to Van 11

Step 7TC – Transit Connect – Attaching Van Mounting Bracket to B-Pillar 12

 Installation using sheet metal screw 12

 Installation using plus nut 12

Step 2NV – NV200/City Express – Attaching Upper Mount to Partition 13

Step 3NV – NV200/City Express – Floor Mount to Van 14

Step 4NV – NV200/City Express – Upper Mounts to Van 15

Step 2PMC – ProMaster City – Attaching Upper Mount to Partition 16

Step 3PMC – ProMaster City – Upper Mount to Van 17

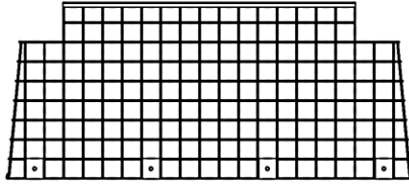
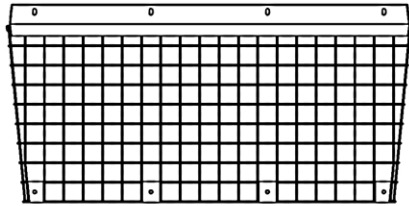

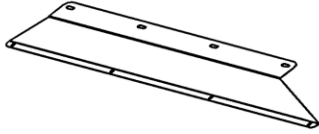
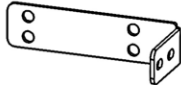
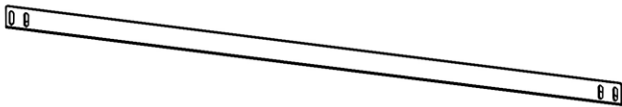

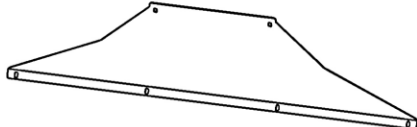
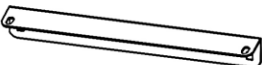

Step 4PMC – ProMaster City – Install Lower Mount to Van Floor 18

Step 5PMC – ProMaster City – Upper Mount to Partition 19


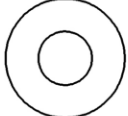

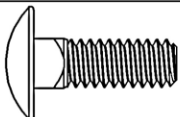
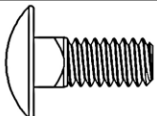
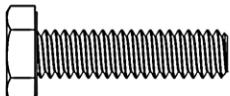
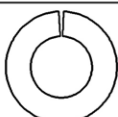
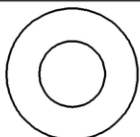
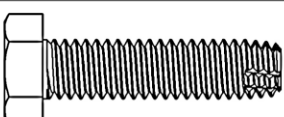

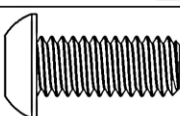
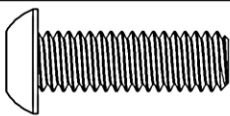
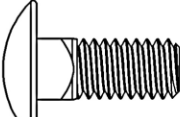
Before You Begin

- Read all instructions prior to installing any Holman product.

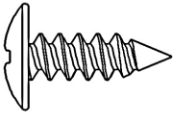
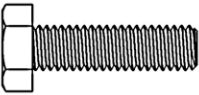
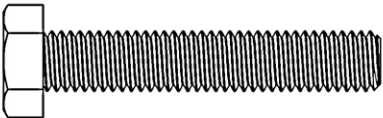
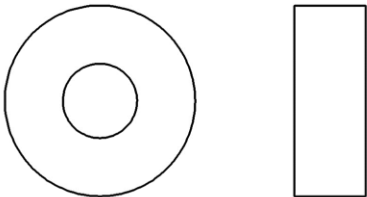
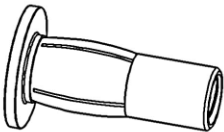
Parts List

ITEM NO.	ITEM	PART NUMBER	DESCRIPTION	QTY.
1		40668-811	WIRE TOP ASSY	1
2		40668-821	WIRE BOTTOM ASSY	1
3		40668-221	BOTTOM PLATE	1
4		40667-10-003	UPPER MOUNT - NV200	1
5		40667-10-007	UPPER MOUNT - 2014 TC	2
6		40667-10-008	UPPER MOUNT RAIL - 2014 TC	1
7		40667-10-011	BASE PLATE - 2014 TC	2
8		40667-10-012	RAM CITY TOP MOUNT	1
9		40667-10-013	RAM CITY TOP BRACKET	1
10		4016T-10-005	VAN MOUNTING BRACKET	2
11		18-40668	40668 HARDWARE KIT	1

Hardware

ITEM	HARDWARE TO SCALE	PART NUMBER	DESCRIPTION	QTY.
1		33618	1/4" LOCK WASHER	4
2		33078	1/4" WASHER	12
3		37018	1/4"-20 NYLON INSERT LOCK NUT	10
4		21800	1/4"-20 X 5/8" CARRIAGE BOLT	2
5		21801	1/4"-20 X 3/4" CARRIAGE BOLT	8
6		13005	1/4"-20 X 1" HEX HEAD BOLT	2
7		1133620	5/16" LOCKING WASHER	4
8		33080	5/16" WASHER	37
9			5/16"-18 X 1-1/4" HEX HEAD SCREW, THREAD CUTTING	4
10		0169777	5/16"-18 LOCK NUT	16
11		0153308	5/16"-18 X 3/4" BUTTON HEAD SCREW	10
12		0185432	5/16"-18 X 1" BUTTON HEAD	2
13		21810	5/16"-18 X 3/4" CARRIAGE BOLT	4

Hardware (Continued)

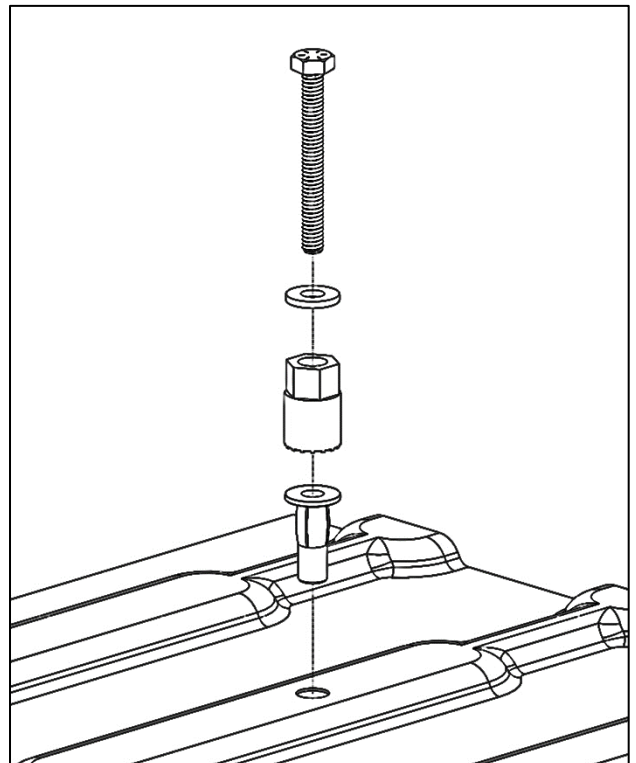
ITEM	HARDWARE TO SCALE	PART NUMBER	DESCRIPTION	QTY.
14		0142198	#14-10 X 3/4" PHILLIPS TRUSS SHEET METAL SCREW	2
15		38566	M6 X 1 X 25MM HEX HEAD BOLT	2
16			M8 X 1.25 X 45MM HEX HEAD, FULLY THREADED	4
17		11517442	3/8" ID X 1" OD X 3/8" NYLON SPACER	6
18		920313726	1/4"-20 PLUS NUT	2

Plus Nut Installation

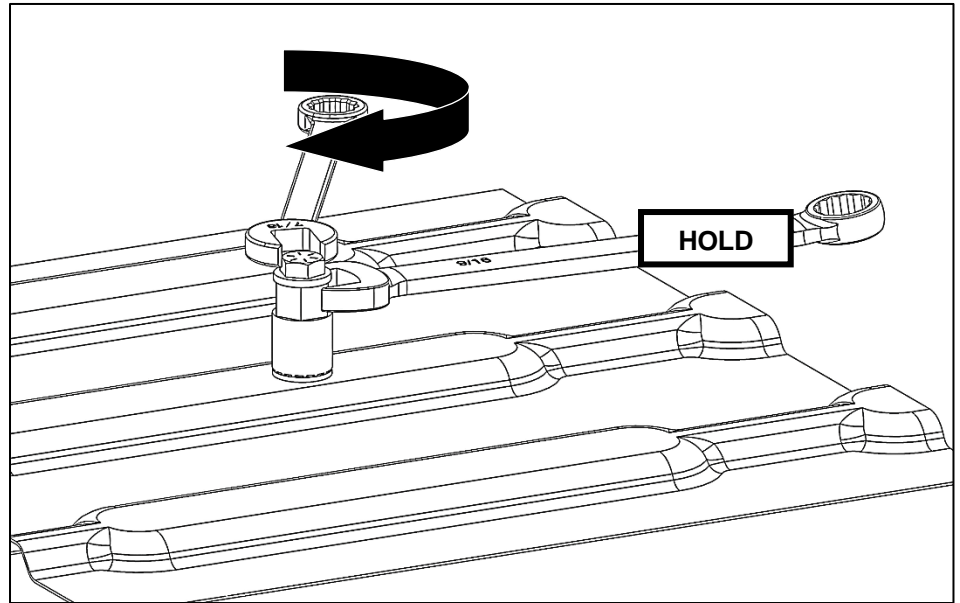


DO NOT drill beyond depth of floor. Always check that each location is clear of wires, fuel tanks and lines, brake lines and other important vehicle functionality items prior to drilling and installing any product.

- At each marked location, drill hole using 25/64" drill bit and appropriate sized drill-bit stop collar. If 25/64" drill bit is not available, a 3/8" drill bit can be used, although it may be necessary to tap in the plus nuts.
- Insert 1/4" x 2-1/4" hex head bolt through 1/4" flat washer and plus nut installation tool, and then screw bolt into plus nut. Knurled end of plus nut tool must be directed away from bolt head and contacting plus nut.
- Insert plus nut into hole with plus nut tool attached.

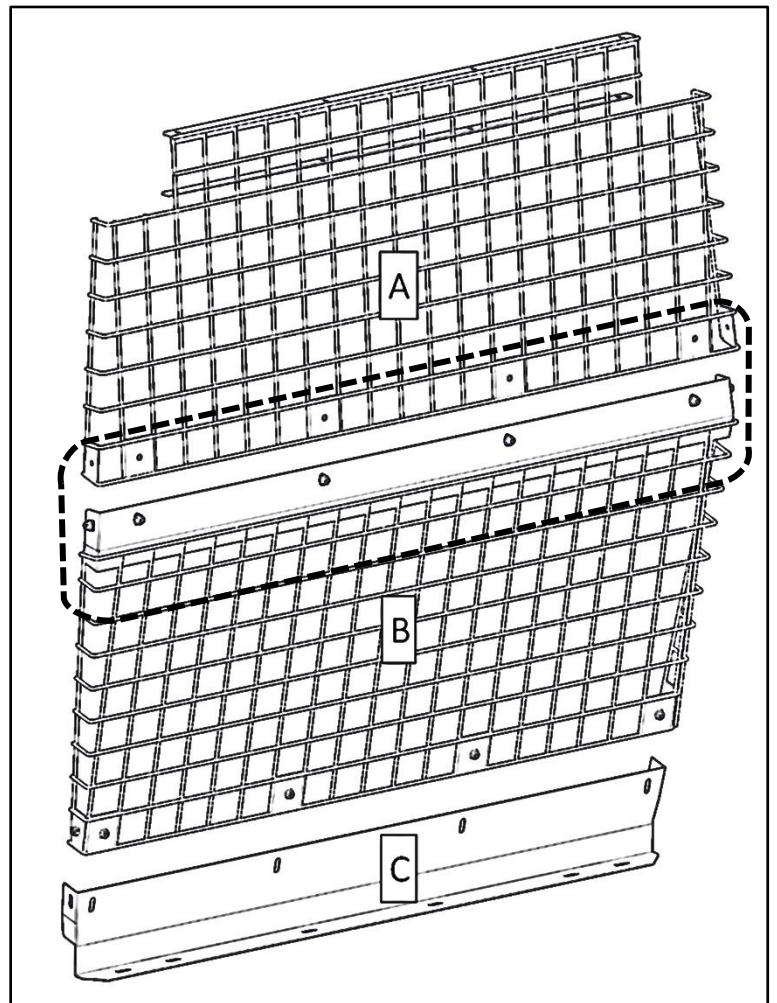


- Using the 9/16" box wrench, hold the plus nut tool stationary and then tighten hex head bolt until plus nut is tightly gripping and does not spin when hex bolt is loosened.
- DO NOT overtighten plus nut.
- Using the 9/16" box wrench, hold the plus nut tool stationary to remove the 1/4" hex head bolt.

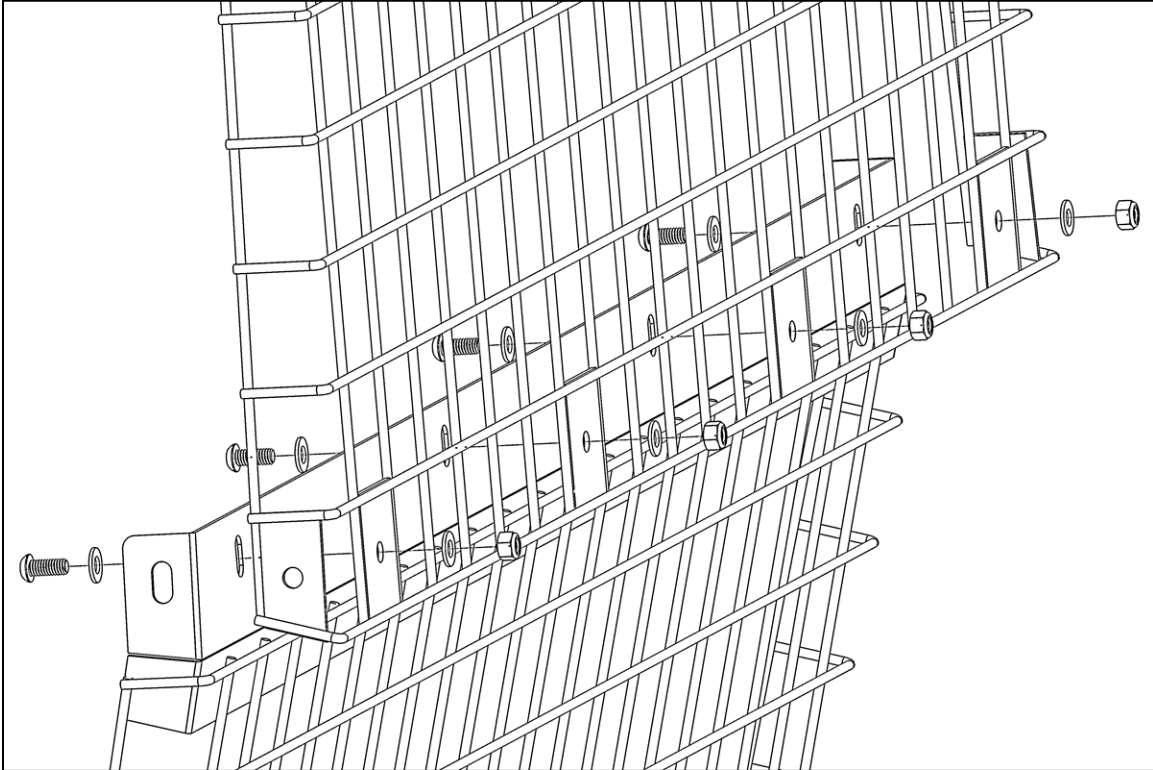


Step 1 – All Vehicles - Assembly

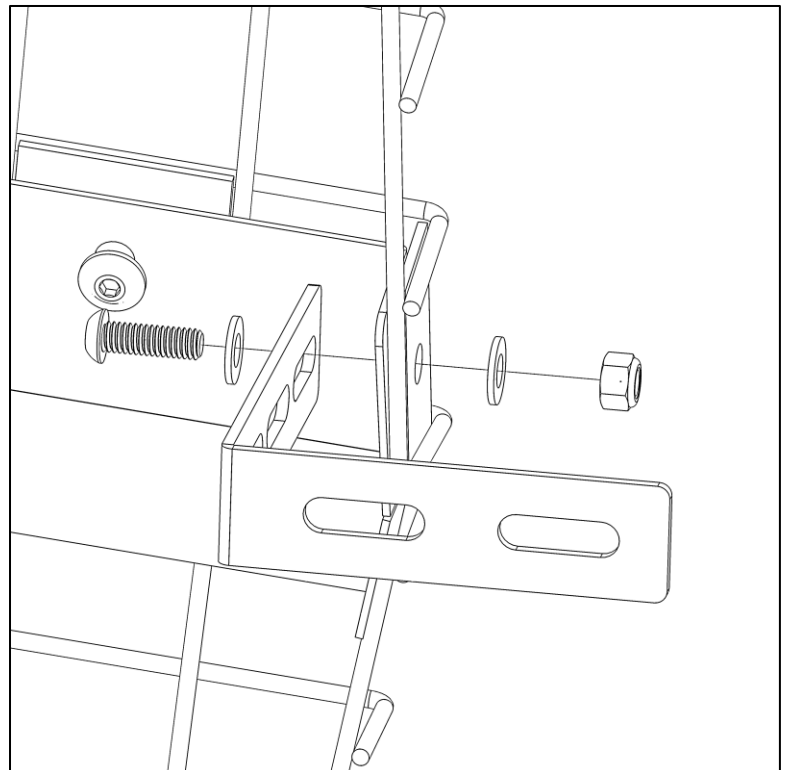
- Mount top wire assembly [A] to bottom wire assembly [B].



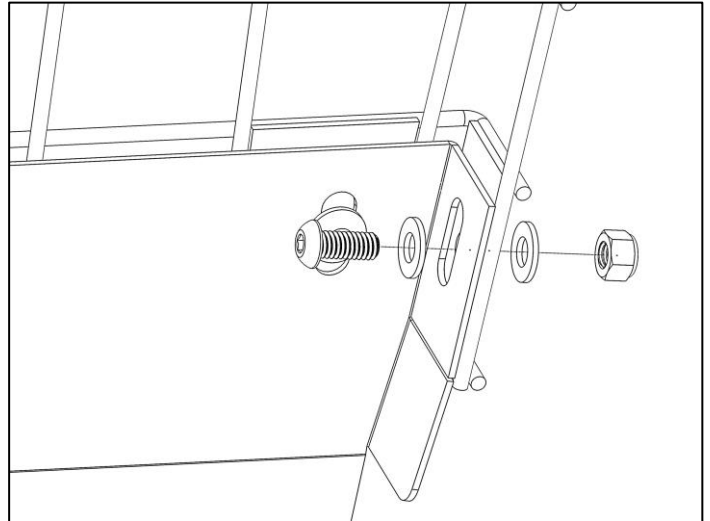
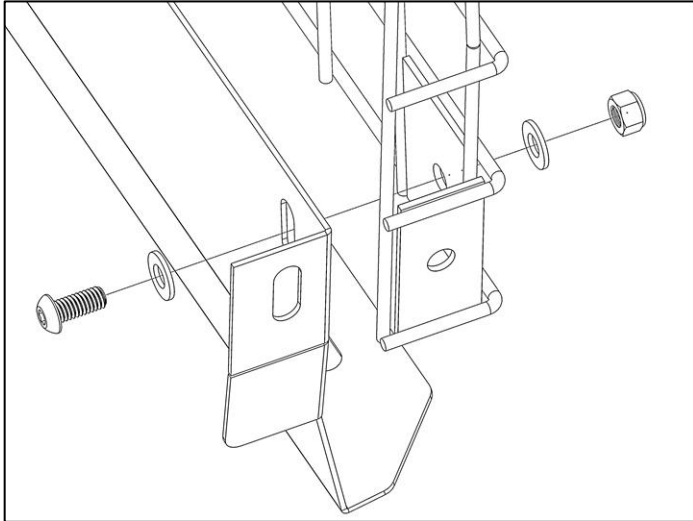
- Using four 5/16" x 3/4" button head cap screws, eight 5/16" flat washers and four 5/16" lock nuts, bolt through the bottom wire assembly and then through the top wire assembly.
- **SNUG TIGHTEN**, but still allow for movement.



- Using one 5/16" x 1" button head cap screws, two 5/16" flat washers, and one 5/16" lock nut, bolt through the side of the bottom wire assembly, through the top wire assembly, and then through the van mounting bracket.
- Repeat for opposite side.
- **SNUG TIGHTEN**, but still allow for movement.



- Mount bottom wire assembly [C] to bottom plate using six 5/16" x 3/4" button head cap screws, six 5/16" flat washers, and six 5/16" lock nuts.
- Snug tighten, but allow movement.

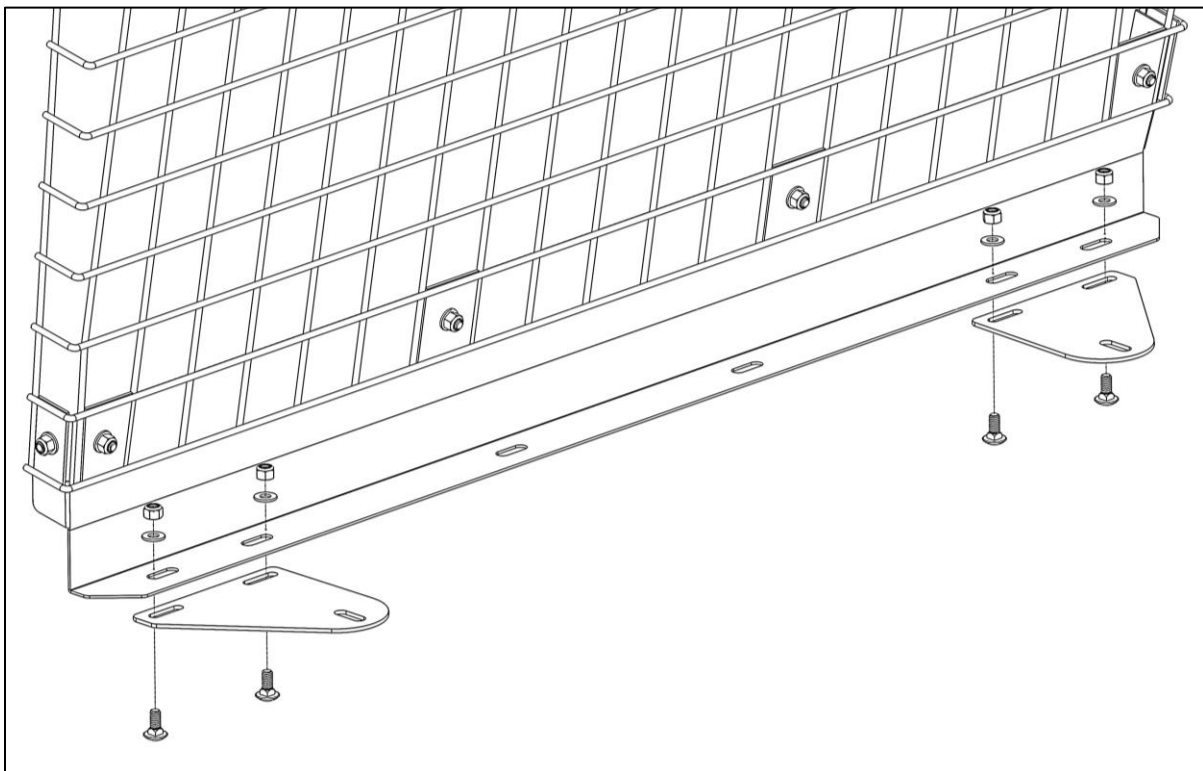


Skip to **Section 2NV** for NV 200/City Express Installation Instructions.

Skip to **Section 2PMC** for ProMaster City Installation Instructions.

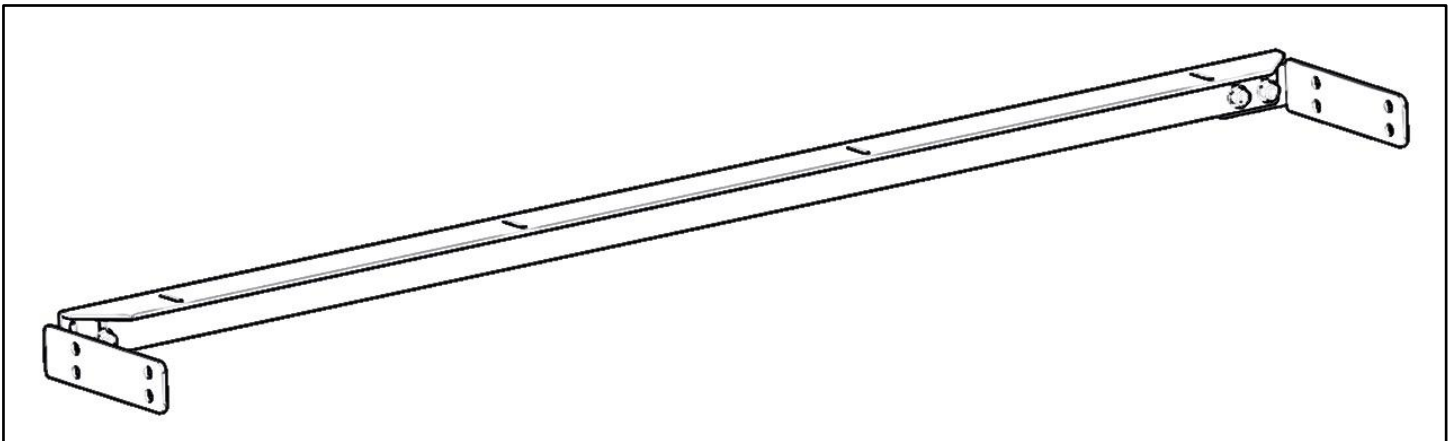
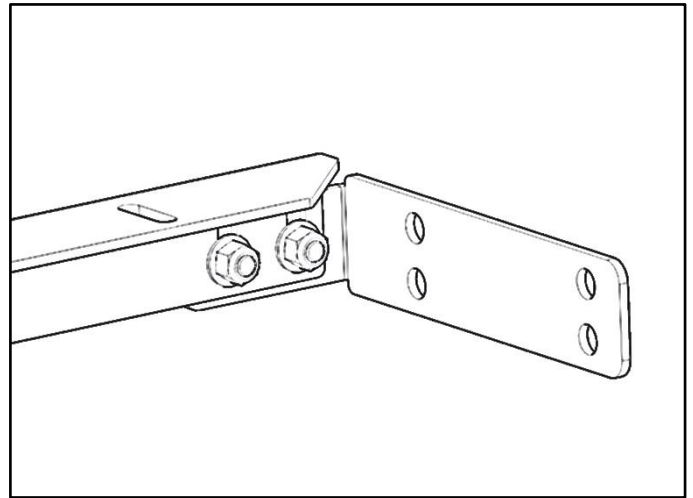
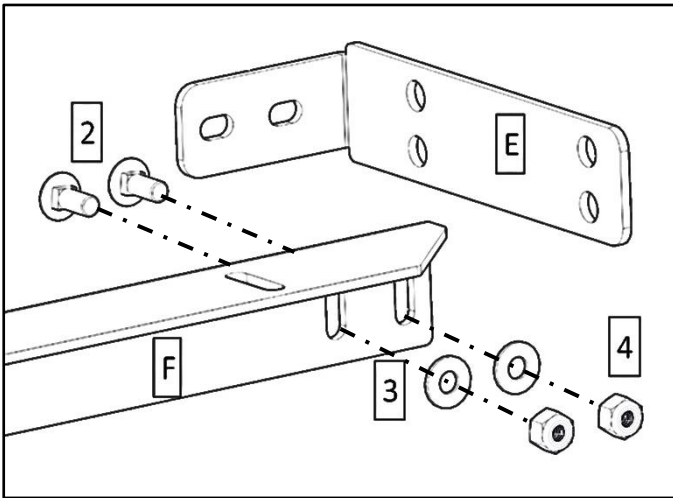
Step 2TC –Transit Connect - Attaching Floor Mounts

- For each base plate, use two 5/16" x 3/4" carriage bolts, two 5/16" washers, and two 5/16" lock nuts to bolt each base plate to the assembled partition. Be sure the base plate is in the orientation shown and the carriage bolts are oriented so the bolt head is against the floor mat.



Step 3TC – Transit Connect – Attaching Upper Mounts to Mount Rail

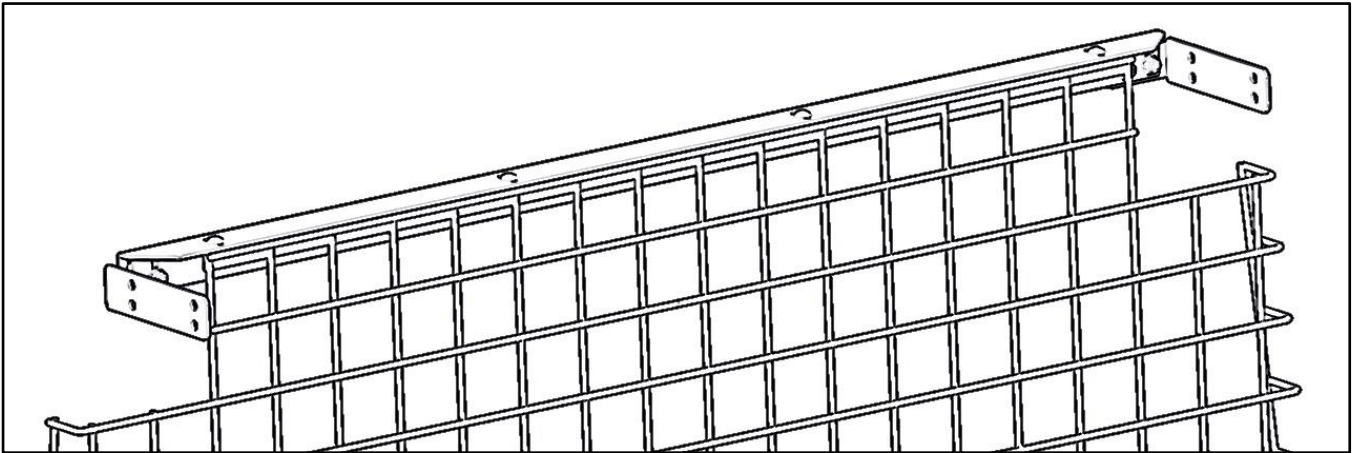
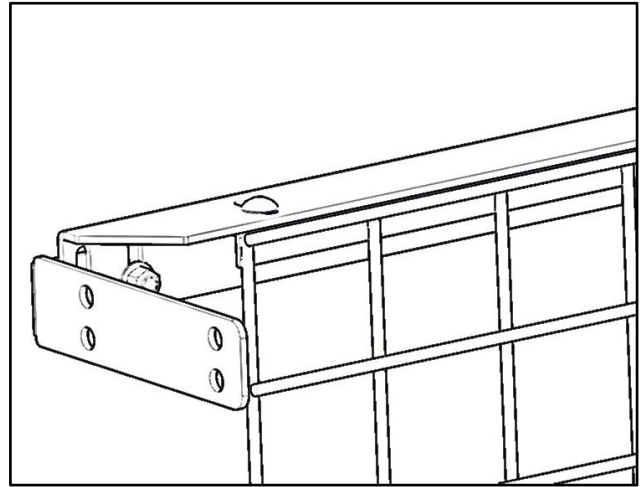
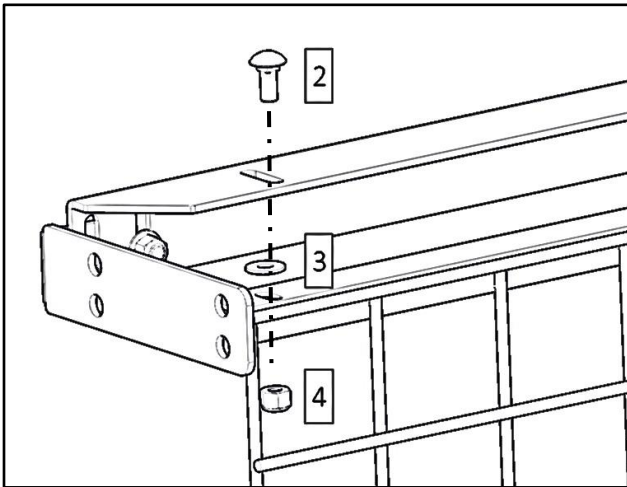
- Using two 1/4" x 3/4" carriage bolts, two 1/4" flat washers, and two 1/4" lock nuts, bolt the upper mount to the upper mount rail, as shown. Be sure the flange of both the upper mount and upper mount rail are in same direction.
- Repeat on opposite side.
- Snug tighten, but allow movement.



Step 4TC – Transit Connect – Attaching Upper Mount to Partition

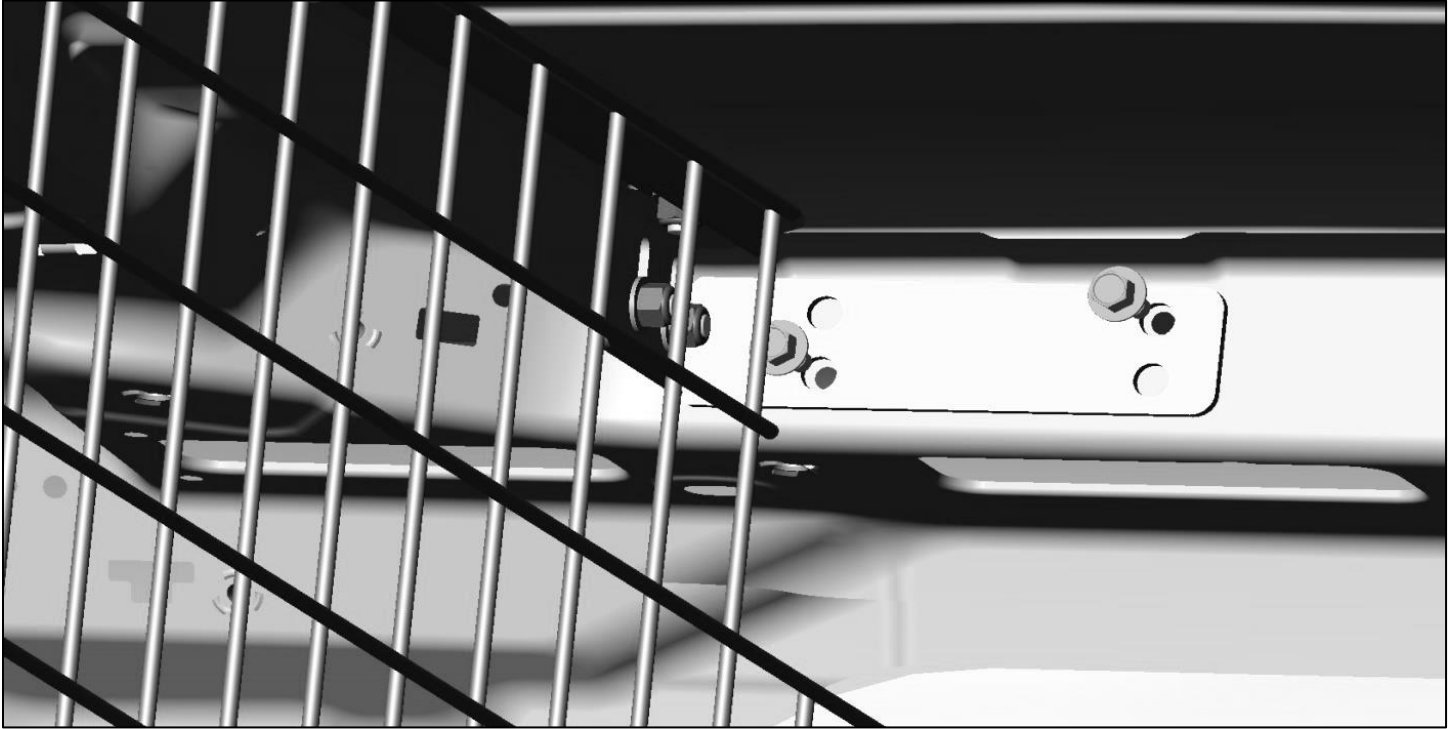
- Using four 1/4" x 5/8" carriage bolts, four 1/4" flat washers, and four 1/4" lock nuts, bolt the upper mount assembly to the partition, as shown.
- Snug tighten, but allow movement.

NOTE: In some situations, the partition may need to be placed into van before installing upper mounts.

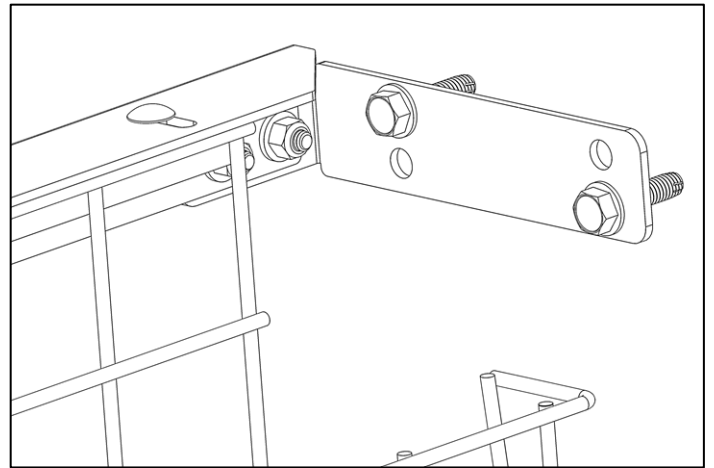
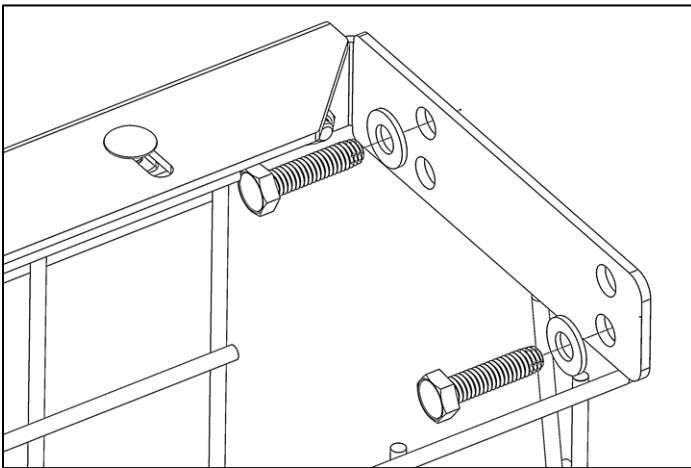


Step 5TC – Transit Connect – Attaching Upper Mount to Van

- Remove factory foam inserts from above sliding side door.
- Place partition in the van and line up the upper mounting brackets as shown.

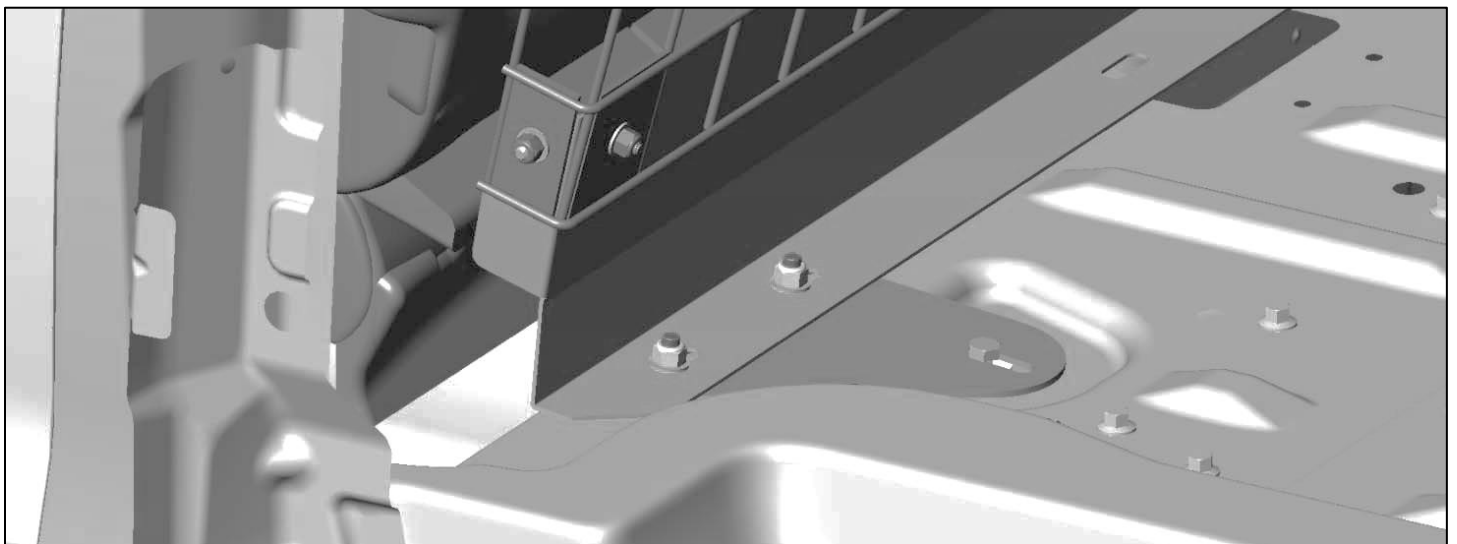
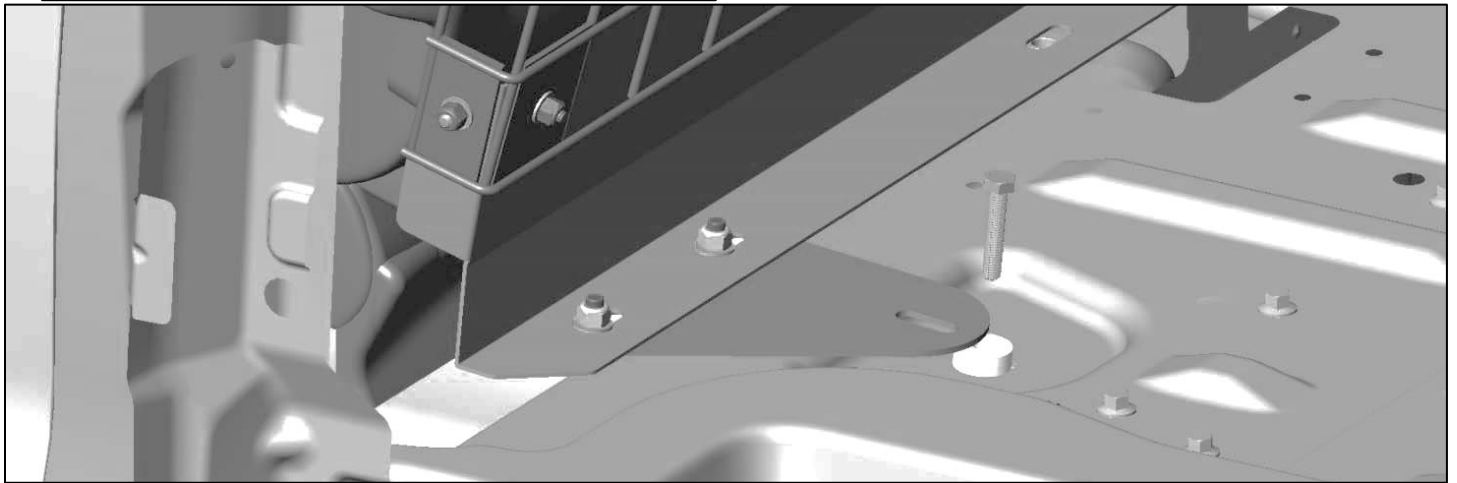
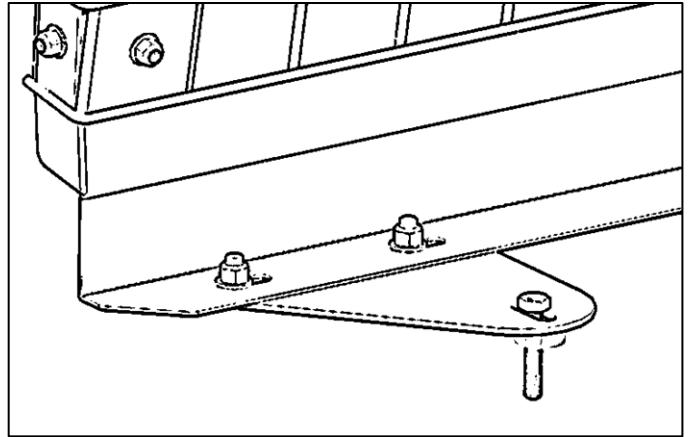
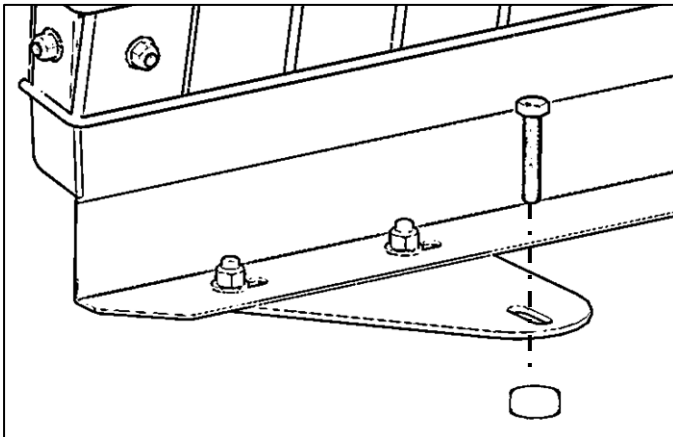


- Use 5/16" x 1-1/4" thread cutting screws to bolt upper mount to existing holes as shown.
- Repeat on opposite side.



Step 6TC – Transit Connect – Attaching Floor Mount to Van

- Remove factory D-rings from the floor inside of the sliding side door.
- Line up the base plate as shown.
- Place nylon spacer under base plate and align with factory mount.
- Use factory hardware removed earlier to bolt base plate to floor. (Bolt shown for reference.)
- Repeat on both sides.



Step 7TC – Transit Connect – Attaching Van Mounting Bracket to B-Pillar

NOTE: The van mounting bracket can be attached to the B-Pillar using a sheet metal screw or by installing a plus nut and bolting to the plus nut. Hardware for both is included.

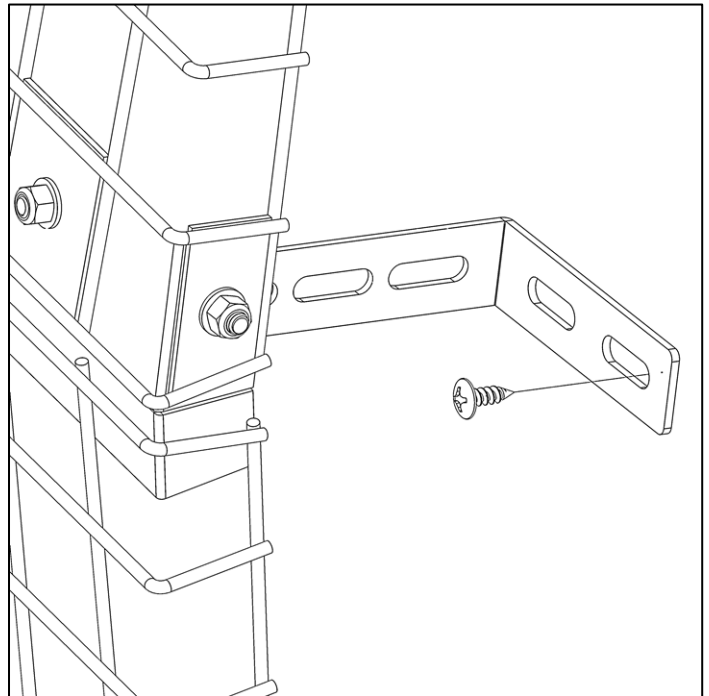


Always check that each location is clear of wires, fuel tanks and lines and other important vehicle functionality items prior to drilling and installing any product.

Installation using sheet metal screw

- Mark the plus nut installation location.
- Verify the location is clear of any electrical wiring or vehicle safety features.
- Using one #14 x 3/4" sheet metal screw, install the van mounting bracket to the B-pillar.
- Repeat on opposite side of partition.

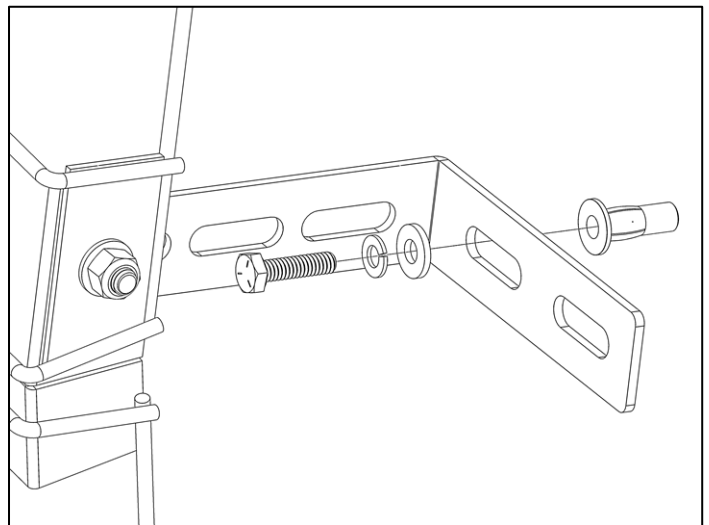
NOTE: Position shown is not necessarily the best position.



Installation using plus nut

- Mark the plus nut installation location.
- Verify the location is clear of any electrical wiring or vehicle safety features.
- Move bracket out of the way.
- Install plus nut into B-pillar per the Plus Nut Installation Instructions at the beginning of this document.
- Using one 1/4" x 1" hex head bolt, one 1/4" lock washer, one 1/4" washer, fasten van mounting bracket to plus nut.

NOTE: Position shown is not necessarily the best position.

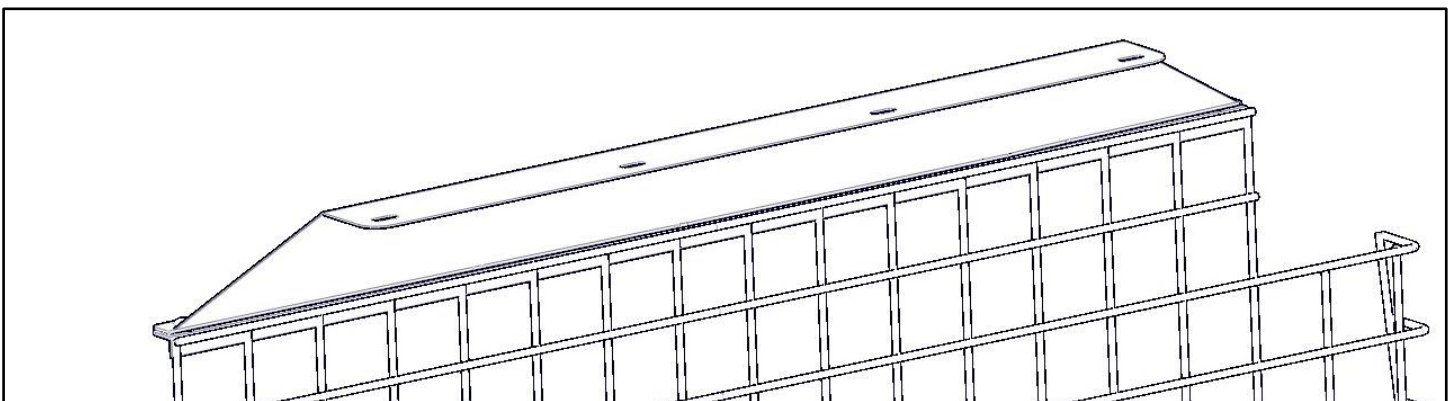
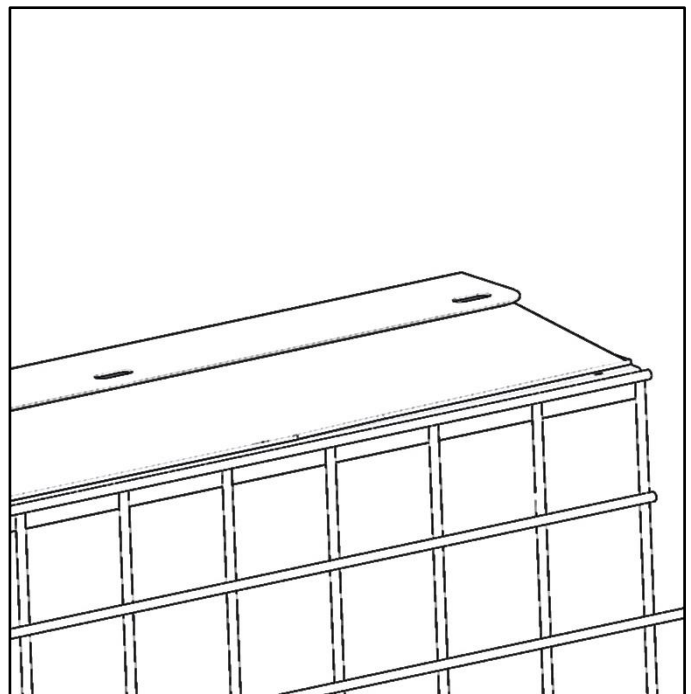
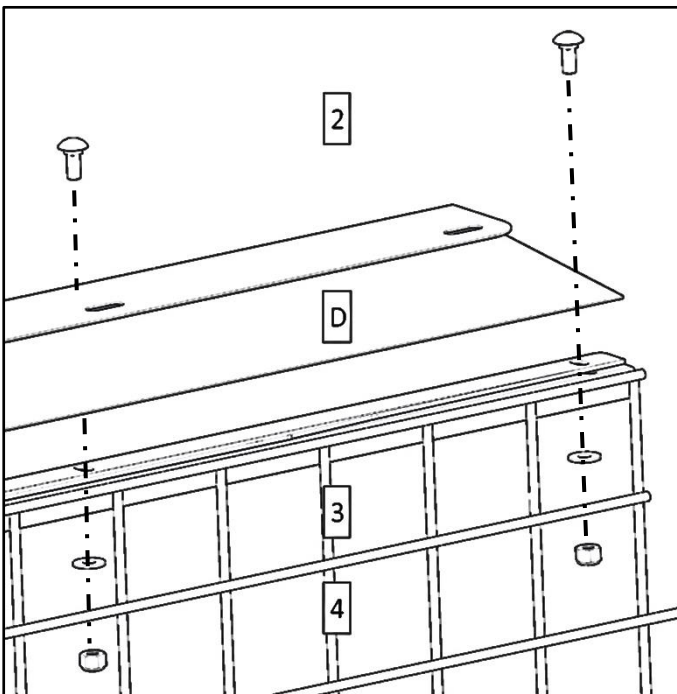
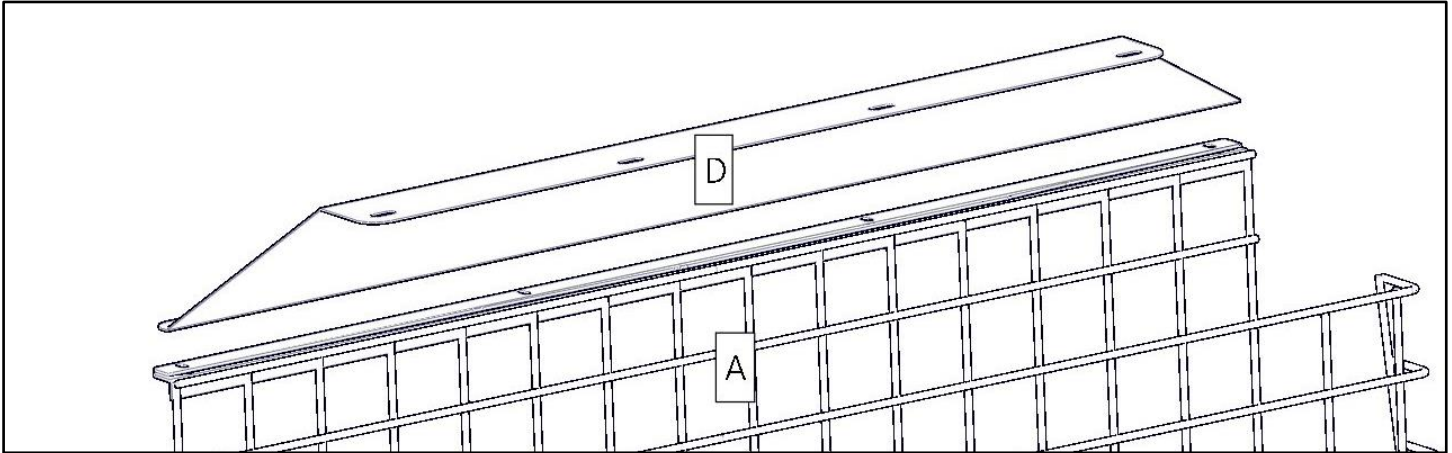


Tighten ALL hardware.

Your installation is now complete.

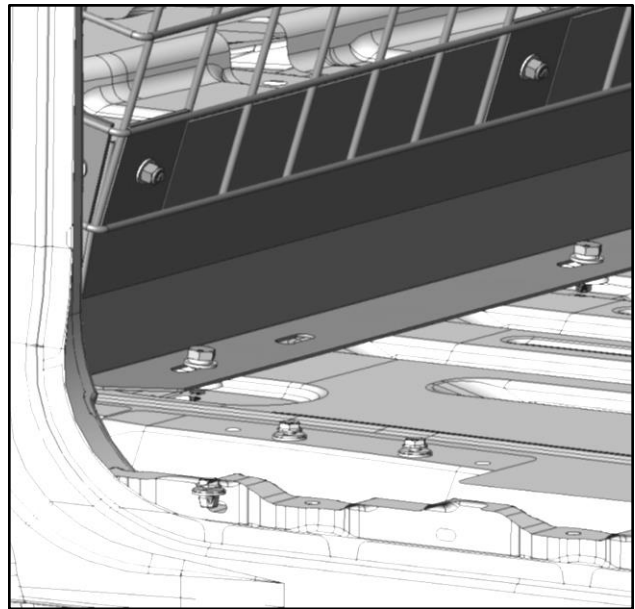
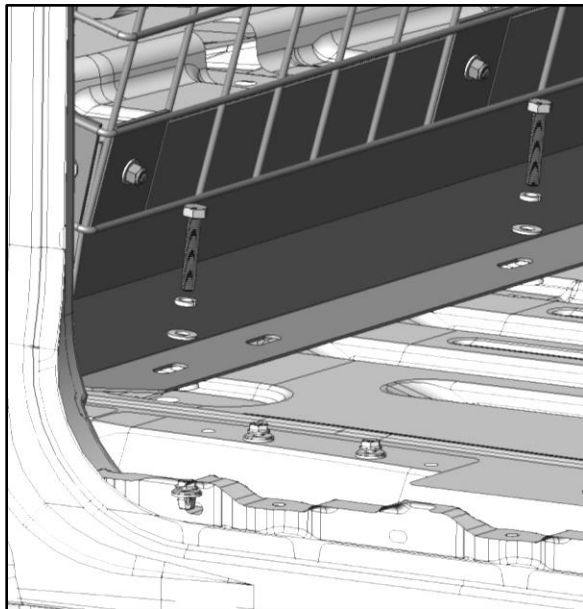
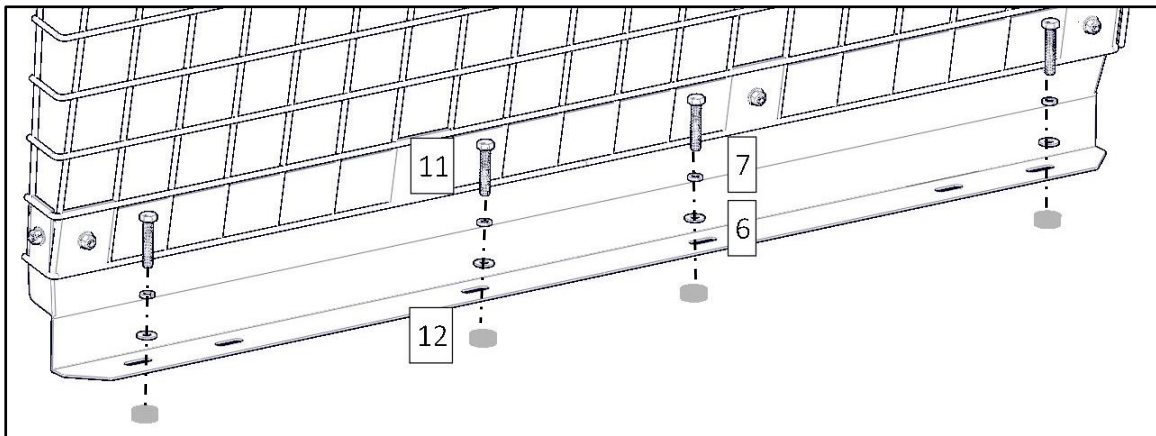
Step 2NV – NV200/City Express – Attaching Upper Mount to Partition

- Using four 1/4" x 3/4" carriage bolts, four 1/4" flat washers, and four 1/4" lock nuts, bolt upper mount to the partition in the orientation shown.
- Snug tighten, but allow movement.



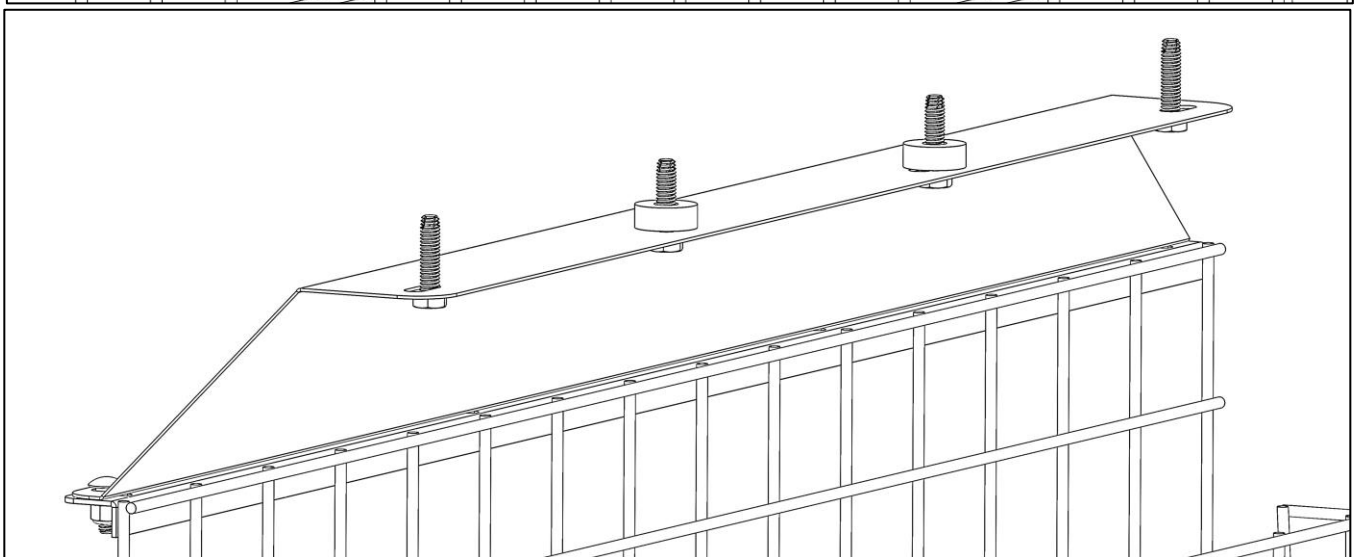
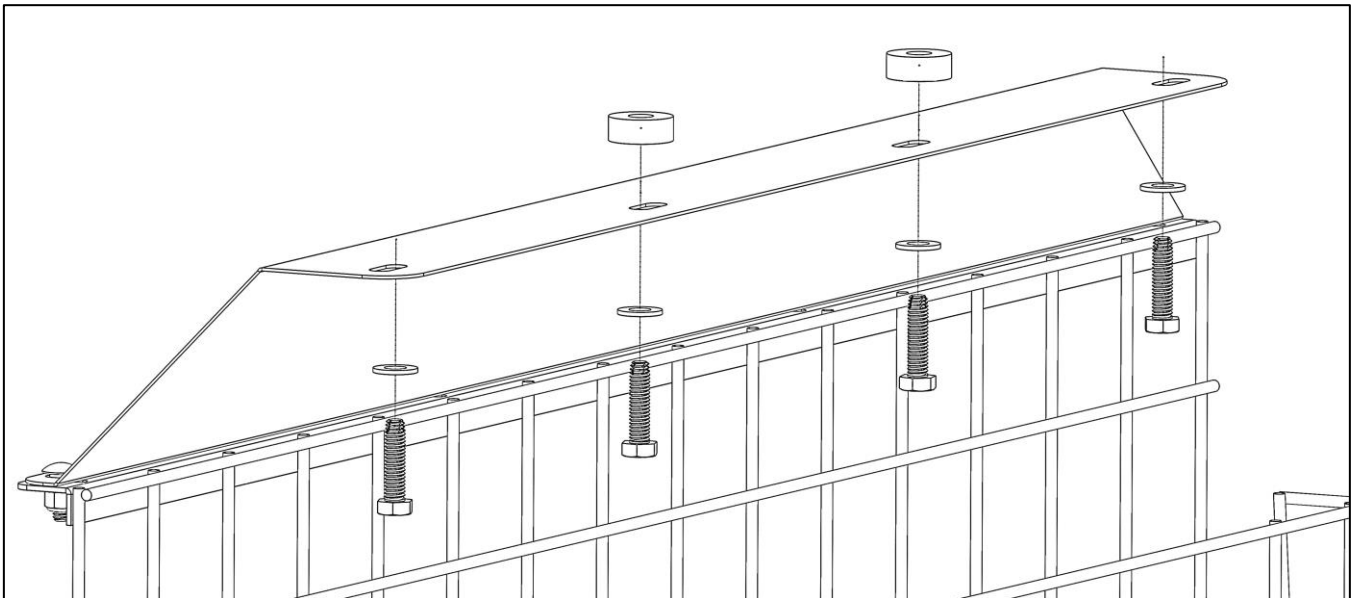
Step 3NV – NV200/City Express – Floor Mount to Van

- Remove D-Rings from the floor of the van. These are located inside the slider door.
- Place partition into van. Have the bends in the wire towards the front of the vehicle.
- Align the outside holes with the holes from the previous removed D-Rings.
- Mark the center two holes onto the van floor mat.
- Remove partition and cut mat away to expose center two mount locations.
- Replace partition.
- Using four M8 x 45mm hex head bolts, four 5/16" lock washers, and four 5/16" flat washers, bolt bottom plate to the floor of the van in the orientation shown. If necessary, insert a nylon spacer under bottom plate.
- Snug tighten, but allow movement.



Step 4NV – NV200/City Express – Upper Mounts to Van

- Remove headliner fasteners.
- Line top of partition with the holes where the headliner fasteners were removed.
- Use nylon spacers in the center two holes.
- Fasten upper mount to roof using four 5/16" x 1-1/4" thread cutting screws, four 5/16" lock washers, and four 5/16" washers.
- TIGHTEN.
- Go back and tighten floor mounts.

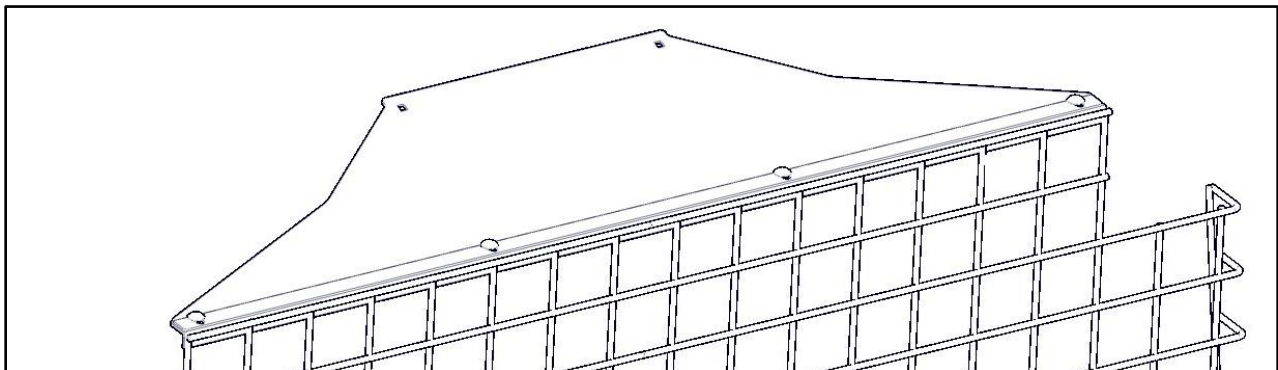
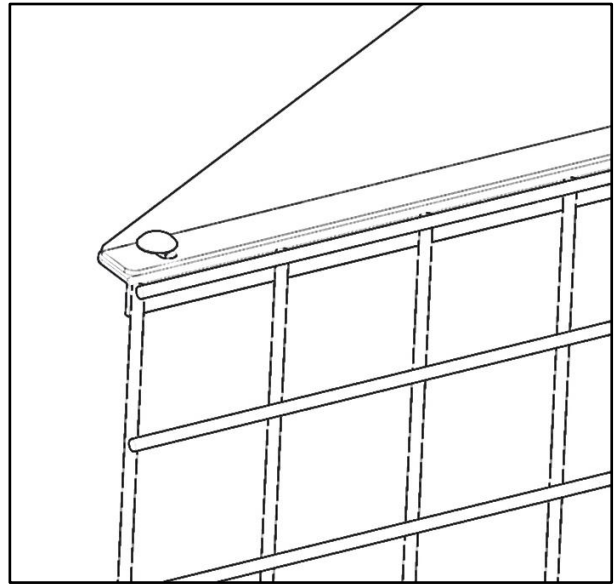
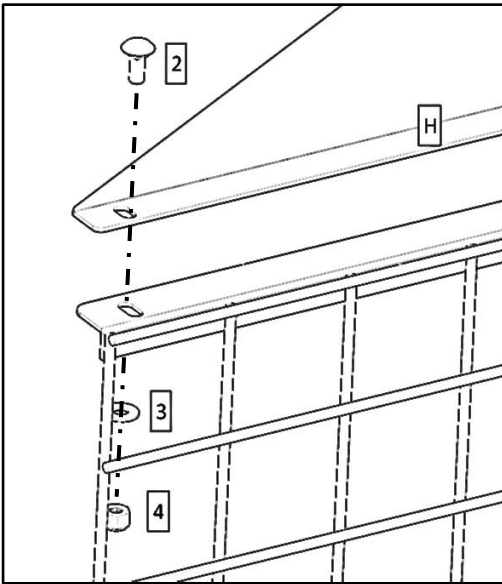
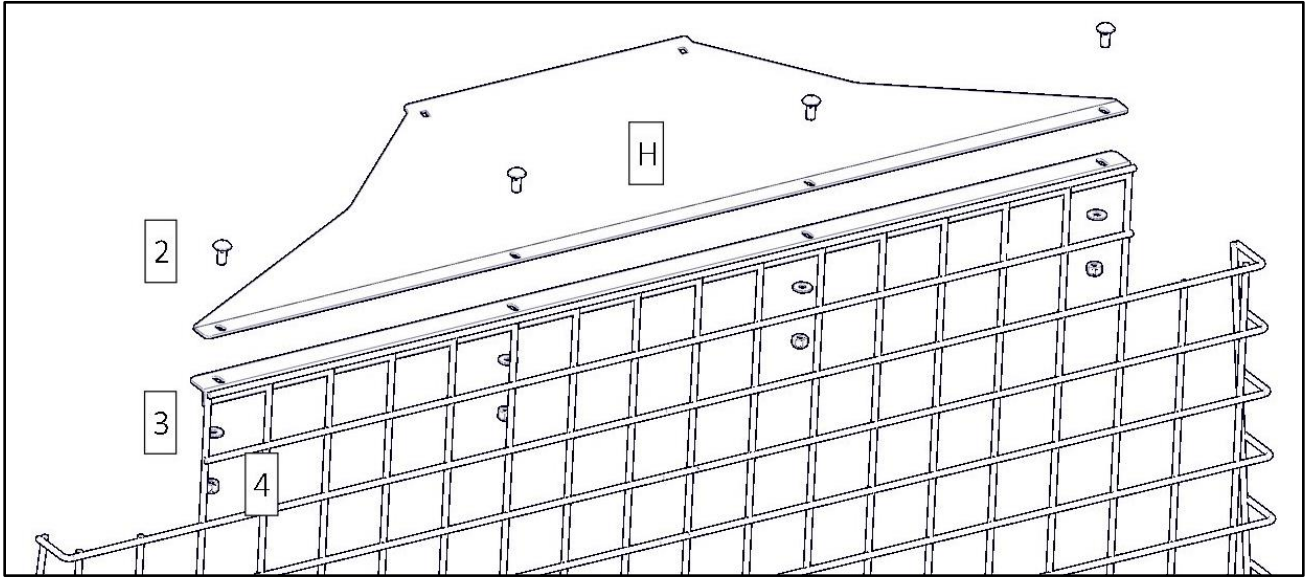


Tighten ALL hardware.

Your installation is now complete.

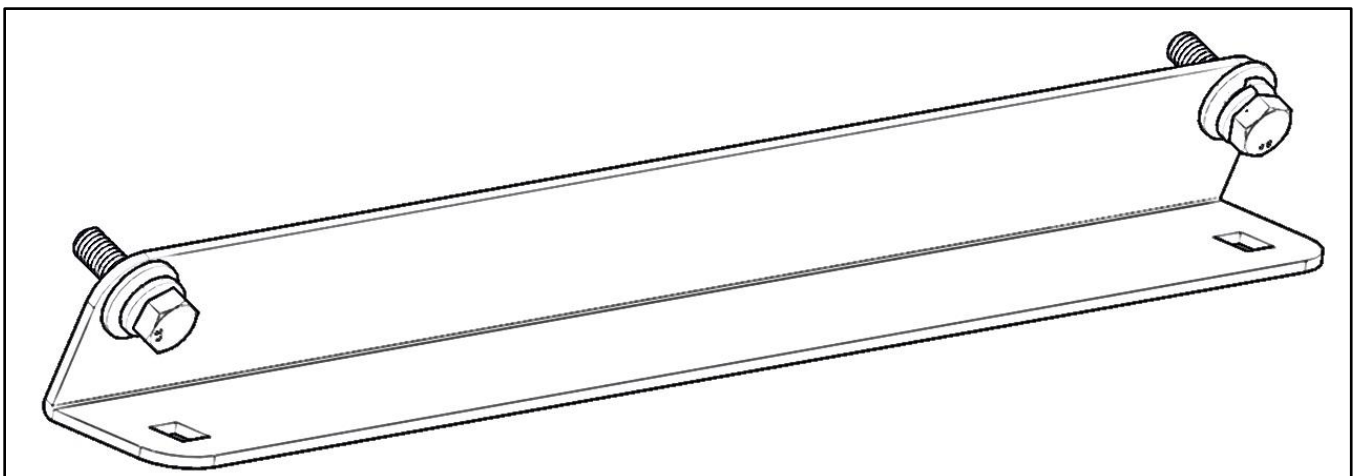
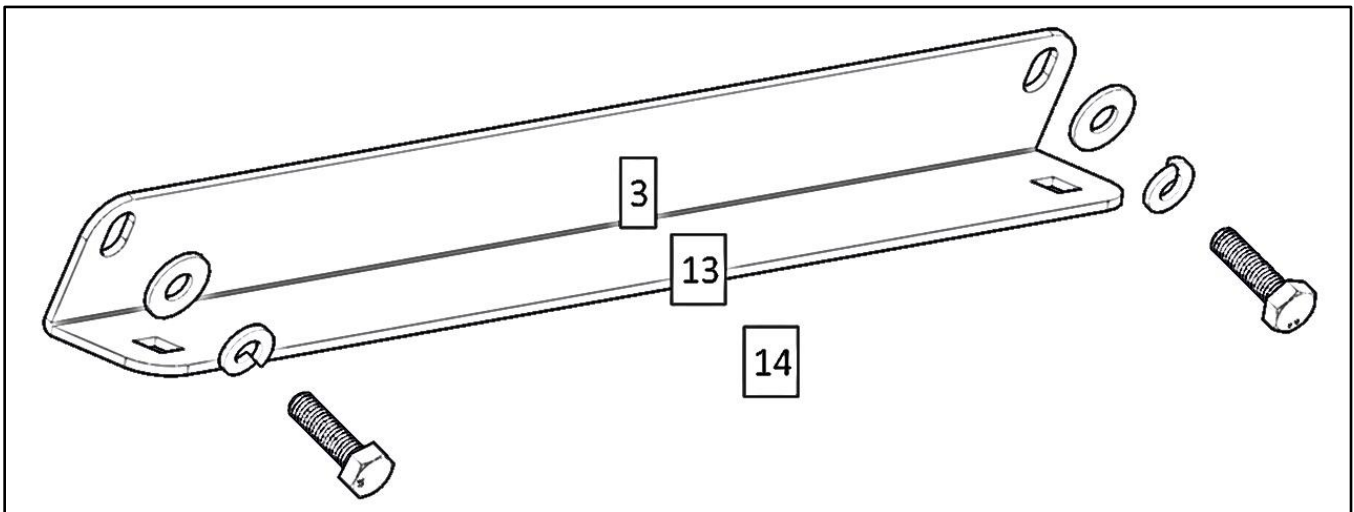
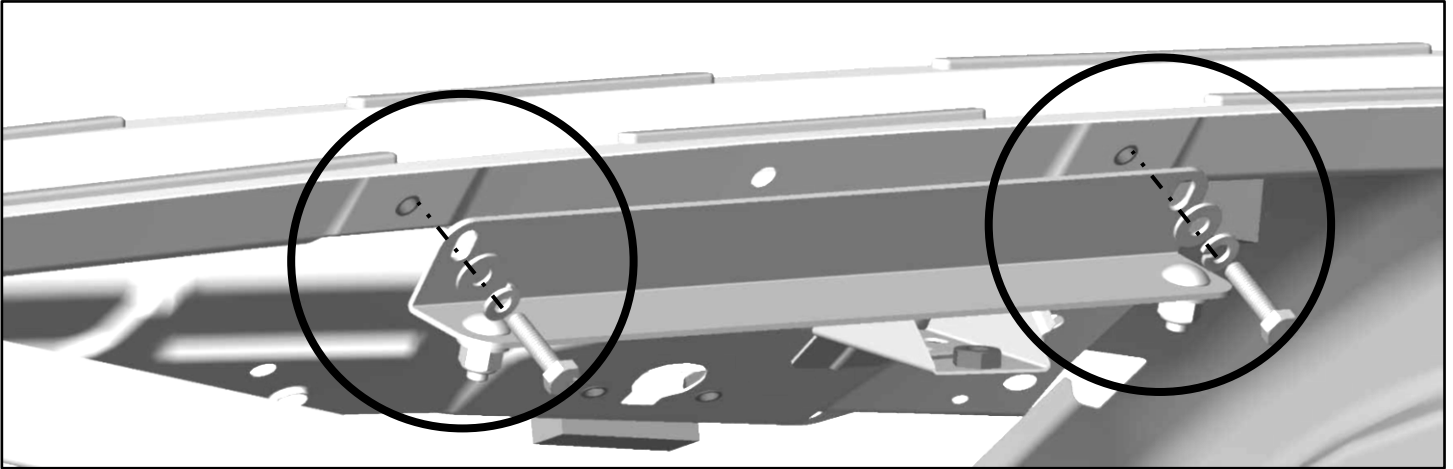
Step 2PMC – ProMaster City – Attaching Upper Mount to Partition

- Using four 1/4" x 5/8" carriage bolts, 1/4" flat washers, and a 1/4" lock nuts, bolt ram top mount (H) to the partition in the orientation shown
- Snug tighten, but allow movement.



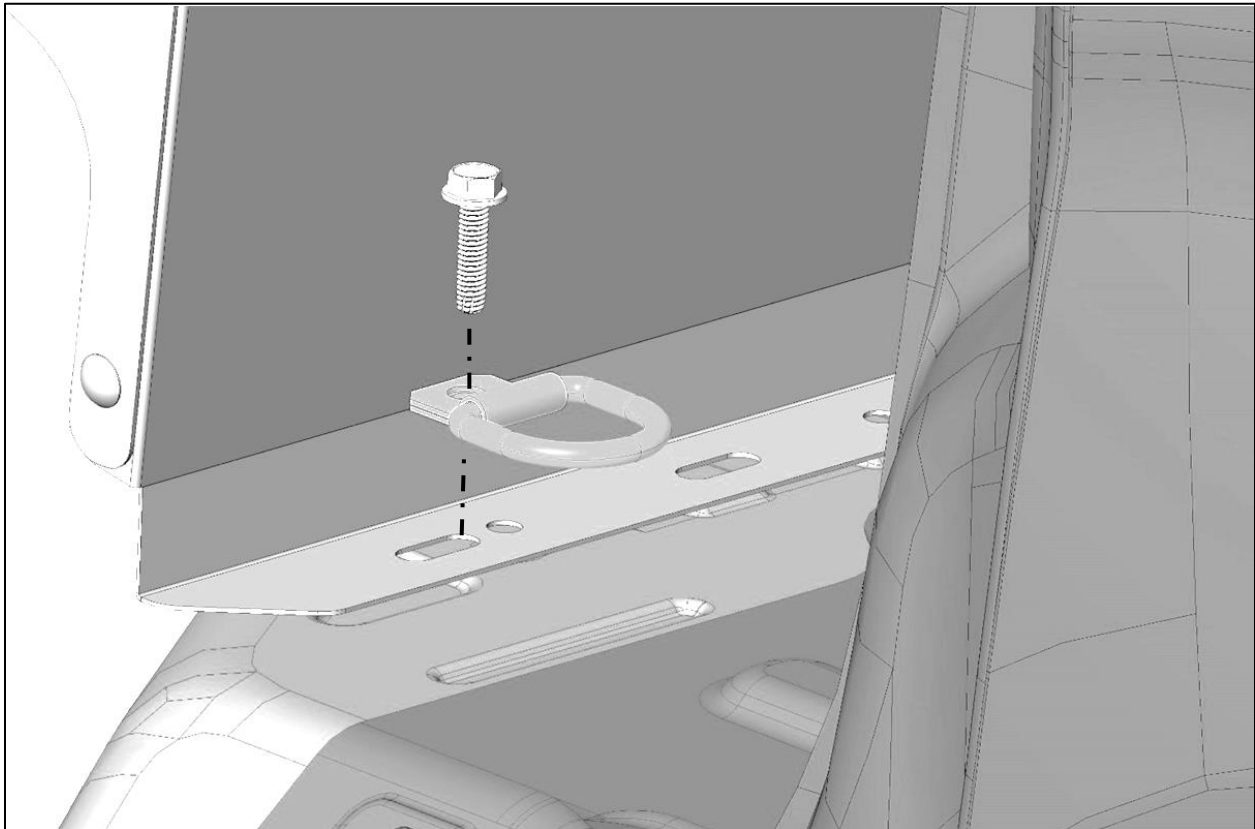
Step 3PMC – ProMaster City – Upper Mount to Van

- Using two M6 x 25MM bolts, two 1/4" lock washers, and two 1/4" flat washer, attach top pillar mount to threaded embosses in the cross support, near the roof of van, as shown. The roof is cut away for clarity.
- Snug tighten, but allow movement.



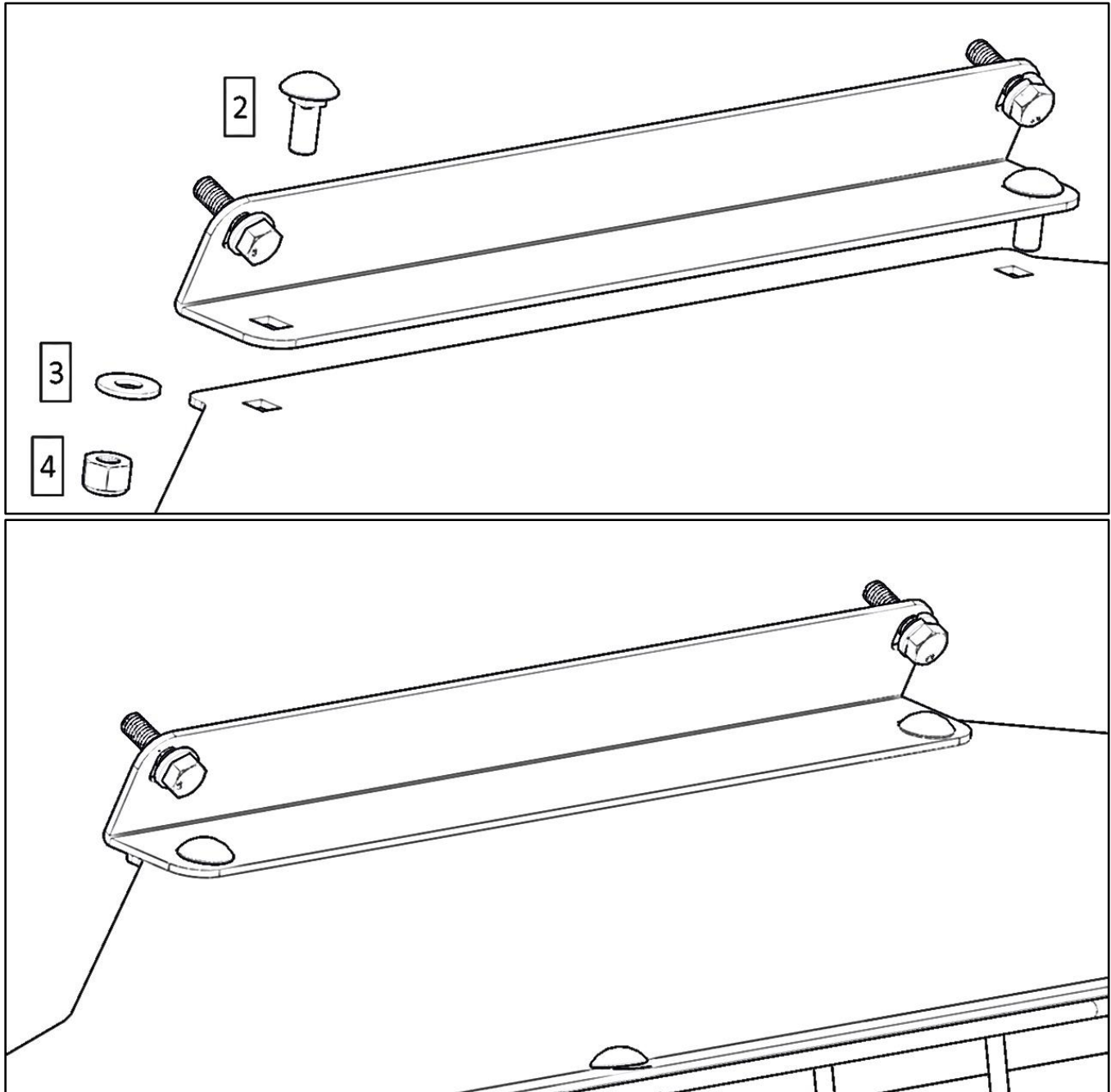
Step 4PMC – ProMaster City – Install Lower Mount to Van Floor

- Remove factory D-rings from floor inside of sliding side door.
- Place partition into van and align the bottom plate to the previously removed D-Ring.
- Bolt partition to floor using the previously removed D-ring.
- Snug tighten, but allow movement.



Step 5PMC – ProMaster City – Upper Mount to Partition

- At the top, using two 1/4" x 3/4" carriage bolts, two 1/4" flat washers, and two 1/4" lock nuts, bolt partition to previously installed top pillar mount, in the order shown.
- Tighten.



Tighten ALL hardware.
Your installation is now complete.