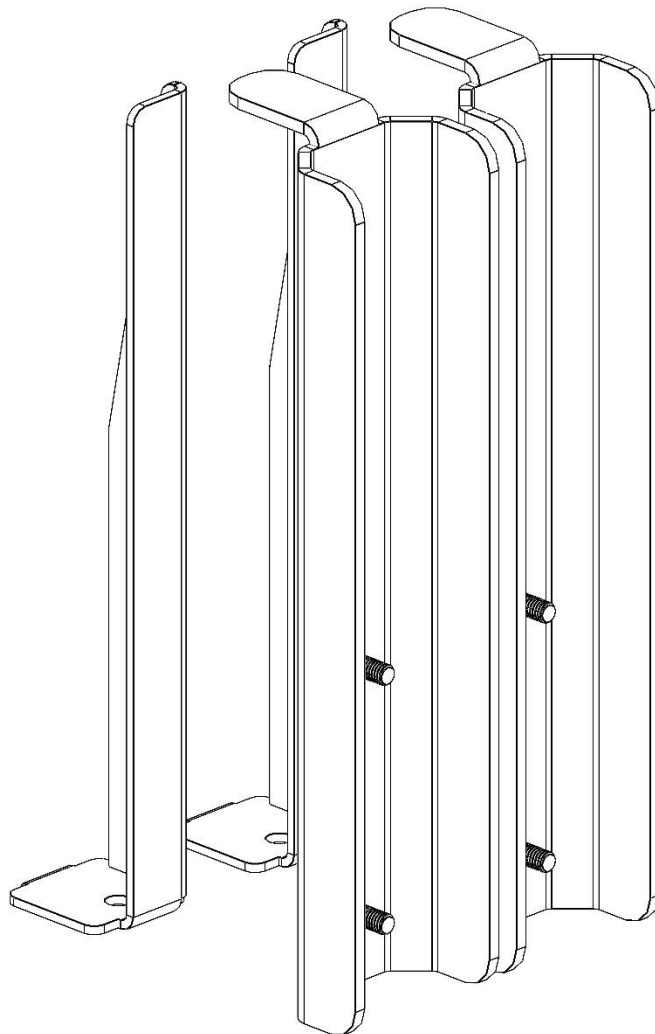


Holman

Installation Guide 40814



Holman
Rancho Cordova, CA 95742
800-343-7486
InstallationSupport@Holman.com

PLEASE READ ALL INSTRUCTIONS AND WARNINGS PRIOR TO ASSEMBLING, INSTALLING, AND USING THIS PRODUCT.

Warning



DO NOT EXCEED MANUFACTURERS WEIGHT CAPACITY FOR ROOF.



Secure all payloads properly for safe transportation.

Table of Contents

Tools Needed	1
Before You Begin	1
Parts List.....	2
Step 1 – Remove Existing Ladder Hooks and Ladder Stops	2
Step 2 – Install Extended Ladder Stops	3
Step 3 – Install Extended Ladder Hooks	3

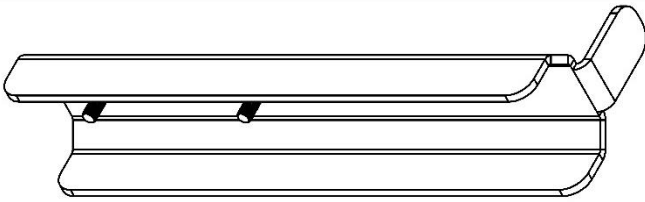
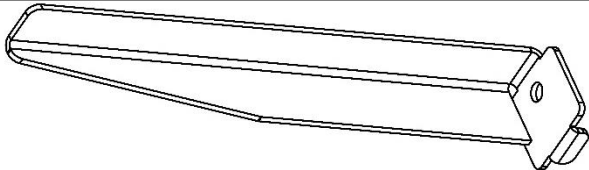
Tools Needed

7/16", 9/16" Socket and Wrench	
--------------------------------	--

Before You Begin

- Read all instructions prior to assembling or installing any Holman product.
- **Always locate your installation locations prior to performing any work.**
- **Extended ladder hooks must be installed on the inner mounting location to avoid issues with drop down actuation.**

Parts List

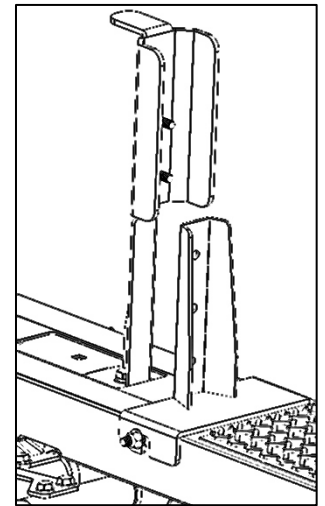
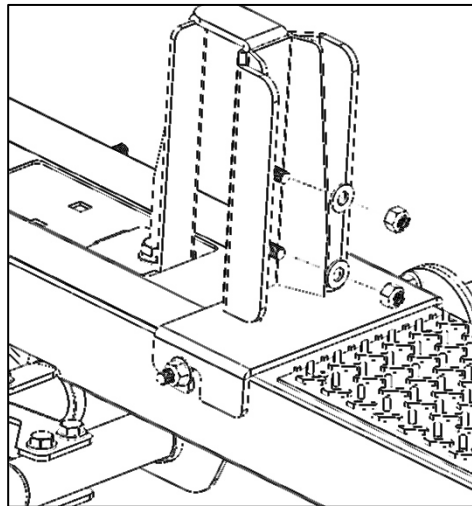
NO.	ITEM	PART NUMBER	DESCRIPTION	QTY.
1		KM0021	SADDLE ASSY- LADDER HOOK	2
2		100926	LADDER STOP	2

DO NOT EXCEED MANUFACTURERS WEIGHT CAPACITY FOR ROOF.

Step 1 – Remove Existing Ladder Hooks and Ladder Stops

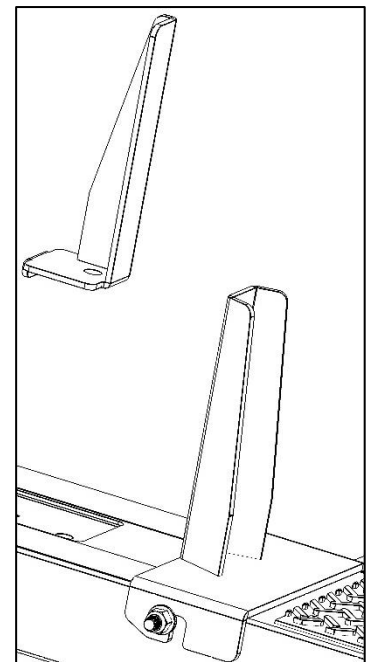
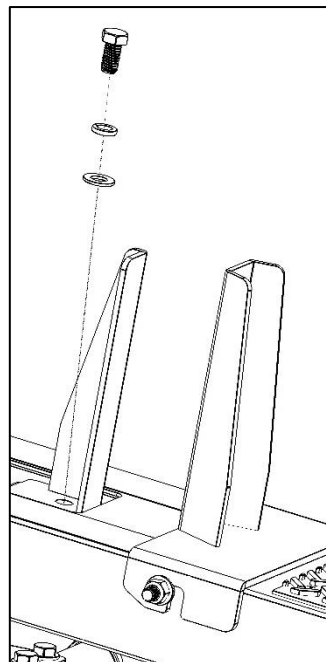
NOTE: If you have not installed the ladder hooks yet this step can be skipped.

- Remove the two 1/4" lock nuts and 1/4" washers and remove the ladder hook.



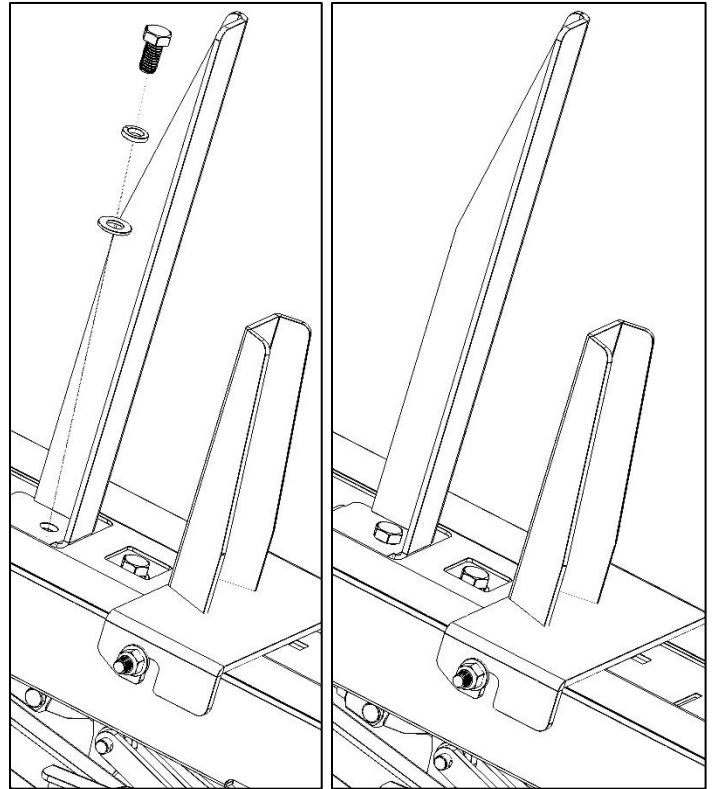
- Remove the 3/8" x 1" hex head bolt, two 3/8" washers, and the 3/8" lock nut and remove the ladder hook.

NOTE: depending on the rack this hardware may differ.



Step 2 – Install Extended Ladder Stops

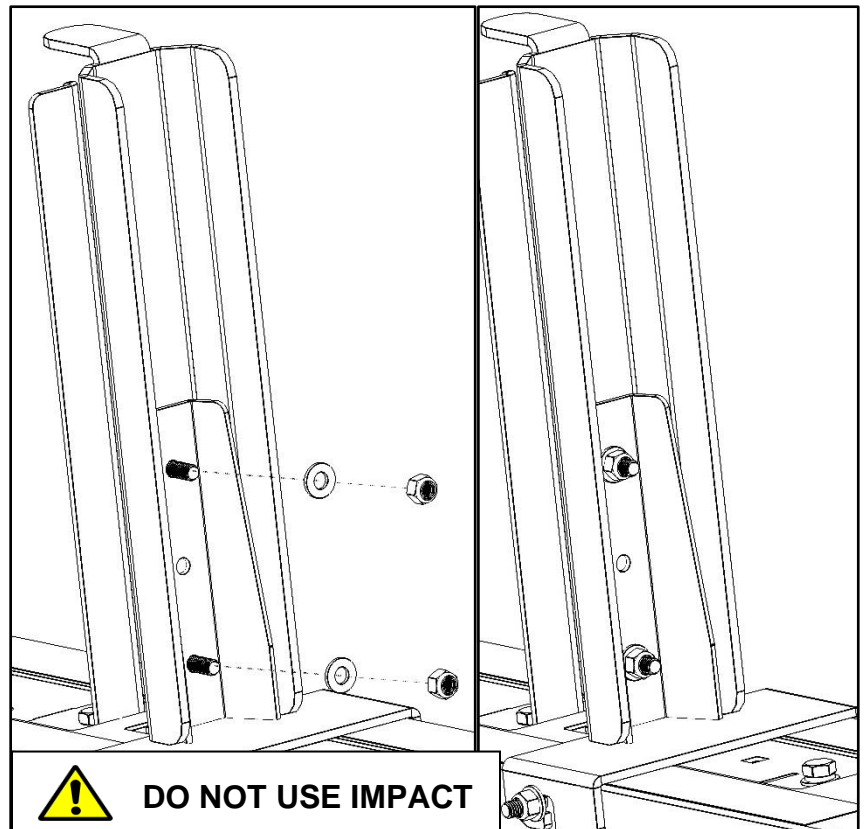
- Using the ladder stop hardware removed in step 1, bolt ladder hook to the cross bar.

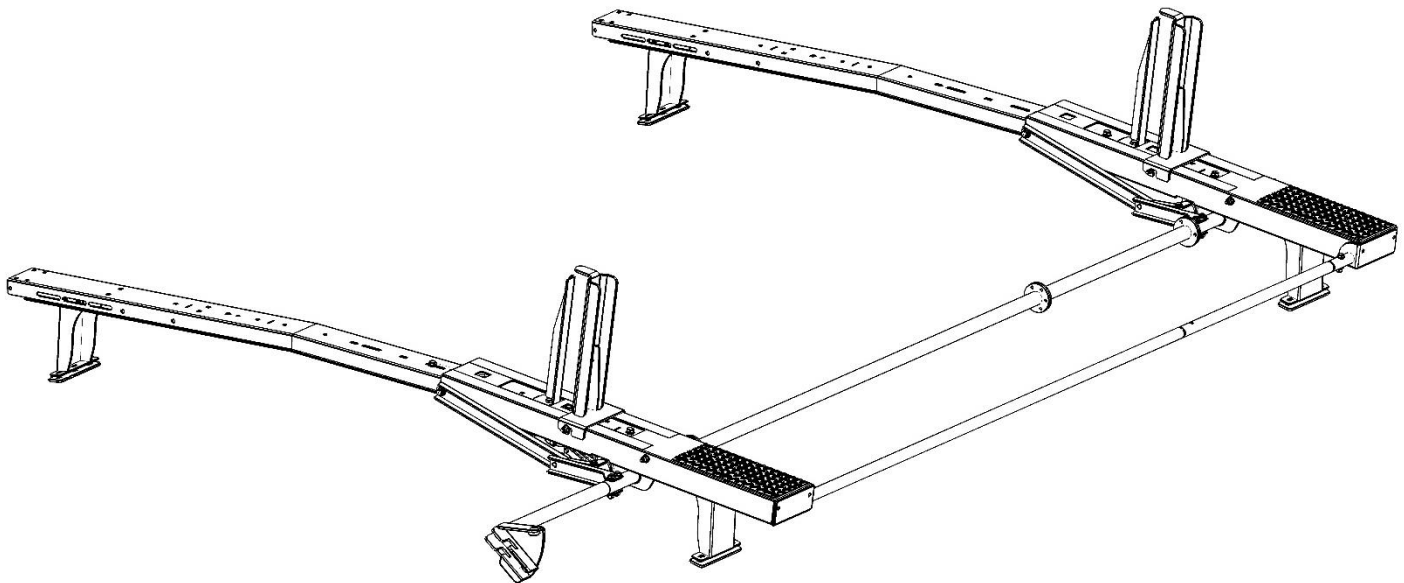
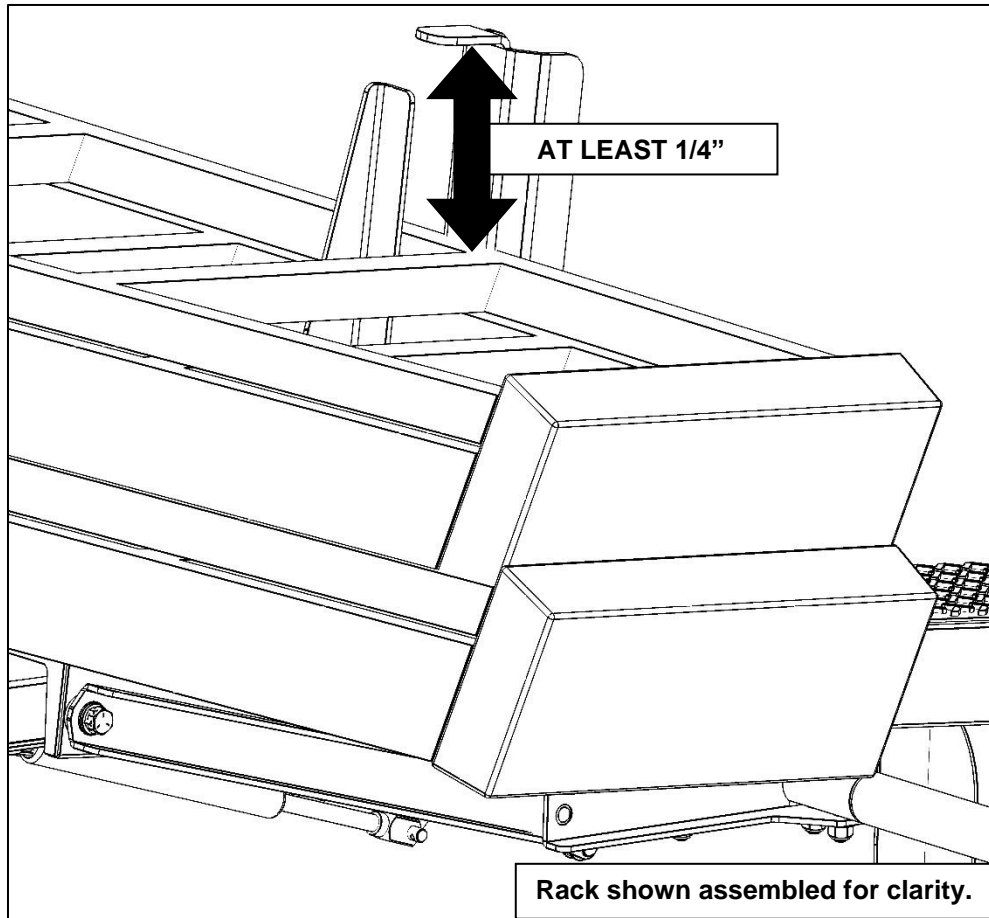


Step 3 – Install Extended Ladder Hooks

NOTE: Roof height clearance is reduced when extended ladder hook is installed. Please verify and be aware of the total height of the vehicle with rack installed.

- Be sure the height of the hook is **AT LEAST 1/4" GREATER THAN** the thickness of your ladders.
- Using the 1/4" lock nuts and 1/4" flat washers removed in step 1, bolt ladder hook assembly to ladder hook weldment.
- Tighten.





GO BACK AND TIGHTEN ALL HARDWARE.

INSTALLATION IS COMPLETE.