

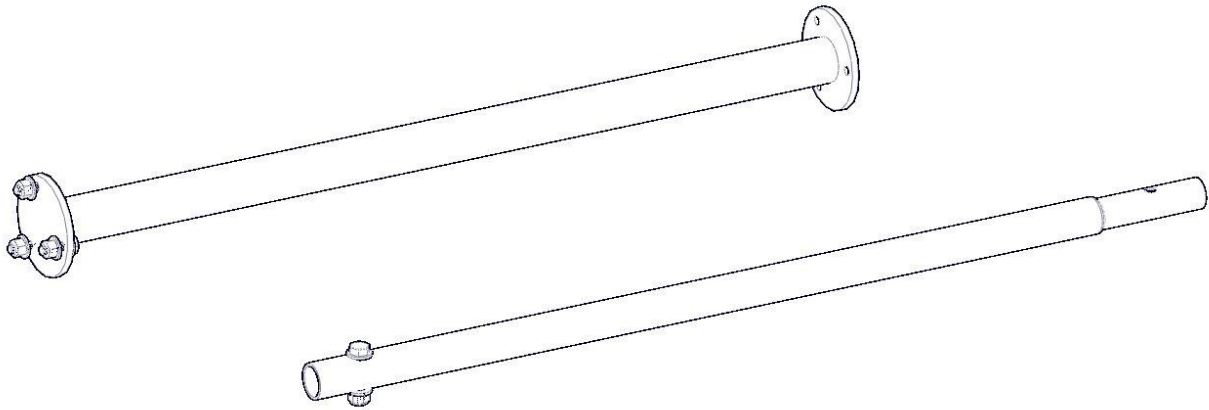
# Holman

---

## Installation Guide

40817

---



---

Holman  
Rancho Cordova, CA 95742  
800-343-7486  
InstallationSupport@Holman.com

---

---

**PLEASE READ ALL INSTRUCTIONS AND WARNINGS PRIOR TO ASSEMBLING, INSTALLING, AND USING THIS PRODUCT.**

---

**Warning**



Always check for wires, fuel tanks and lines, brake lines and other important vehicle functionality items prior to drilling and installing all products.

---

**Tools Needed**

7/16" Socket and Wrench	1/2" Socket and Wrench
-------------------------	------------------------

---

**Table of Contents**

Parts List ..... 2

Hardware List ..... 2

Step 1 – Separate Bows ..... 3

Step 2 – Install Extenders ..... 4

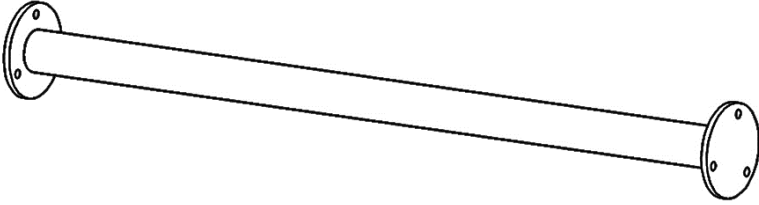

Step 3 – Attach Bows ..... 5

---

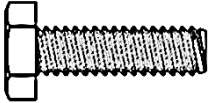
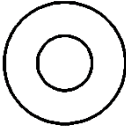

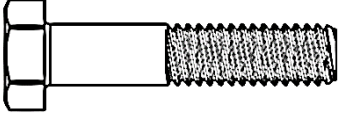
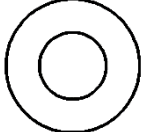

**Before You Begin**

- Read all instructions.
- **Do not exceed manufacturers weight capacity for roof.**

## Parts

ITEM NO.		PART NUMBER	DESCRIPTION	QTY.
A		40993-25	Torque Tube Extension Assembly	1
B		40900-30-014	Support Tube Extension	1
		18-40817	Drop Down Extension Hardware	1

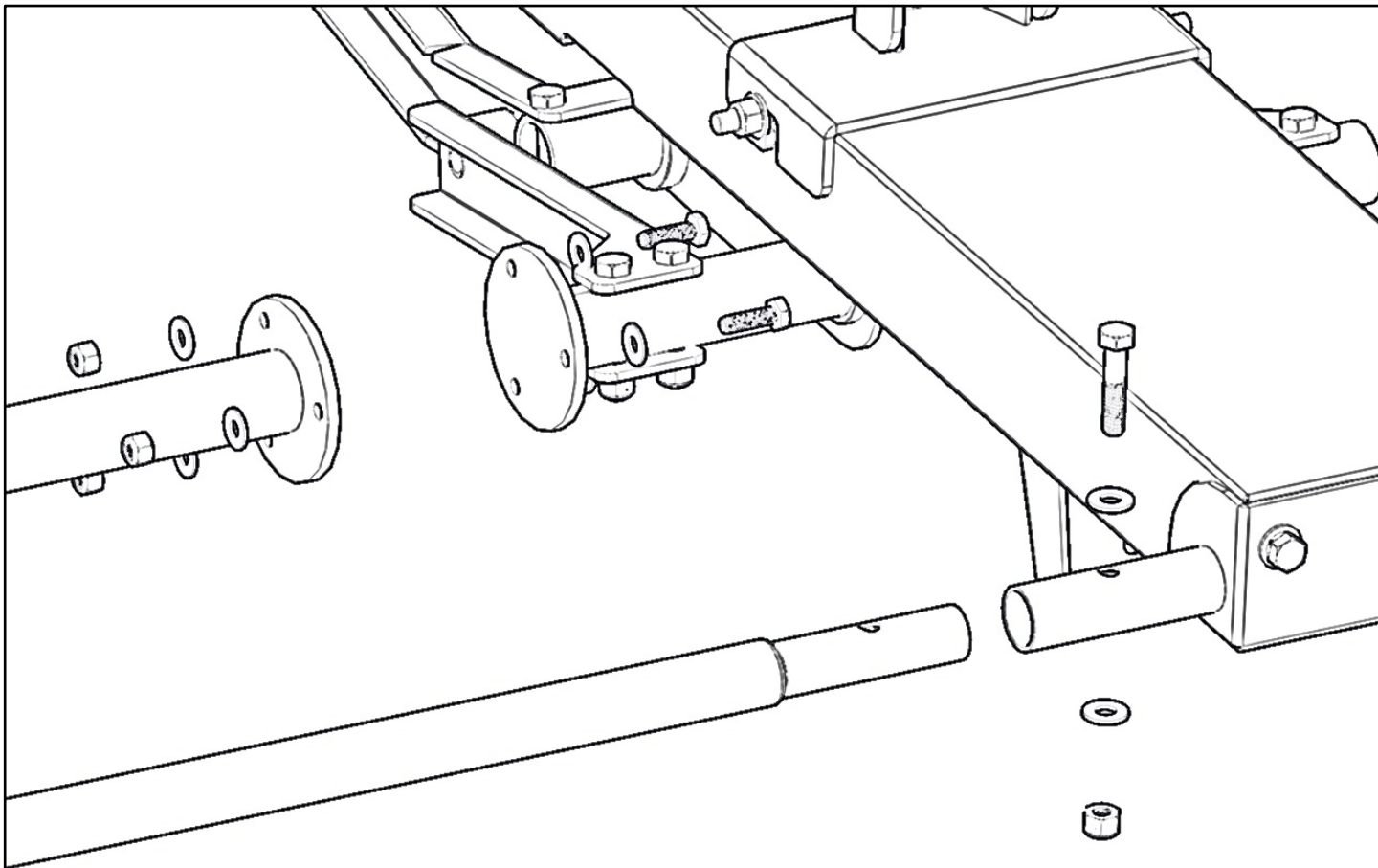
## Hardware

ITEM NO.	TO SCALE	DESCRIPTION	PART NUMBER	QTY.
1		.25-20 x .875 Hex Bolt	92865A541	3
2		.25 Flat Washer	90126A029	6
3		.25-20 Nyloc	97135A210	3
4		.312-18 x 1.5 HH	91247A587	1
5		.312 Flat Washer	90126A030	2
6		.312-18 Nyloc	95615A160	1

## **Step 1 – Seperate Bows**

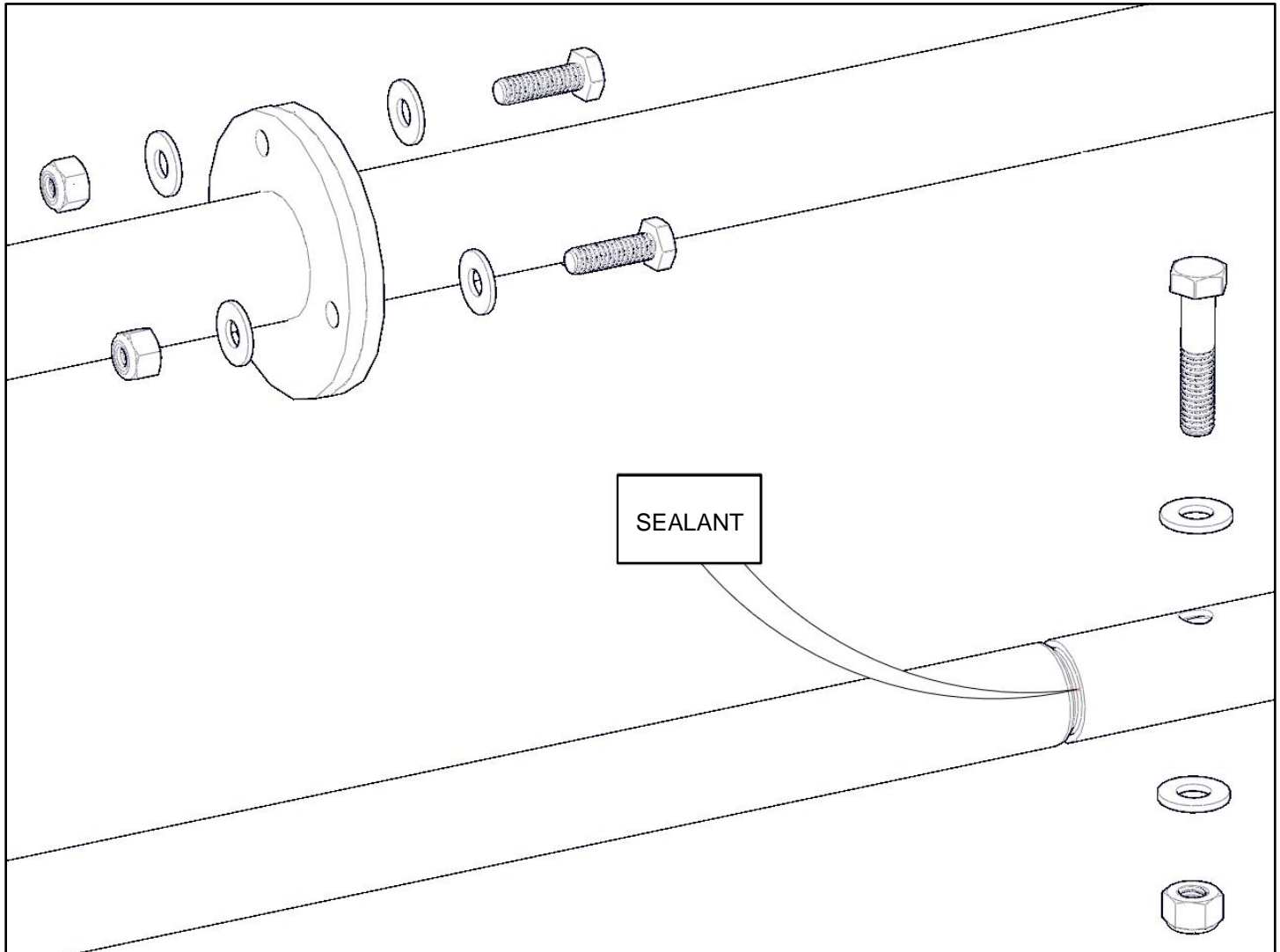
**Note: If assembling ladder rack for the first time, skip this step.**

- If ladder rack is already assembled, removed the 1/4" hardware from the torque tube and the 5/16" hardware from the support tube to separate the two bows.



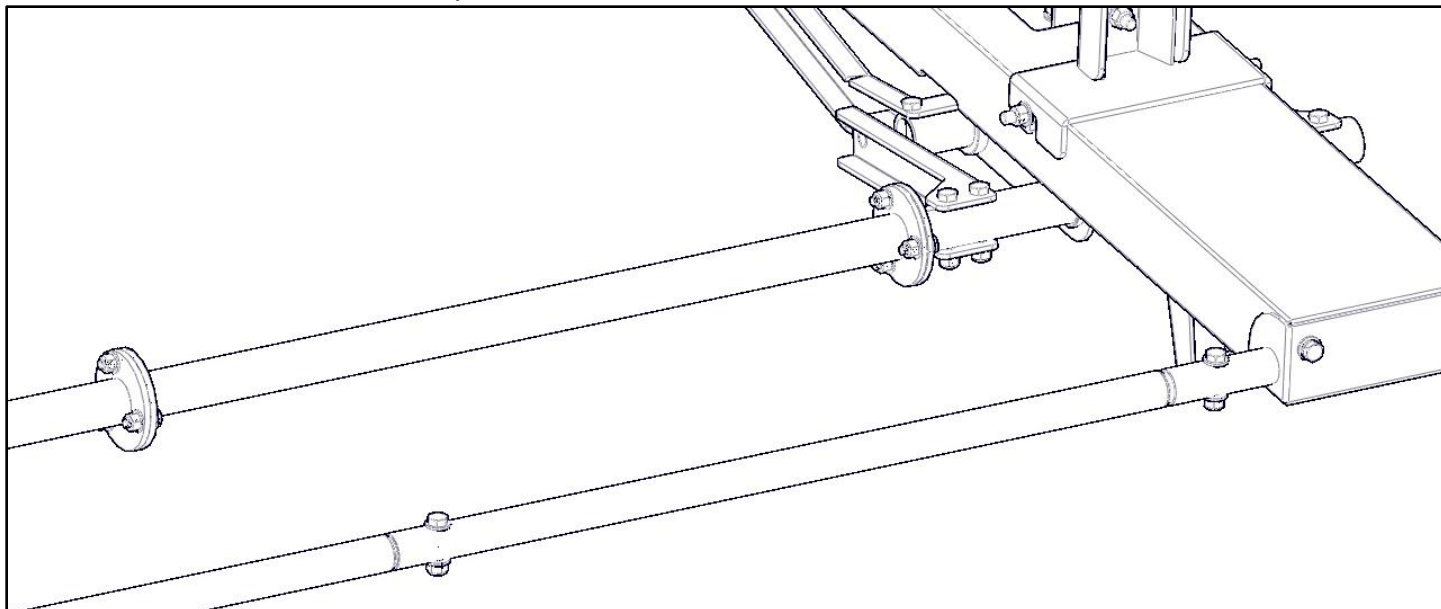
## Step 2 – Install Extenders

- Separate the bows to about 92" from center to center.
- Insert the torque tube extension assembly where the three holes line up. Bolt together using 1/4" hardware from this 40817 kit and original hardware from ladder rack.
- Insert the support tube extension and bolt together using 5/16" hardware. **Be sure to put sealant in the swedge connection.**



## Step 3 – Attach Bows

- Repeat Step 1 in opposite direction.
- Re-attach the extended torque tube and the extended tube extension to the other bow.



**GO BACK AND TIGHTEN ALL HARDWARE.**

**INSTALLATION IS COMPLETE.**

