



**WE PUT EVERYTHING WITHIN REACH.**

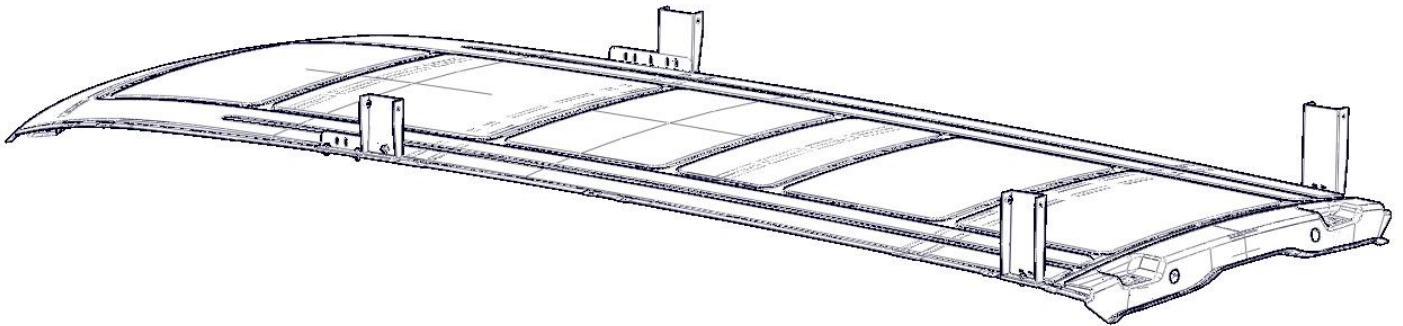
---

# Installation Guide

---

## 4081M

---



---

Kargo Master  
Rancho Cordova, CA 95742  
800-343-7486  
CustomerService@KargoMaster.com

---

DATE: \_\_\_\_\_

**\*PLEASE READ ALL INSTRUCTIONS AND WARNINGS PRIOR TO ASSEMBLING,  
INSTALLING, AND USING THIS PRODUCT\***

**Warning**



Always check for wires, fuel tanks and lines, brake lines, and other important vehicle functionality items prior to drilling and installing all products.

**Tools Needed**

9/16" Socket and Wrench	1/2" Socket and Wrench
10mm Socket and Wrench	

**Table of Contents**

Parts List ..... 2

Hardware List ..... 3

Step 1 – Rear Foot Mount..... 4

Step 2 – Front Foot Mount ..... 5

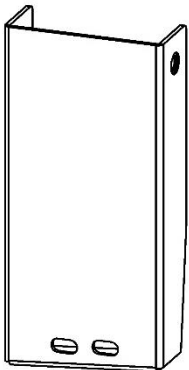
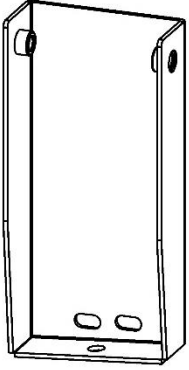
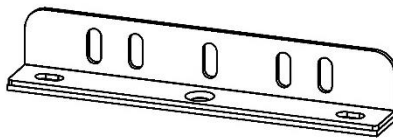
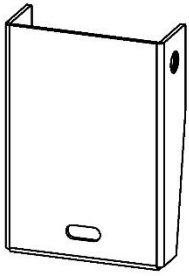
Step 3 – Front Foot ..... 5

Step 4 – Installing Bows ..... 6

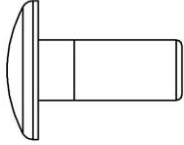
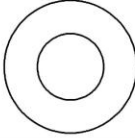

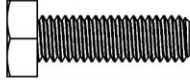

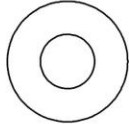
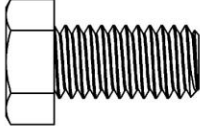
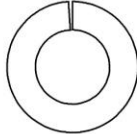
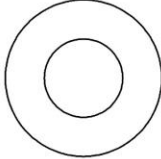
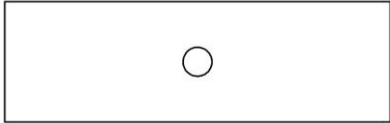
**Before You Begin**

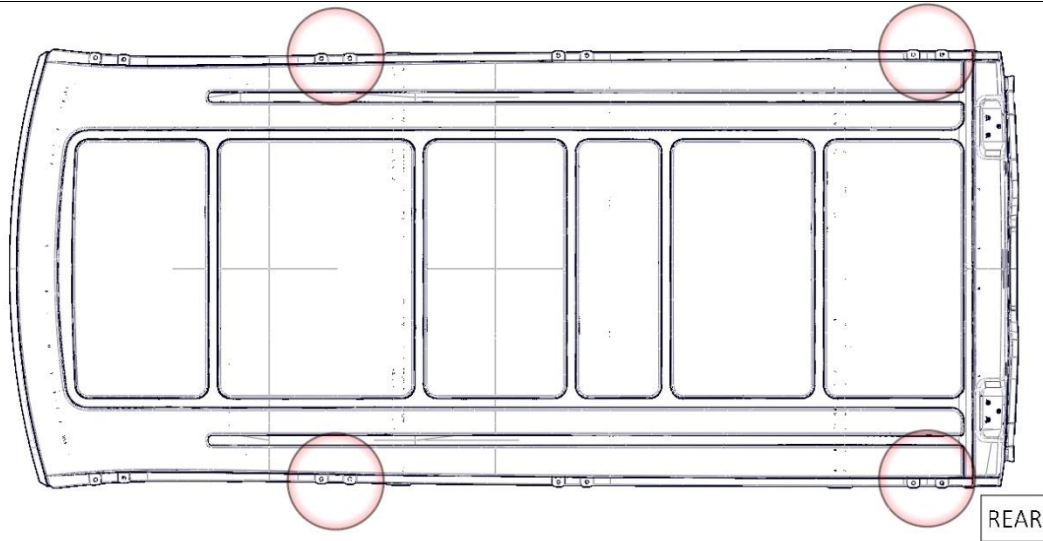
- Read all instructions.

## Parts

ITEM NO.		PART NUMBER	DESCRIPTION	QTY.
A		4090M-10-R1	Large Foot Assembly	1
B		Mirror-4090M-10-R1	Mirror_Large Foot Assembly	1
C		40903-10	Small Angle Brk	2
D		13-03105	Small Foot Assembly	2
		18-4081M	Hardware Kit - Metris Mount	1

## Hardware

ITEM NO.	TO SCALE	PART NUMBER	DESCRIPTION	QTY.
1		.312x.75 carriage	5/16-18x3/4 Carriage Bolt	4
2		.312 Flat Washer	5/16 Flat Washer	4
3		.312-18 Nyloc Nut	5/16-18 Nyloc	4
4		M6x20 Hex Bolt		6
5		M6 Lock Washer		6
6		M6 Flat Washer		6
7		92620A622	.375-16 x .75 HH	8
8		91104A031	3/8" Lock washer	8
9		98023A031	3/8" Flat Washer	8
10		40973AT-10-003	Front Rail Pad SCALE 1:2	2

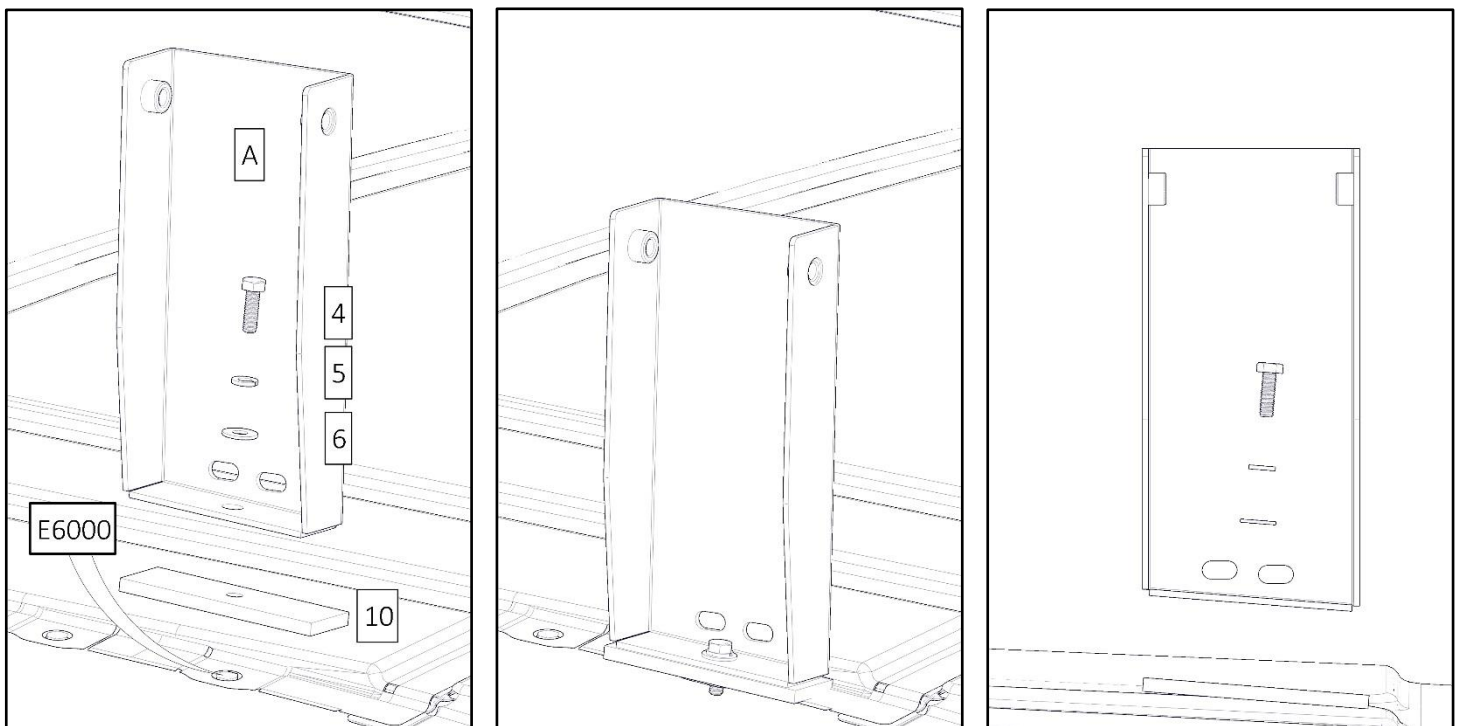


### Step 1 – Rear Foot Mount

- In the rear of the van, locate the two rear most mounting locations.
- Remove plastic to expose threads in the roof.
- Place the correct large foot assembly (A or B) on top of the rubber pad (10). The drivers side is shown below. The slope on the large foot assembly will be towards the rear of the van.
- The opening in the large foot assembly will open to the outside of the van.
- Mount to exposed threads using a M6 x 20mm hex bolt (4), a M6 lock washer (5) and a M6 flat washer (6).

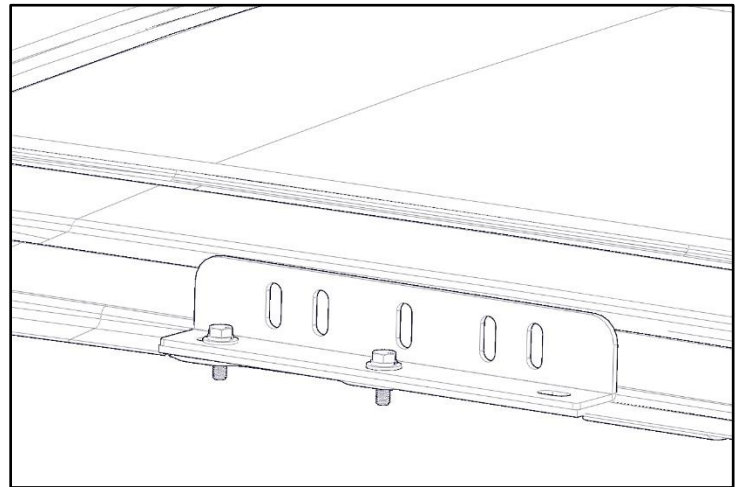
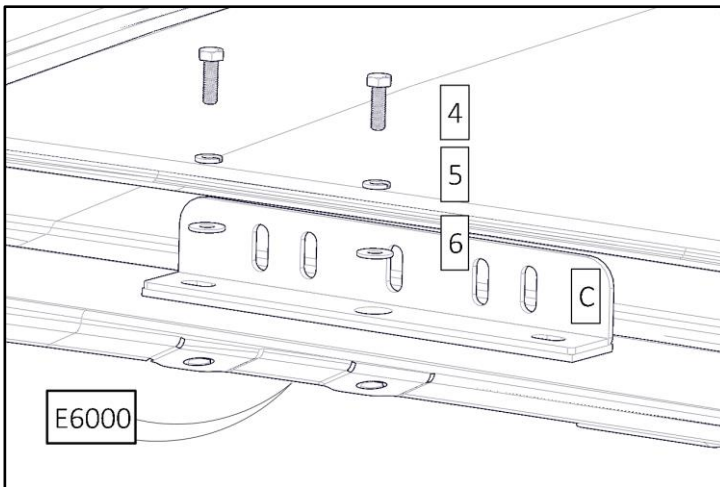
\*\*Be sure to put some E6000 in and around the threads to ensure the roof will not leak in wet applications\*\*

- Do NOT tighten at this point, Allow movement.



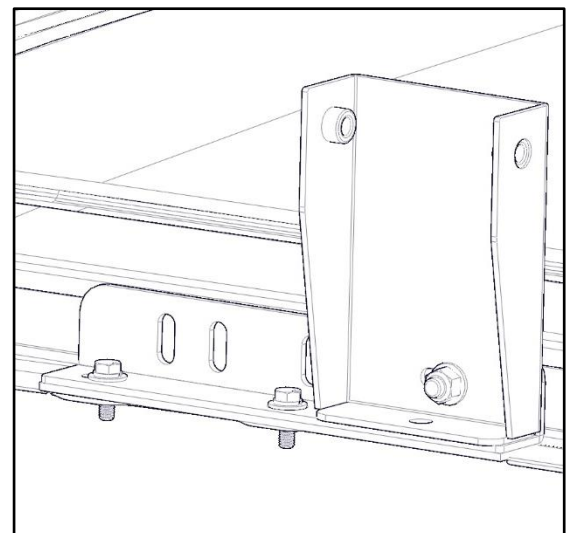
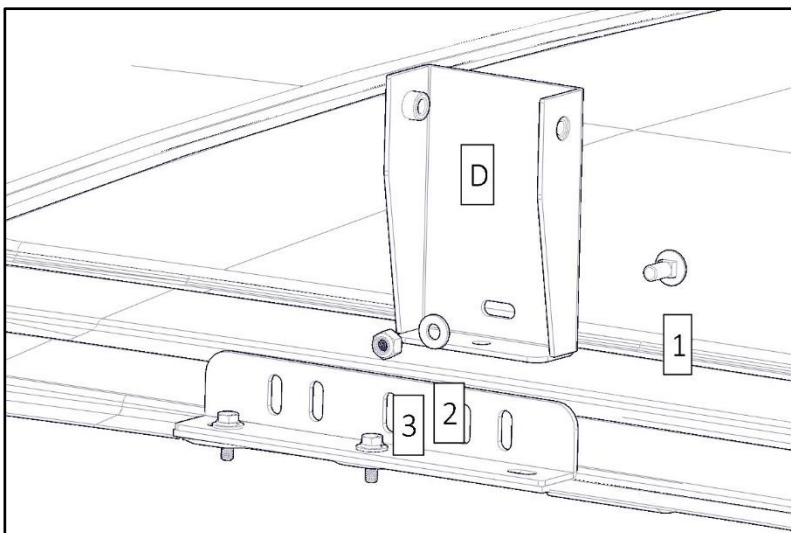
## Step 2 – Front Foot Mount

- Locate front mount locations as shown prior to Step 1.
  - Remove plastic to expose threads in the roof.
  - Place small angle bracket (C) as shown. Drivers side is shown in these pictures.
  - Offset the bracket to the rear.
  - Mount to exposed threads using a M6 x 20mm hex bolt (4), a M6 lock washer (5) and a M6 flat washer (6).
- \*\*Be sure to put some E6000 in and around the threads to ensure the roof will not leak in wet applications\*\***
- Do NOT tighten at this point, Allow movement.

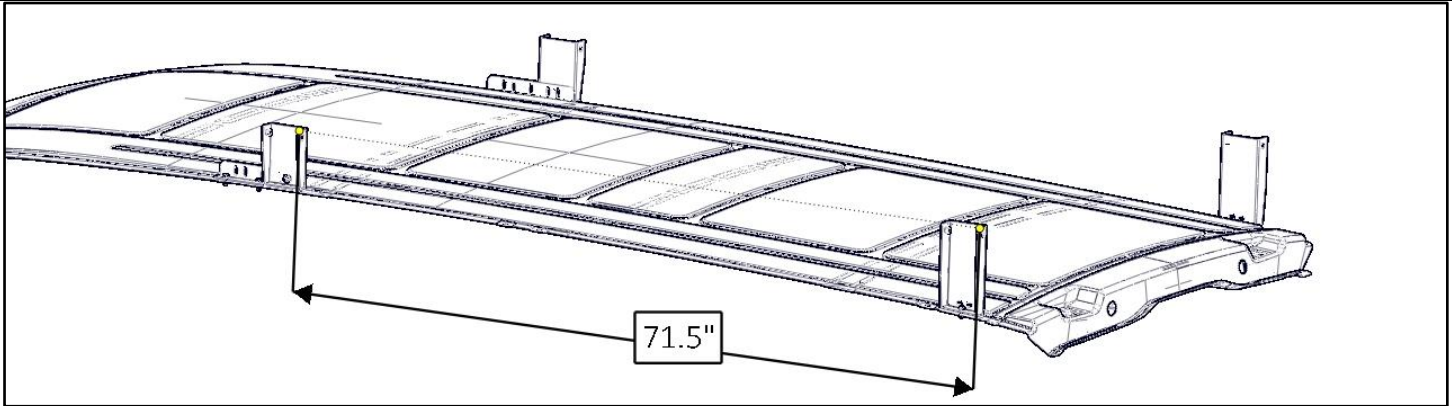


## Step 3 – Front Foot

- On previously mounted angle bracket (C), locate the far most rear slot.
- Mount small foot assembly (D) to angle bracket using a 5/16" carriage bolt (1), a 5/16" flat washer (2) and a 5/16" nyloc nut (3).
- The spread between the front foot installed in this step and the foot installed in Step 1 should be 71.5". Do NOT tighten at this point, Allow movement.

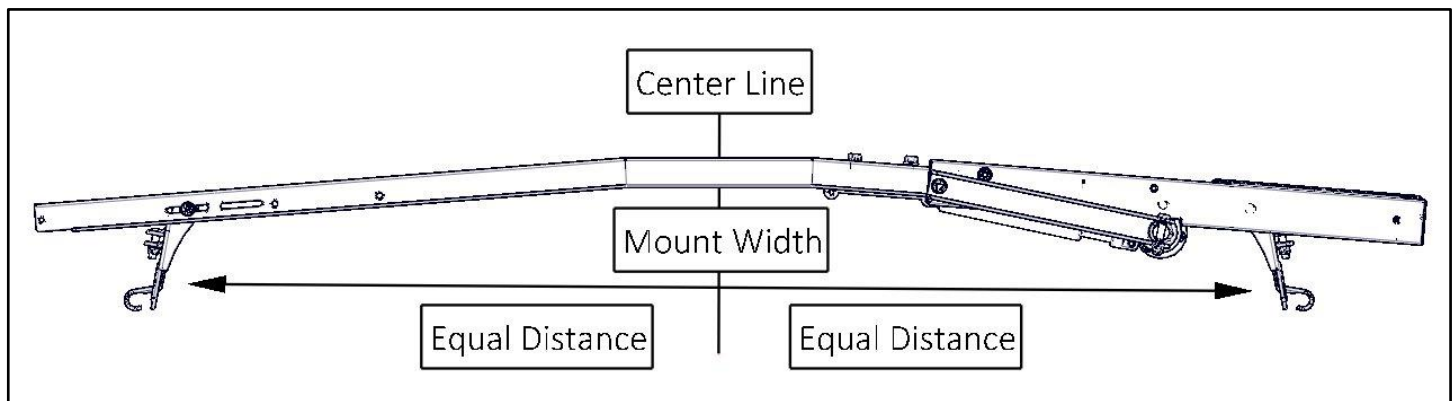
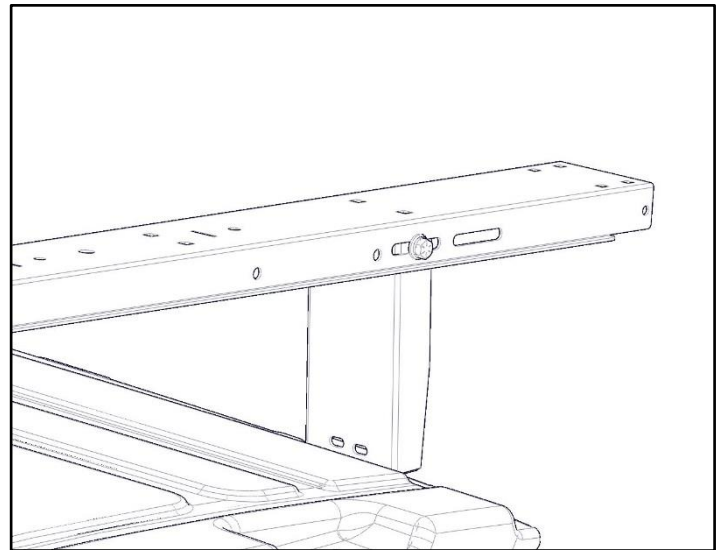
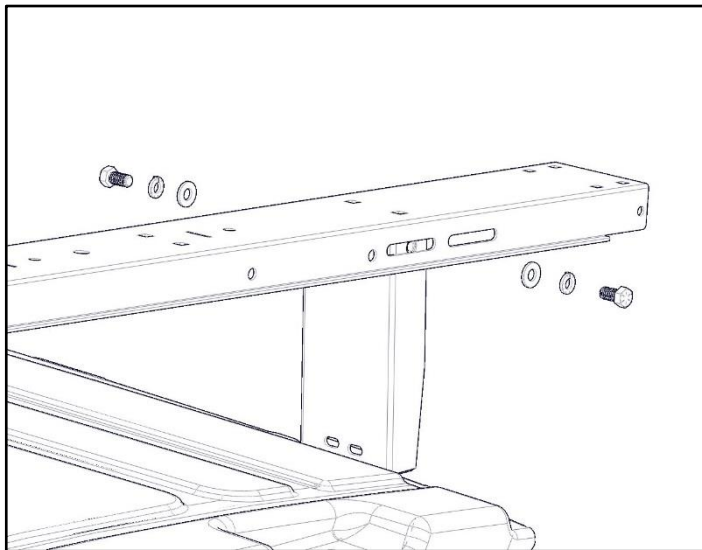






### Step 4 – Installing Ladder Bows

- Place correct ladder bow on the previously mounted front and rear feet. Be sure to have equal distance along the bow as shown below.
- Bolt in place using 3/8" x .75" hex head (7), a 3/8" lock washer (8) and a 3/8" flat washer (9).
- Follow ladder rack instructions from this point.



**ONCE LADDER RACK IS FULLY INSTALLED, BE SURE TO GO BACK AND ENSURE ALL HARDWARE IS TIGHT**