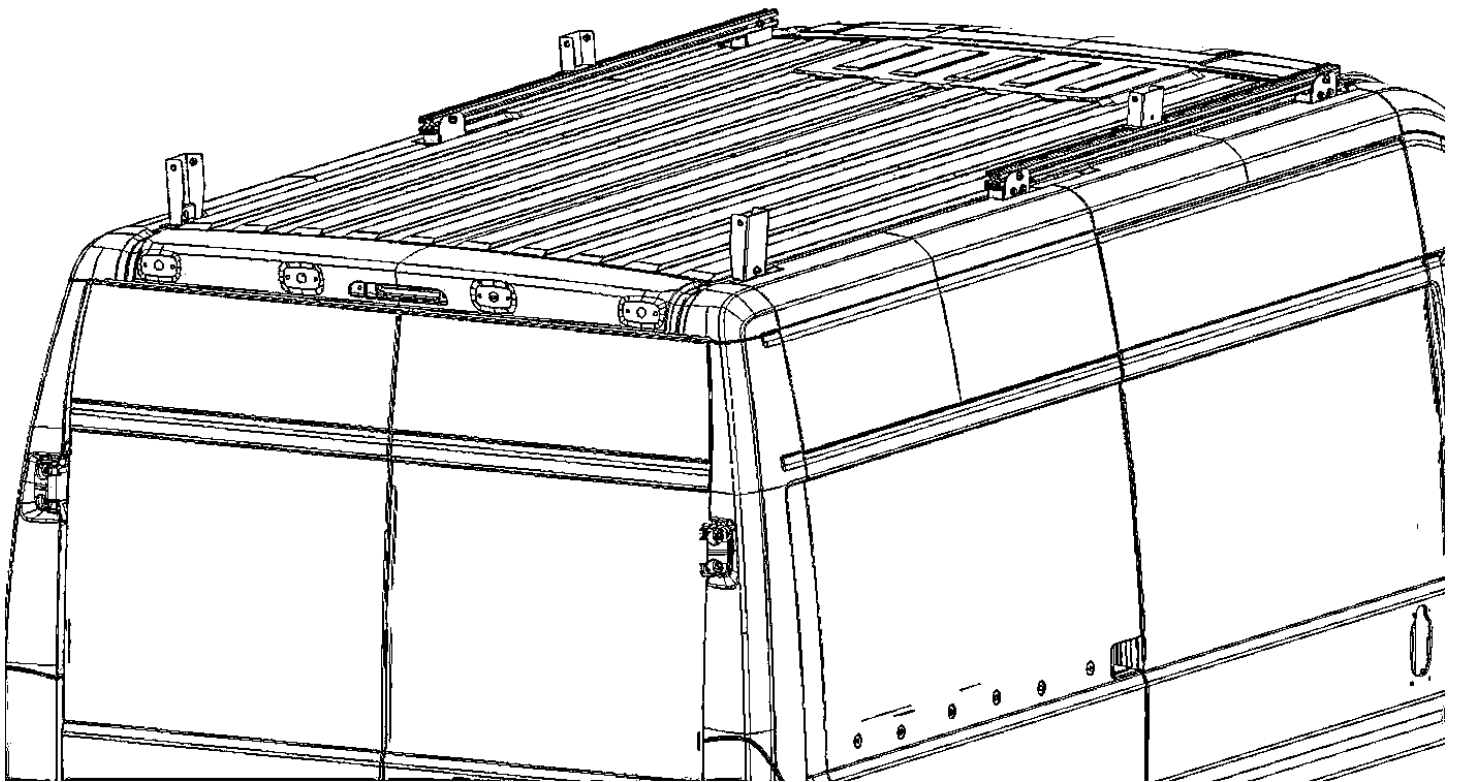


# Holman

---

## Instruction Guide 4081P

---



---

Holman  
Rancho Cordova, CA 95742  
800-343-7486

[InstallationSupport@Holman.com](mailto:InstallationSupport@Holman.com)

## PLEASE READ ALL INSTRUCTIONS AND WARNINGS PRIOR TO ASSEMBLING, INSTALLING, AND USING THIS PRODUCT.

### Warning



Always check for wires, fuel tanks and lines, brake lines and other important vehicle functionality items prior to drilling and installing all products.

### Tools Needed

1/2" Socket and Wrench	7/16" Socket and Wrench
9/16" Socket and Wrench	1/8" Allen Hex Wrench
Tape Measure	


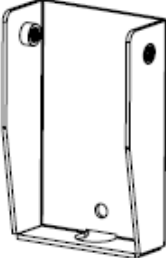
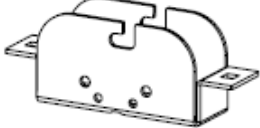


### Table of Contents

Warning .....	2
Tools Needed .....	2
Before You Begin.....	2
Parts .....	3
Hardware (18-4081P) .....	4
Step 1 – Prepare Mount Brackets.....	5
Step 2 – Find Front Mount Locations.....	6
Step 3 – Install Mount Brackets .....	6
Step 4 – Prepare Extrusion.....	7
Step 5 – Install Extrusion .....	7
Step 6 – Install Tall Feet.....	8
Step 7 – Install Short Feet .....	9
Step 8 – Set Short Feet Location.....	10
Step 9 – Mount Feet to Rack .....	11


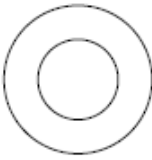
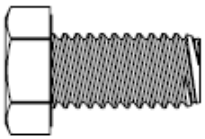
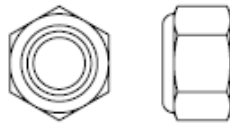
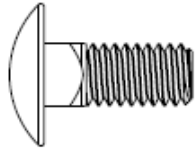
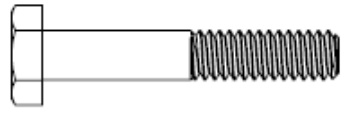

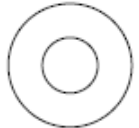


### Before You Begin

- Read all instructions.
- Follow assembly instructions found with the rack to assemble and install rack.
- **DO NOT EXCEED MANUFACTURERS WEIGHT CAPACITY FOR ROOF.**

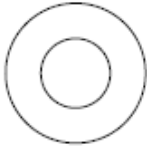
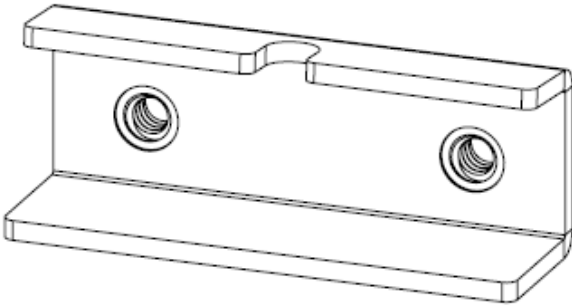
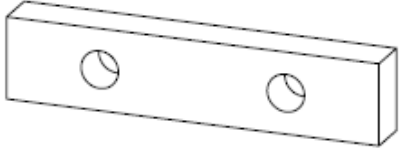
## Parts

NO.	ITEM	PART NUMBER	DESCRIPTION	QTY.
1		40818-20-001	62IN EXTRUSION	2
2		40818-25	TALL FOOT BRACKET	2
3		40818-20-003	RAISED FOOT BRACKET	4
4		40818-10	SHORT FOOT BRACKET	2
5		40818-20-007	REAR MOUNT BRACKET	2
6		18-4081P	PROMASTER BOLT KIT - 4081P	1

## Hardware (18-4081P)

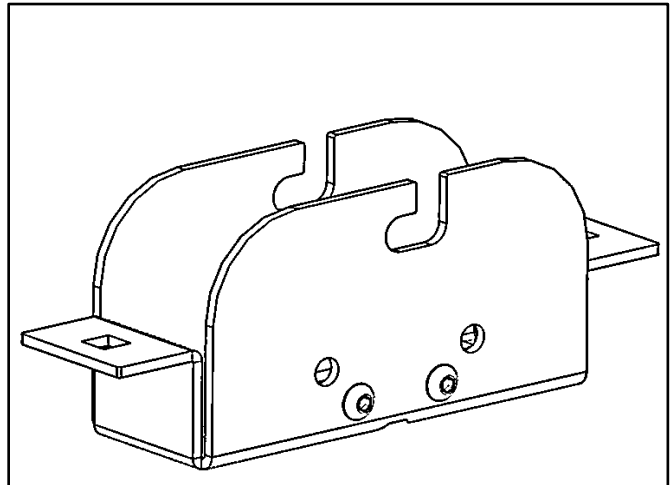
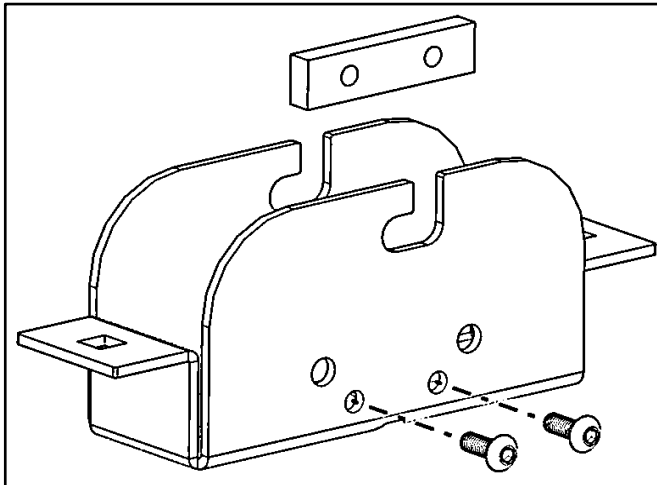
ITEM	HARDWARE TO SCALE	PART NUMBER	DESCRIPTION	QTY.
1		0123496	3/8" SPLIT LOCK WASHER	8
2		0159723	3/8" FLAT WASHER	8
3		11241196	3/8-16 X 3/4" HEX HEAD BOLT	8
4		0169777	5/16"-18 NYLOC	14
5		21810	5/16"-18 X 3/4" CARRIAGE BOLT	12
6		11241168	1/4"-20 X 1-1/2" HEX HEAD BOLT	8
7		33618	1/4" LOCK WASHER	8
8		33078	1/4" FLAT WASHER	8
9		0138469	10-32 X 1/2" BUTTON HEAD CAP SCREW	8
10		21818	5/16-18 x 1-1/4" CARRIAGE BOLT	2

## Hardware (18-4081P continued)

ITEM	HARDWARE TO SCALE	PART NUMBER	DESCRIPTION	QTY.
11		33006	5/16" FLAT WASHER	14
12		40818-23	MOUNT CLIP	4
13		40818-20-006	SPACER BLOCK	4

### Step 1 – Prepare Mount Brackets

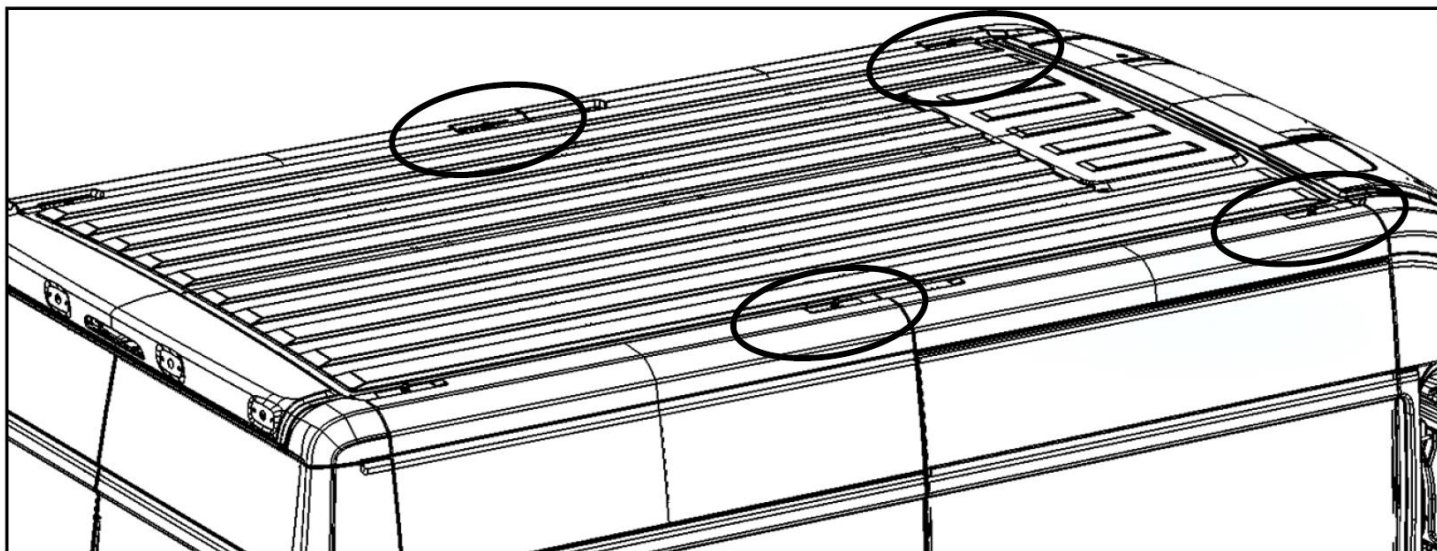
- Attach threaded block inside extrusion foot bracket using #10 x 1/2" button head cap screws as shown.
- Repeat for all four extrusion foot brackets.
- Tighten.



## Step 2 – Find Front Mount Locations

- Locate the forward two mounting locations on each side of van. This is where the mounting blocks will be mounted.

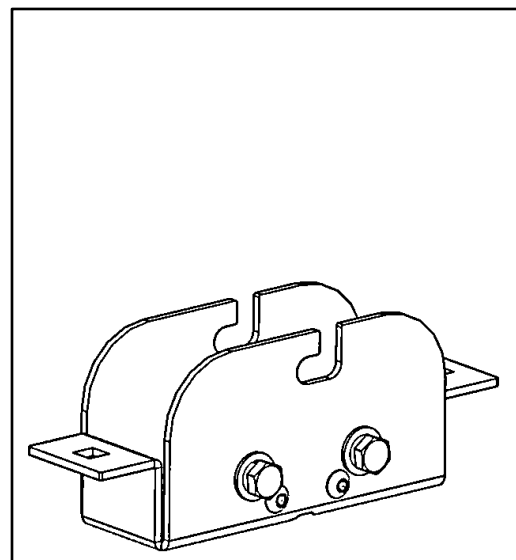
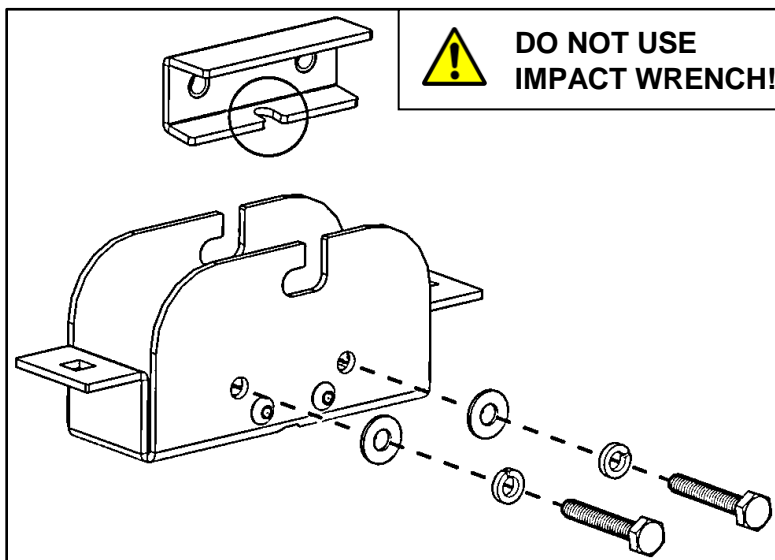
**Note:** This picture shows on a 136" wheel base, high roof van.

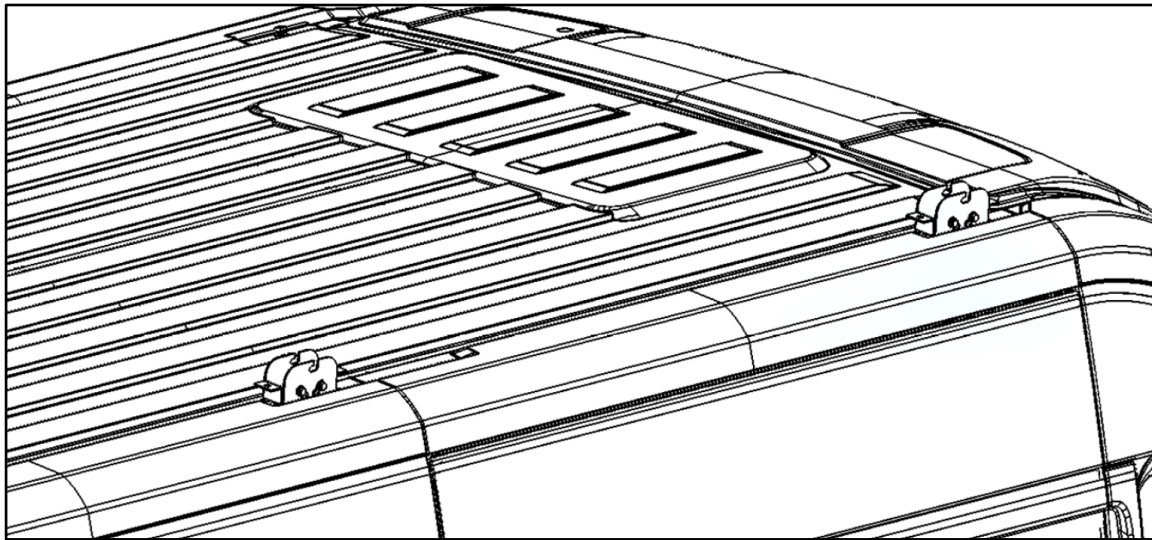


## Step 3 – Install Mount Brackets

**Note:** You may need to scrape away factory installed seam sealer underneath the “T” stud to allow clearance for the clamping bracket. Be careful not to scrape away all of the sealant.

- Set mount bracket assembly over the “T” stud extruding from the top of the roof at the locations found in the previous step.
- Insert the clamp so the slot goes under the head of the “T” stud.
- Bolt through the bracket assembly and into the clamp using two 1/4" x 1-1/2" hex bolts, two 1/4" split lock washers and two 1/4" flat washers as shown.
- **DO NOT OVER TIGHTEN.** Some movement may be needed to install extrusions.
- Repeat at the remaining 3 forward mounting locations.



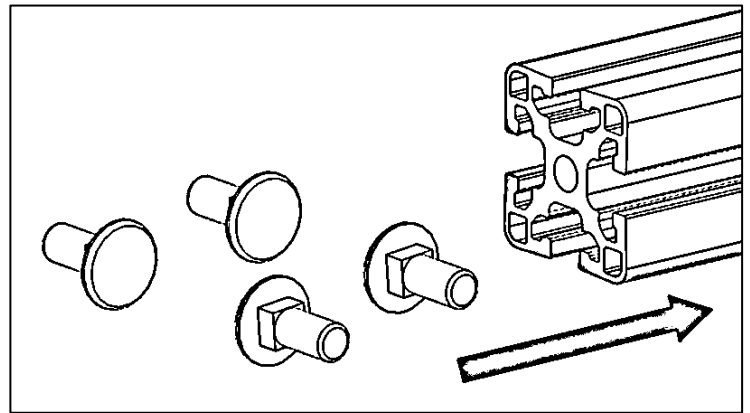


## Step 4 – Prepare Extrusion

- Slide two 5/16" x 3/4" carriage bolts on opposite sides of the extrusion.

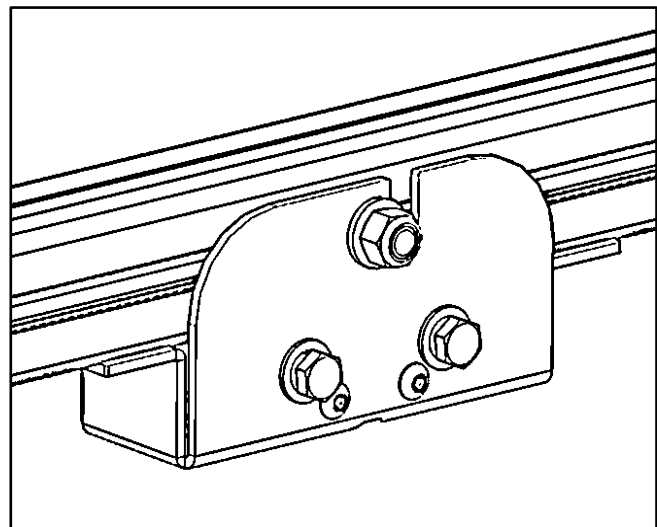
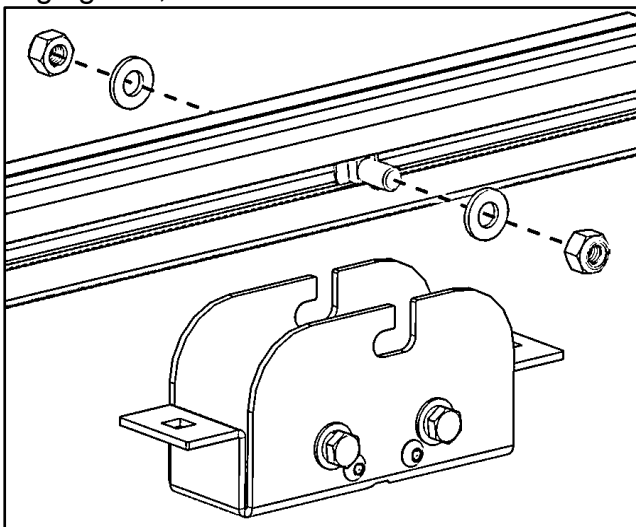
**Note:** These are the shorter carriage bolts in the hardware kits.

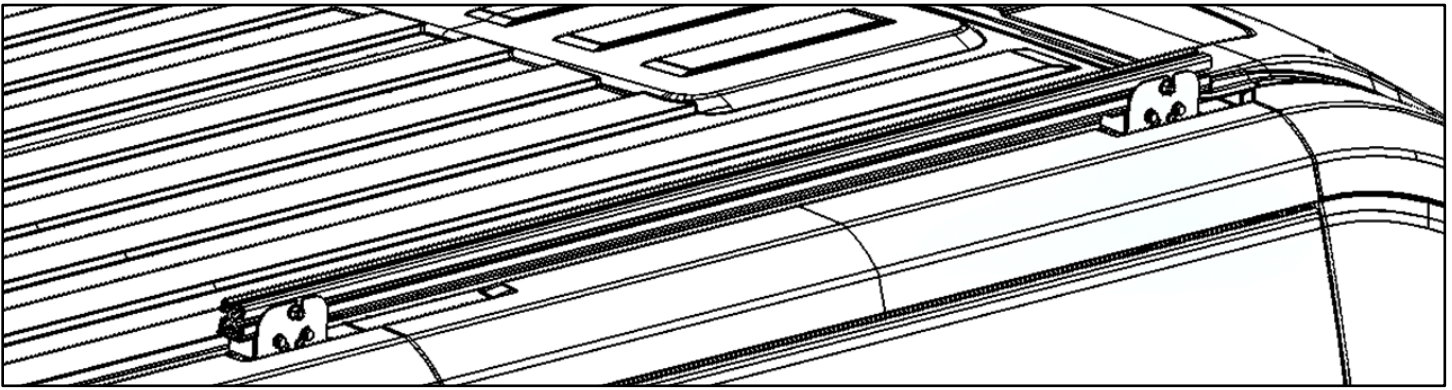
- Repeat on each extrusion, for a total of eight carriage bolts on two extrusions.



## Step 5 – Install Extrusion

- Place extrusion with carriage bolts onto the mount brackets that were installed in step 3.
- Align the carriage bolts with the slot on the mount brackets as shown.
- Secure mount brackets to the carriage bolts using 5/16" flat washers and a 5/16" lock nuts.
- Snug tighten, but allow movement.

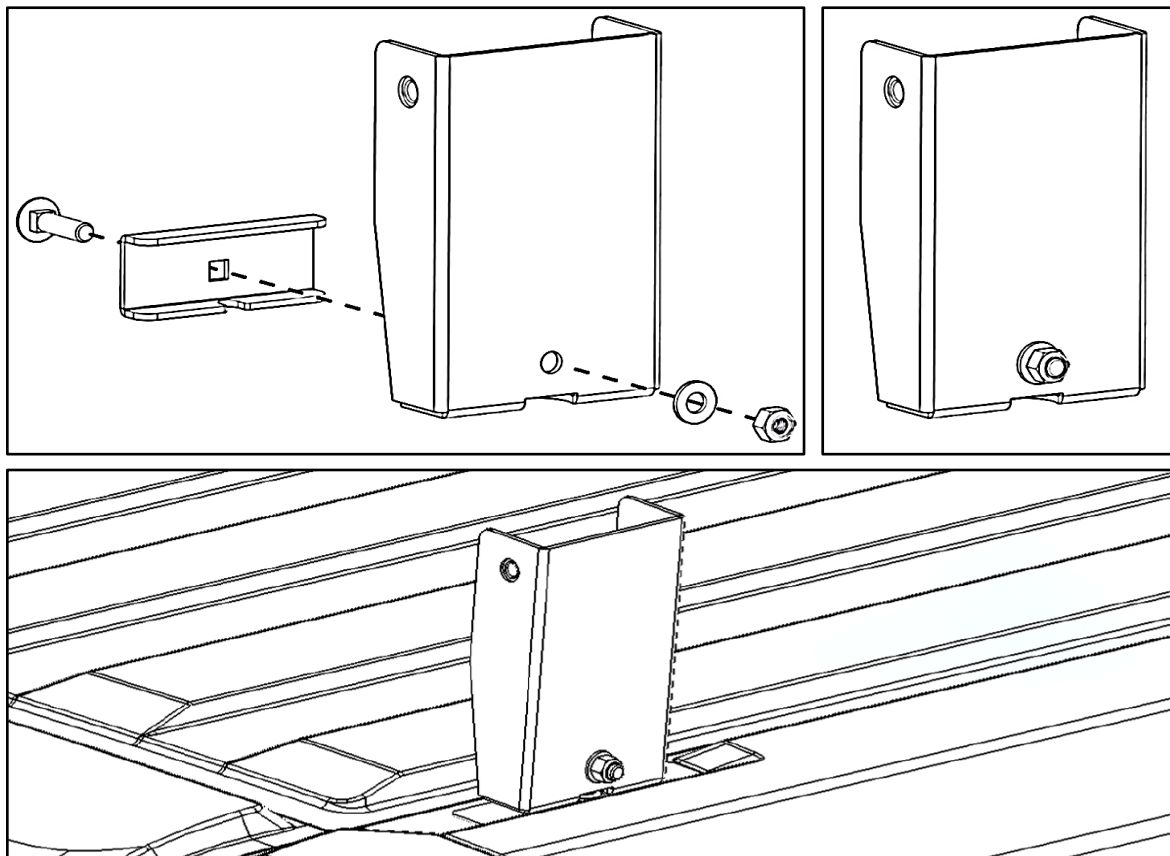




## Step 6 – Install Tall Feet

**Note:** You may need to scrape away factory installed seam sealer underneath the “T” stud to allow clearance for the clamping bracket. Be careful not to scrape away all of the sealant.

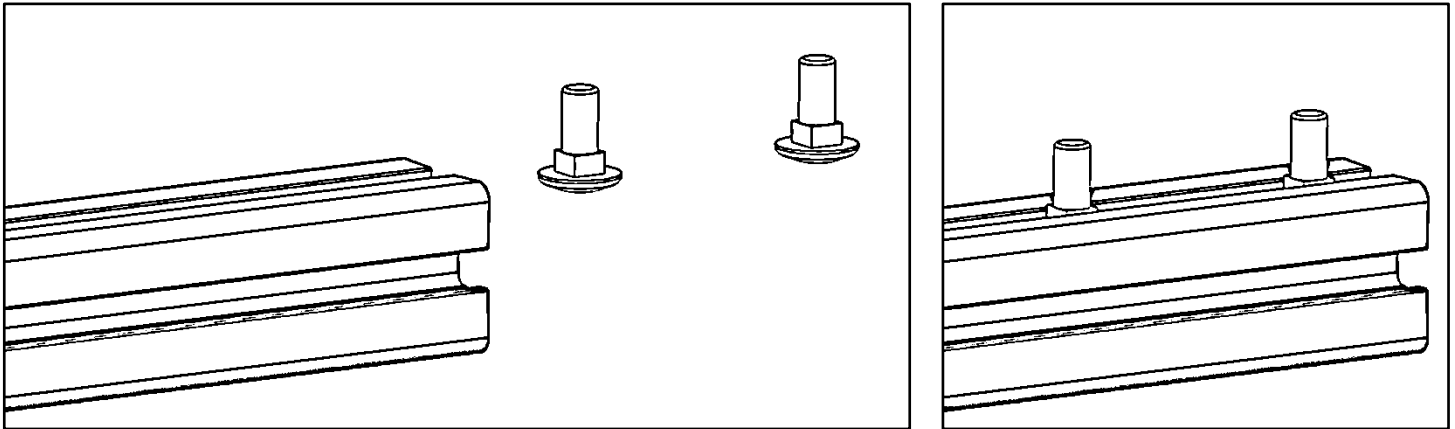
- Locate the “T” stud at the rear of the roof.
- Place the rear foot over the “T” stud at the rear of the roof.
- Insert clamp bracket so the slot goes under the head of the “T” stud.
- Bolt through the clamp bracket and the tall foot using a 5/16” x 1-1/4” carriage bolt, a 5/16” flat washer and a 5/16” lock nut in the order shown.
- **DO NOT OVER TIGHTEN.** Some adjustability may be needed until rack is installed on the vehicle.
- Repeat on other side.



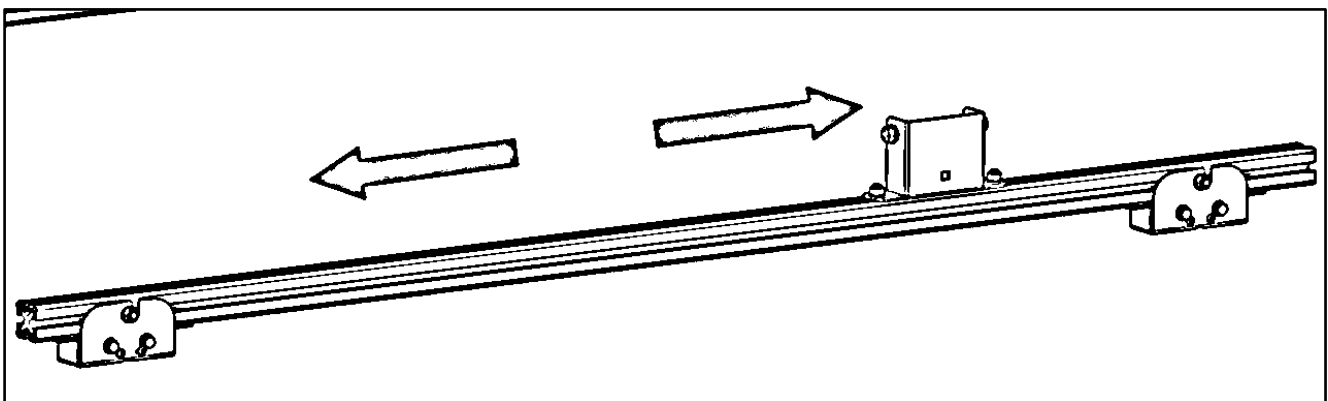
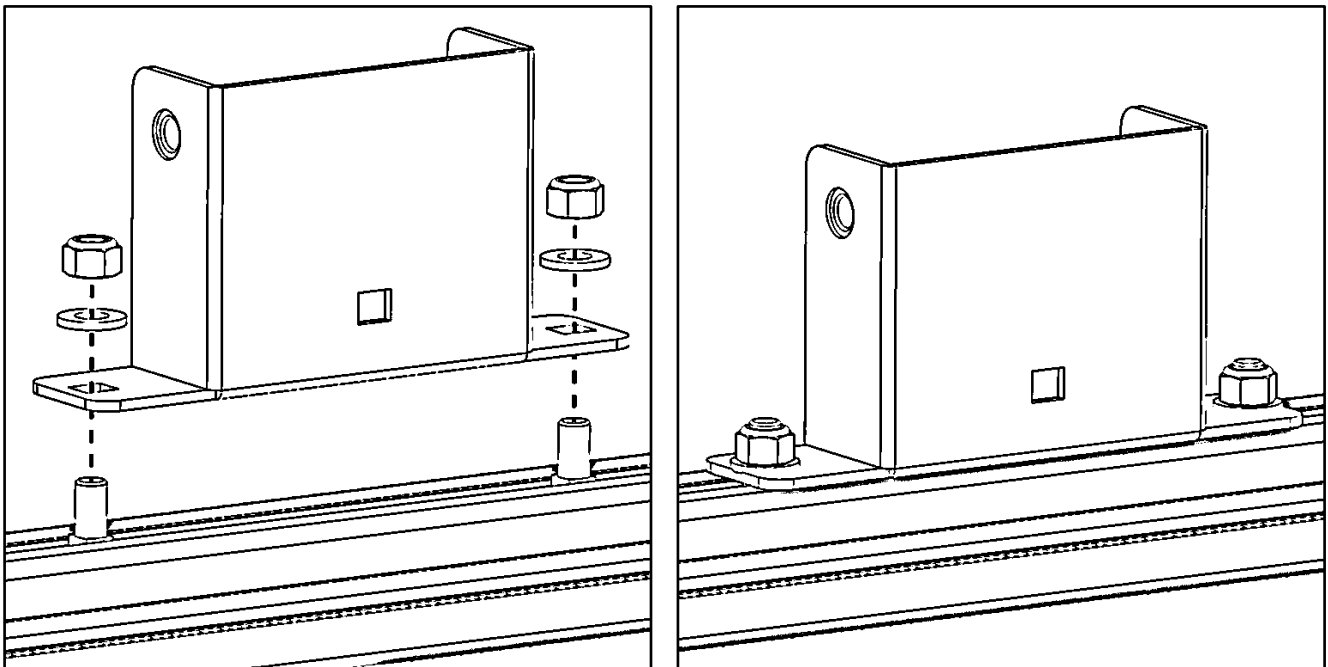


## Step 7 – Install Short Feet

- Slide two 5/16" x 3/4" carriage bolts into the top slots of both mounted extrusions.

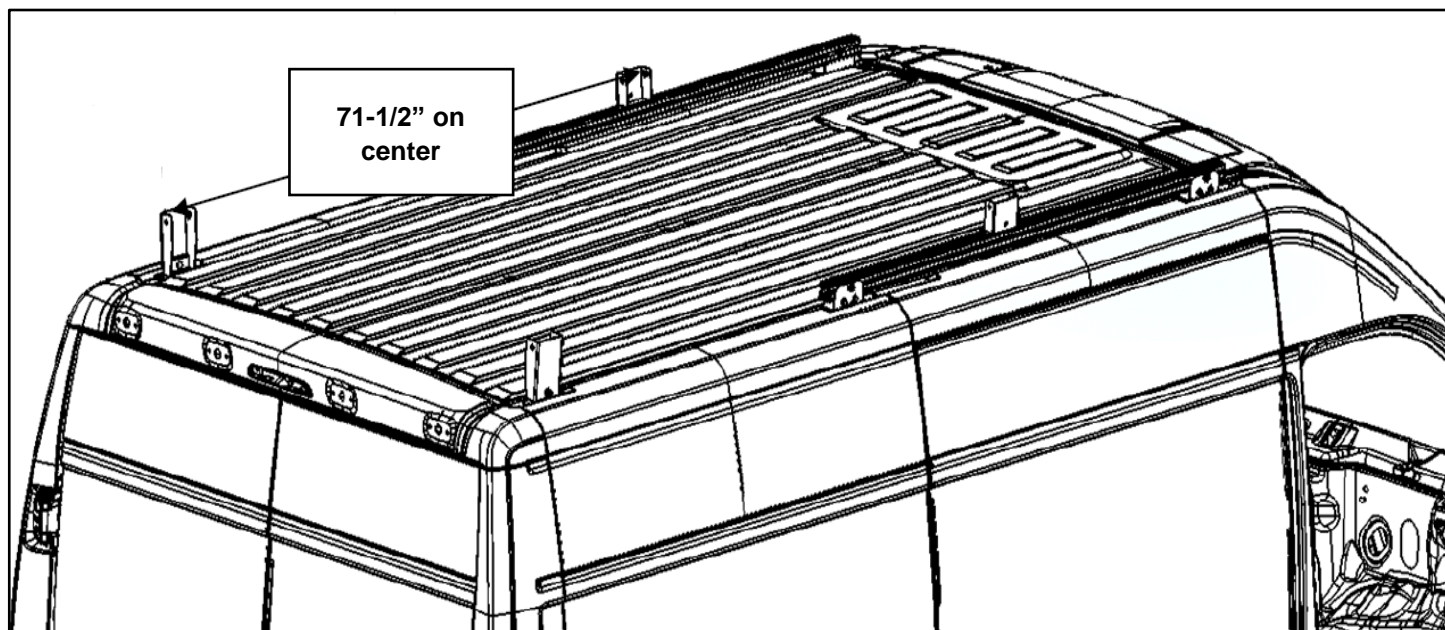


- Place the small feet over these carriage bolts.
- Secure feet to carriage bolts using 5/16" flat washers and 5/16" lock nuts.
- **DO NOT TIGHTEN**, some adjustment will be needed.

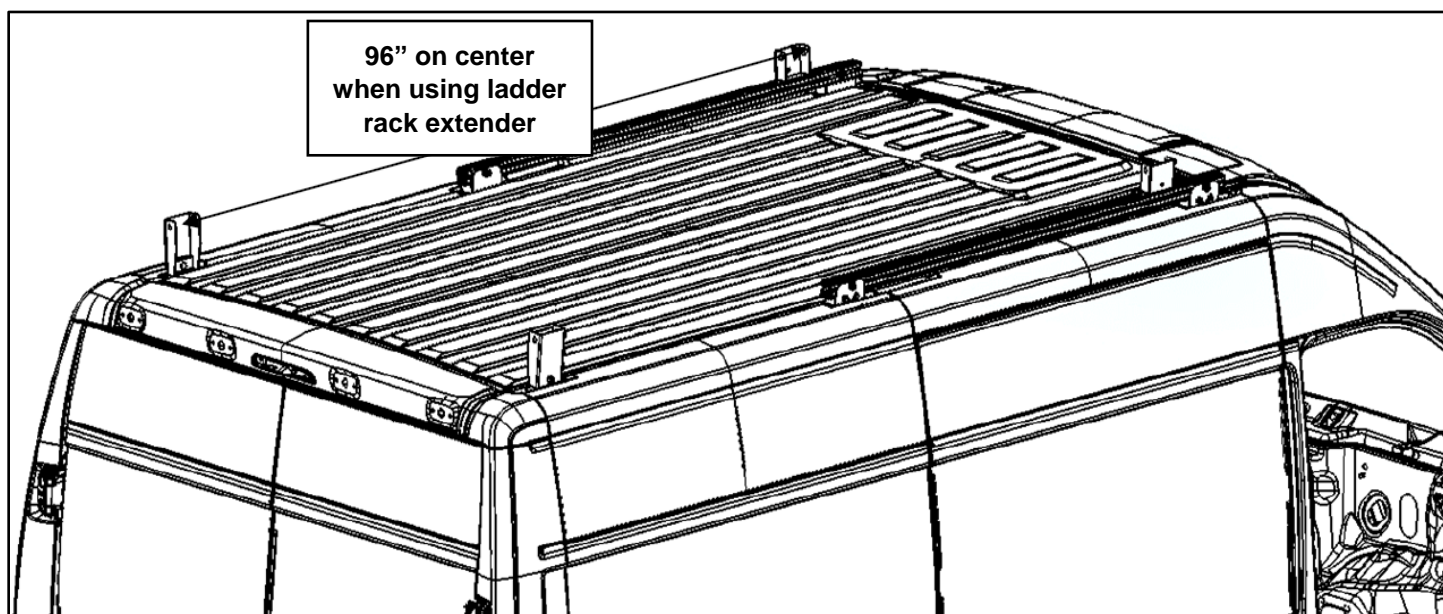


## **Step 8 – Set Short Feet Location**

- If **NOT** using the optional ladder rack extender, set the center-to-center distance between rear and front feet to 71-1/2".

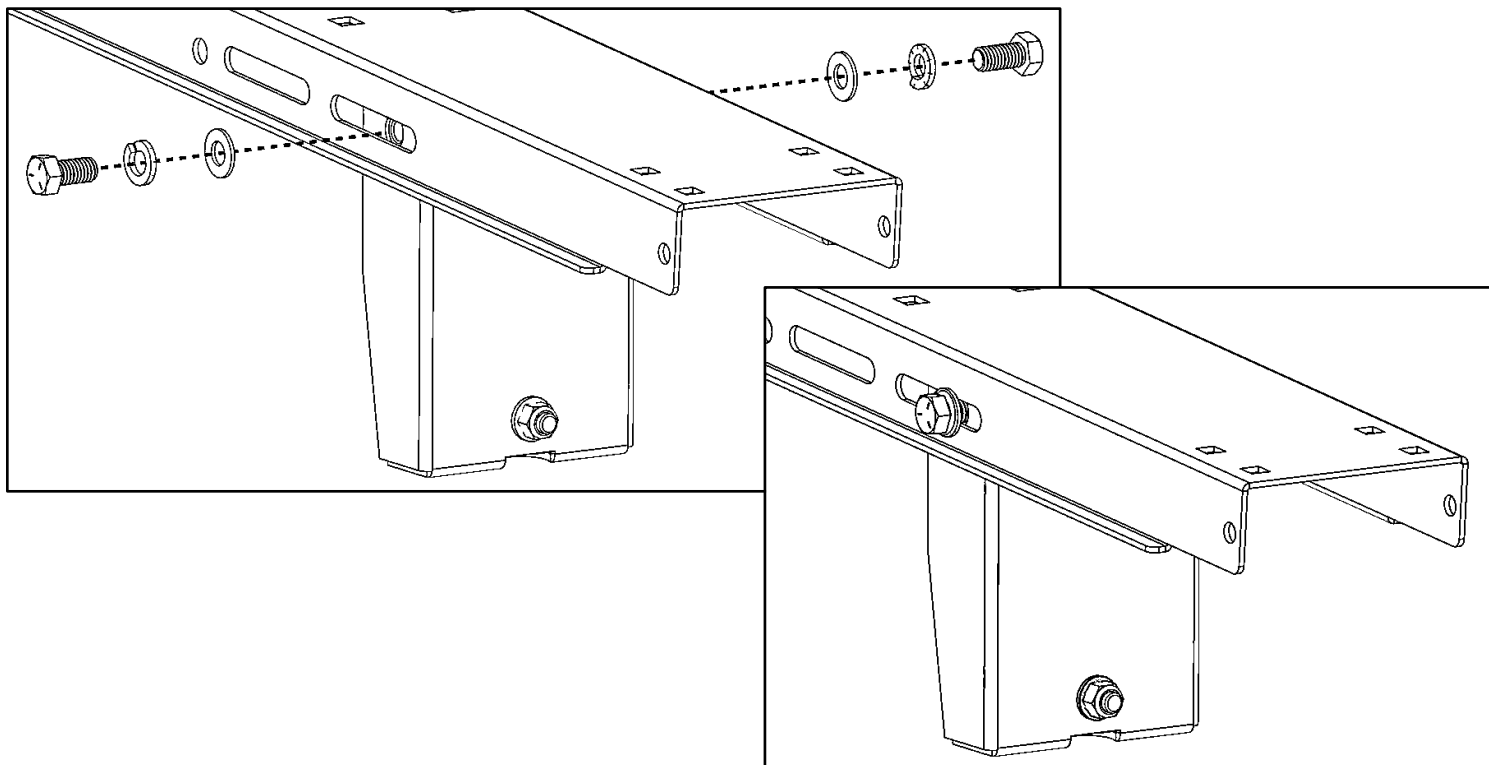


- If using the optional ladder rack extender, set the center-to-center distance between rear and front feet to 96".



## **Step 9 – Mount Feet to Rack**

- Center the rack crossbows over the feet, and bolt the bows to the feet using 3/8"-16 x 3/4" hex head, a 3/8" lock washer and a 3/8" flat washer in order shown.



**GO BACK AND ENSURE ALL HARDWARE IS TIGHT.**

**INSTALLATION IS NOW COMPLETE.**

