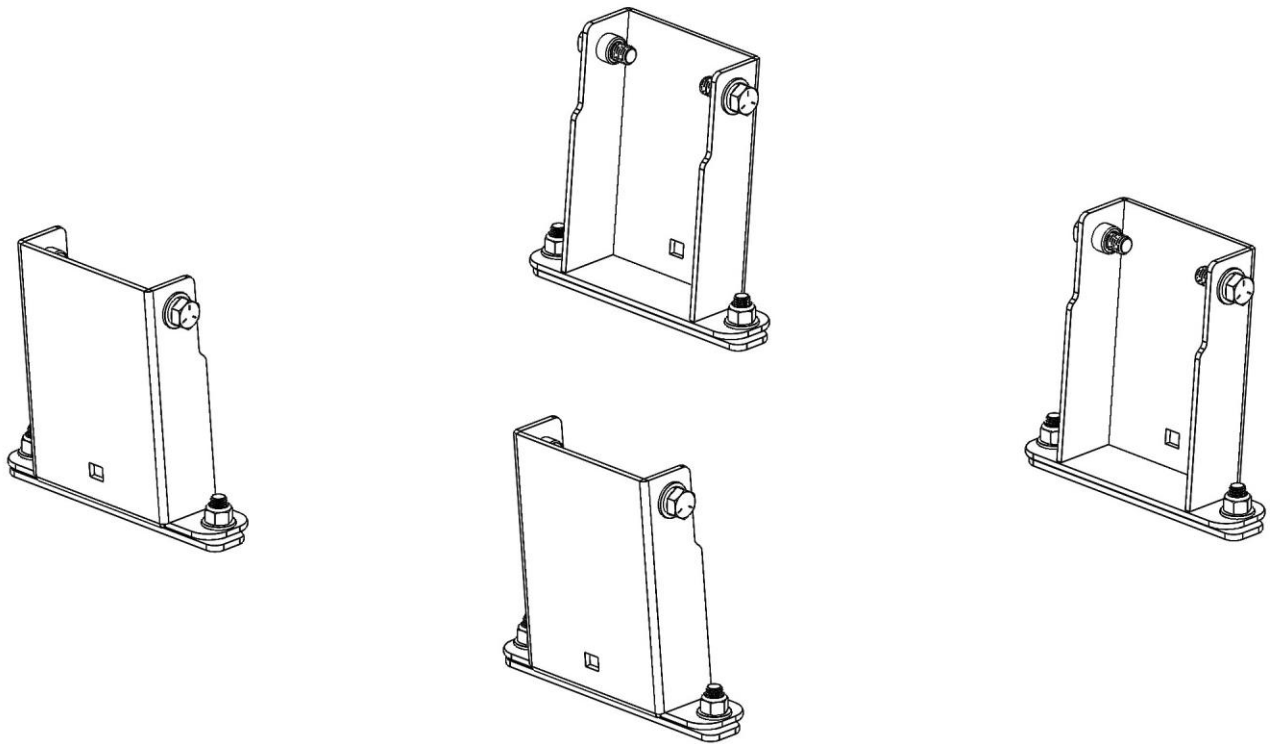


# Holman

---

## Instruction Guide 4081SF

---



---

Holman  
Rancho Cordova, CA 95742  
800-343-7486  
[InstallationSupport@Holman.com](mailto:InstallationSupport@Holman.com)

**PLEASE READ ALL INSTRUCTIONS AND WARNINGS PRIOR TO ASSEMBLING, INSTALLING, AND USING THIS PRODUCT.**

## Warning



Always check for wires, fuel tanks and lines, brake lines and other important vehicle functionality items prior to drilling and installing all products.



**DO NOT EXCEED MANUFACTURERS WEIGHT CAPACITY FOR ROOF.**

## Tools Needed

1/2", 9/16" Sockets and Wrench	Tape Measure
--------------------------------	--------------


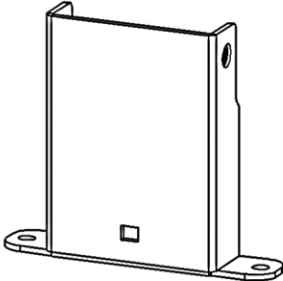
## Table of Contents

Before You Begin .....	1
Parts .....	2
Hardware .....	2
Step 1 – Install Feet to Factory Rails .....	3
Step 2 – Install Rack to Feet .....	5

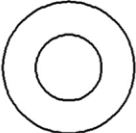

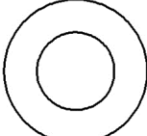
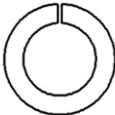
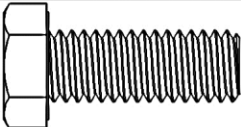
## Before You Begin

- Read all instructions prior to assembling or installing any Holman product.
- Always locate your installation locations prior to performing any work.
- **ENSURE SAFETY WHILE INSTALLING OR DRILLING INTO VEHICLE.**
- Refer to assembly instructions provided with rack to assemble rack. **It is recommended to have the rack assembled before installation.**

## Parts

NO.	ITEM	PART NUMBER	DESCRIPTION	QTY.
1		4081SF-001	SPRINTER FACTORY RAIL SLIDER	4
2		4081SF-02	SPRINTER FACTORY RAIL FOOT	4
3		18-4081SF	4081SF HARDWARE KIT	1

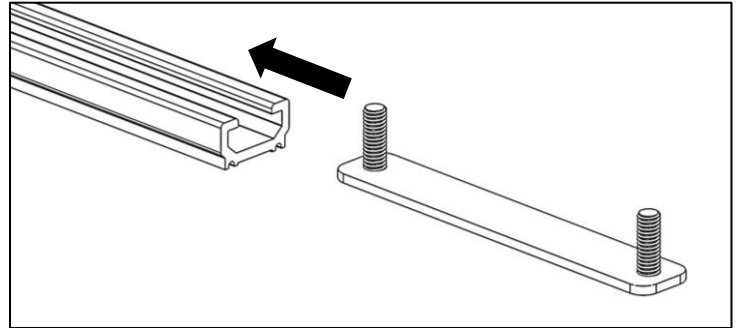
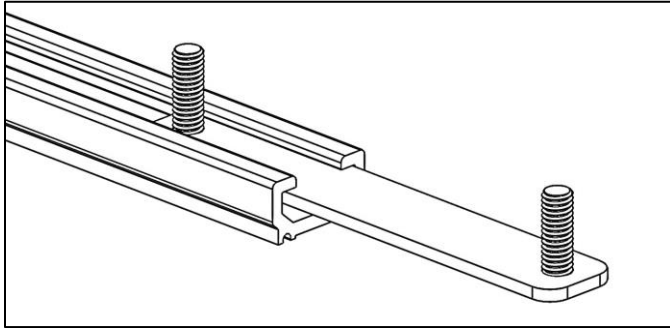
## Hardware

ITEM	HARDWARE TO SCALE	PART NUMBER	DESCRIPTION	QTY.
1		11545144	5/16" FLAT WASHER	8
2		0169777	5/16"-18 LOCK NUT	8
3		1133082	3/8" WASHER	8
4		1133622	3/8" LOCK WASHER	8
5		70105	3/8-16 X 1" HEX HEAD BOLT	8

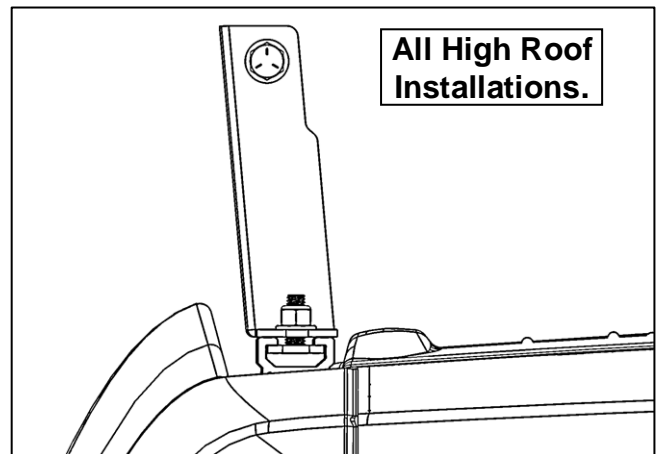
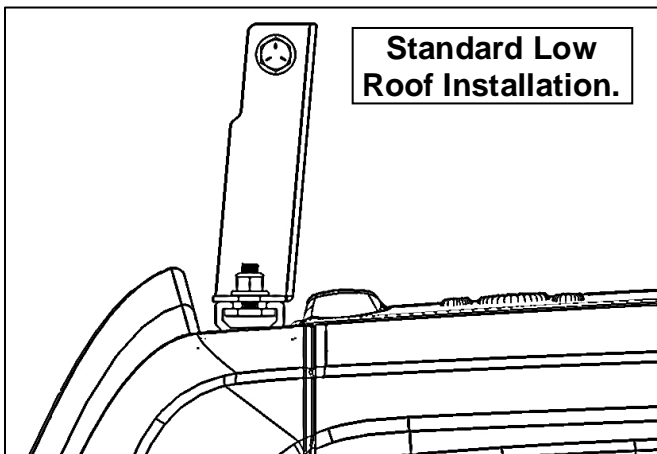
## DO NOT EXCEED MANUFACTURERS WEIGHT CAPACITY FOR ROOF.

### Step 1 – Install Feet to Factory Rails

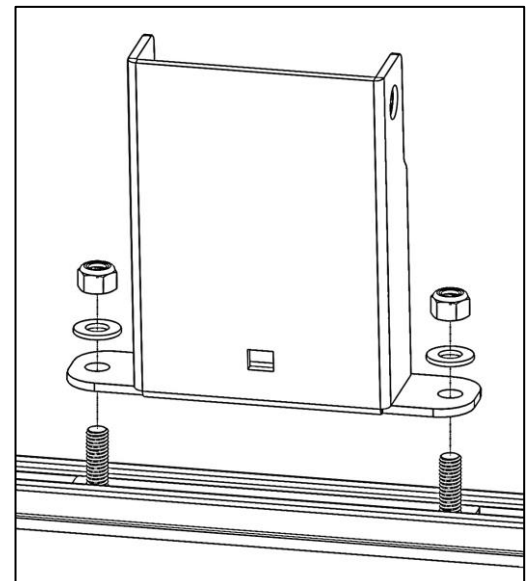
- Measure the bow center to bow center distance on rack being installed. Standard bow-to-bow distances are 71-1/2" or 96".
- Slide a rail slider into factory rail on one side of vehicle.



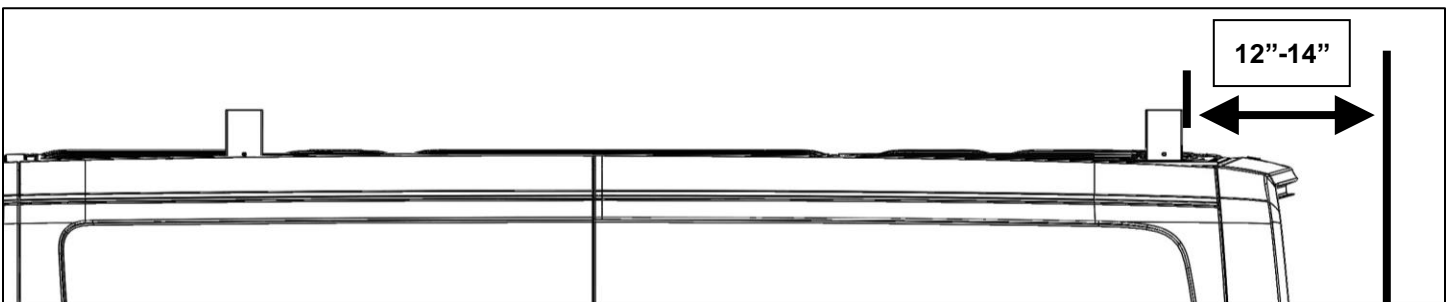
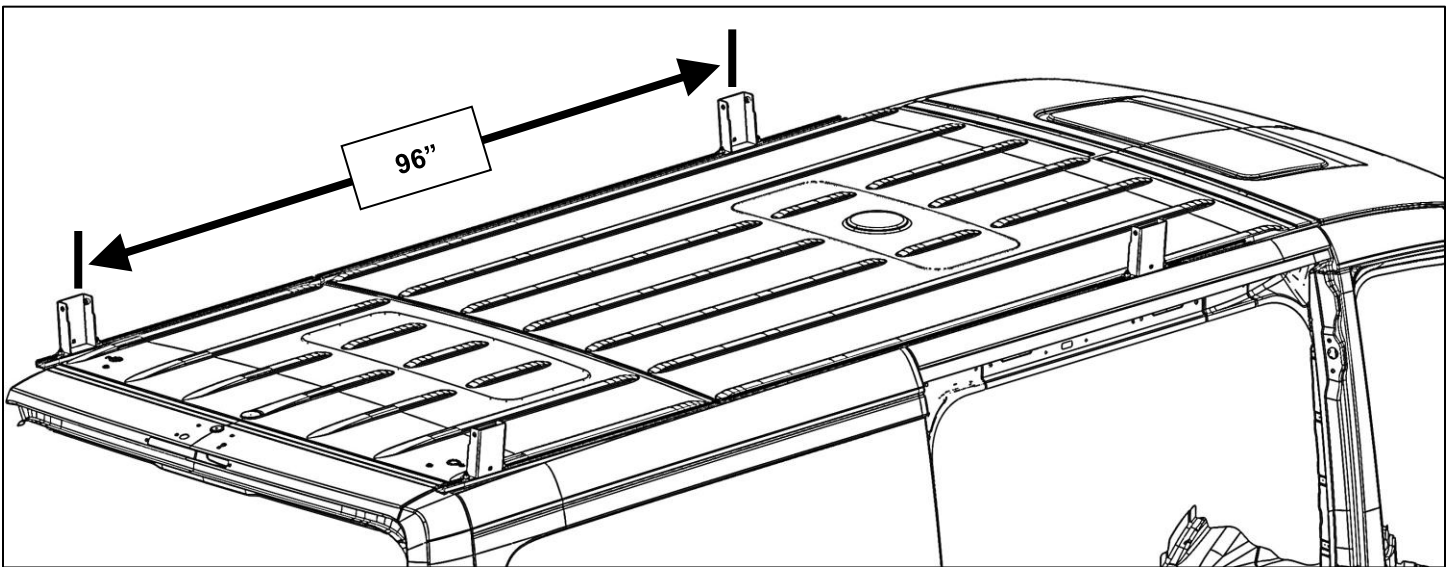
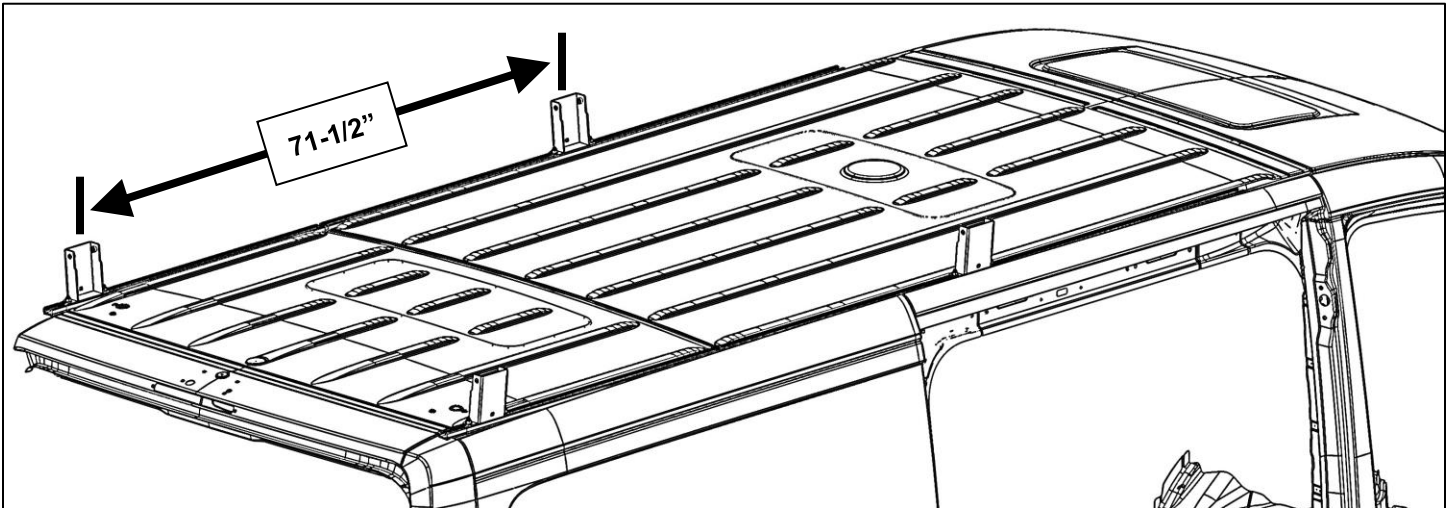
- Feet may be mounted inward or outward. Feet will face inwards on standard low roof installations and will face outwards on all high roof installations.



- Set foot over rail slider studs.
- LOOSELY attach a 5/16" washer and 5/16" lock nut to each stud.
- Repeat for second foot.

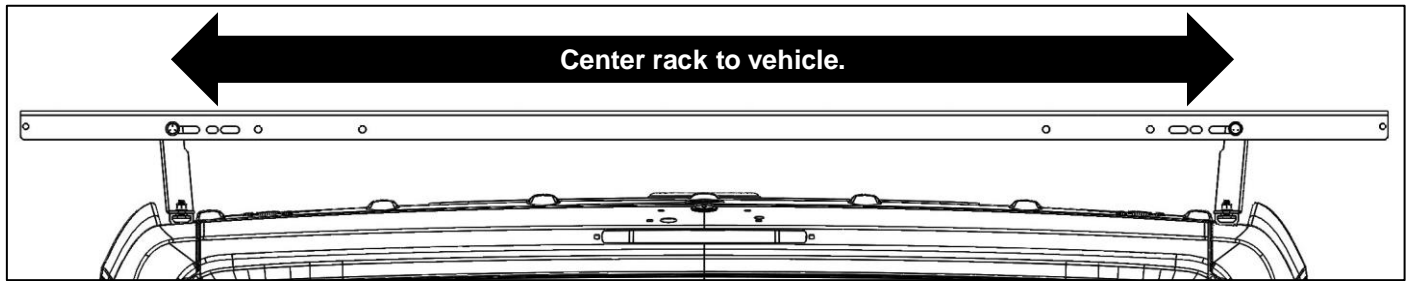


- Position feet center-to-center at the distance measured previously.
  - Standard bow-to-bow distances are 71-1/2" or 96".
  - Rear foot should be about 12" to 14" inches from the rear of vehicle for rack handle clearance.
- Loosely tighten hardware.
- Repeat for opposite side.

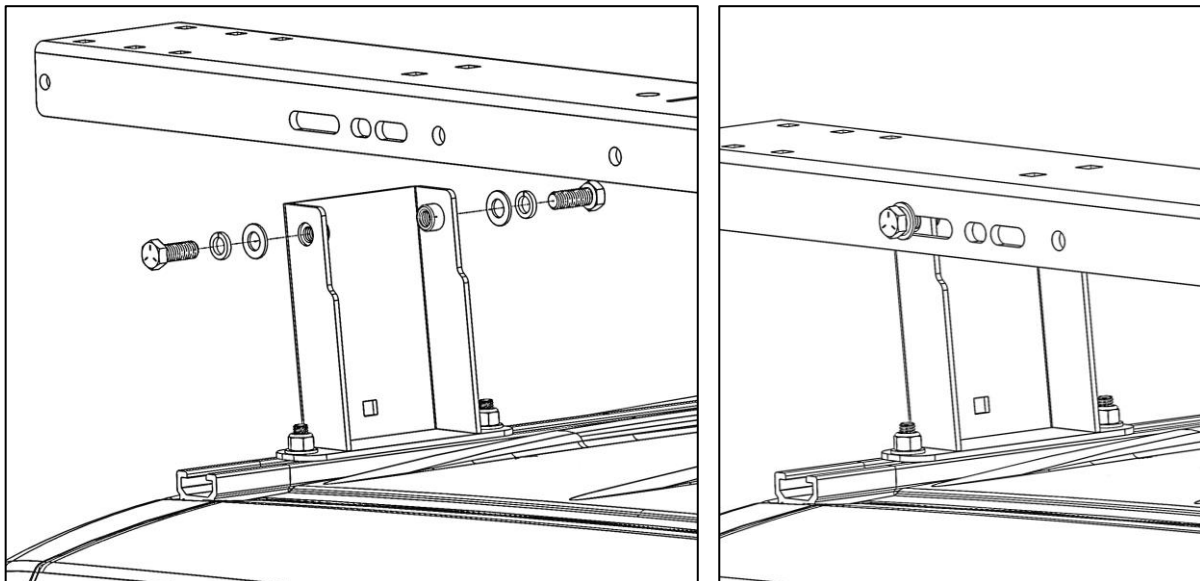


## **Step 2 – Install Rack to Feet**

- Set rack on feet. Center rack to vehicle.



- Using 3/8" x 1" hex head bolts, 3/8" lock washers, and 3/8" flat washers, install rack bows to feet.
- **Square and align rack to vehicle.**
- **Tighten hardware.**



**GO BACK AND TIGHTEN ALL HARDWARE.**

**ASSEMBLY AND INSTALLATION ARE COMPLETE.**

