

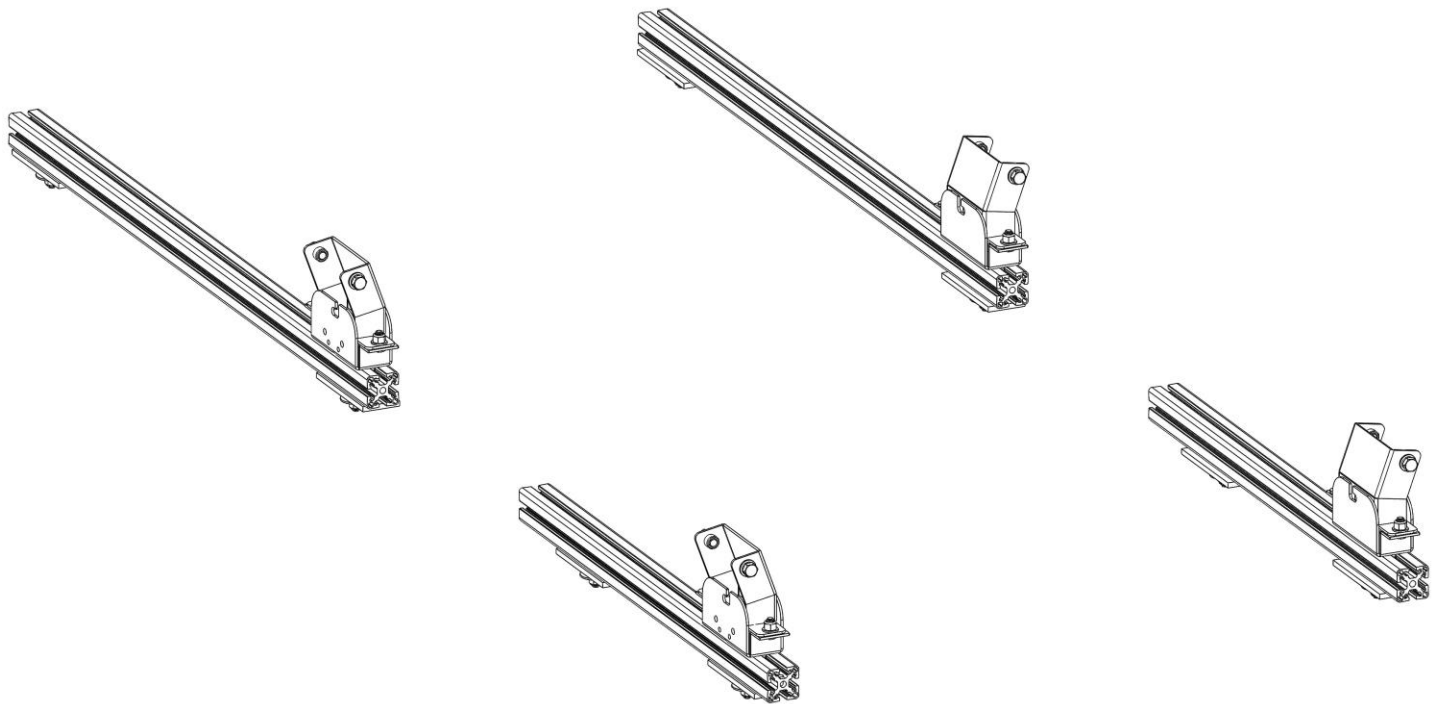
# Holman

---

## Installation Guide

### 4081S

---



---

Holman  
Rancho Cordova, CA 95742  
800-343-7486  
[InstallationSupport@Holman.com](mailto:InstallationSupport@Holman.com)

---

## PLEASE READ ALL INSTRUCTIONS AND WARNINGS PRIOR TO ASSEMBLING, INSTALLING, AND USING THIS PRODUCT

### Warning



Always check for wires, fuel tanks and lines, brake lines and other important vehicle functionality items prior to drilling and installing all products.

### Tools Needed

1/2" Socket and Wrench	9/16" Socket and Wrench
1/2" Box Wrench	Tape Measure



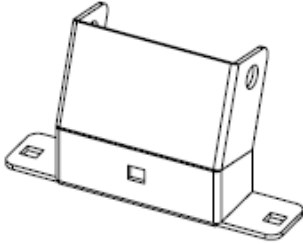
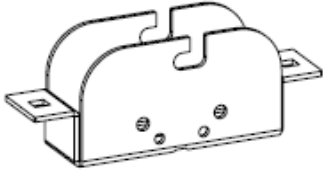
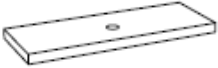
### Table of Contents

Table of Contents .....	1
Before You Begin .....	1
Parts List.....	2
Hardware (18-4081S).....	3
Step 1 – Prepare Extrusion.....	4
Step 2 – Locate Mount Holes .....	4
Step 3 – Attach Mount Rails .....	5
Step 4 – Attach Mount Block .....	7
Step 5 – Attach Mount Feet.....	8
Step 6 – Mount Rack to Feet.....	9

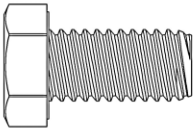
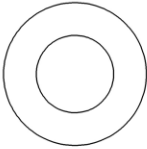
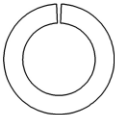
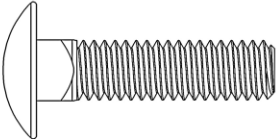
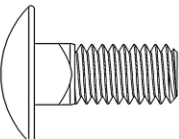

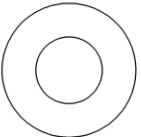
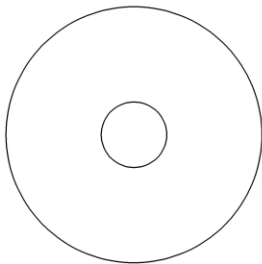
### Before You Begin

- Read all instructions prior to installing any Holman product.
- **Be sure to put sealant around all threads entering cargo area and between the rubber spacer and roof of vehicle to prevent water from leaking into cargo area.**
- Follow rack assembly instructions to assemble rack.

## Parts List

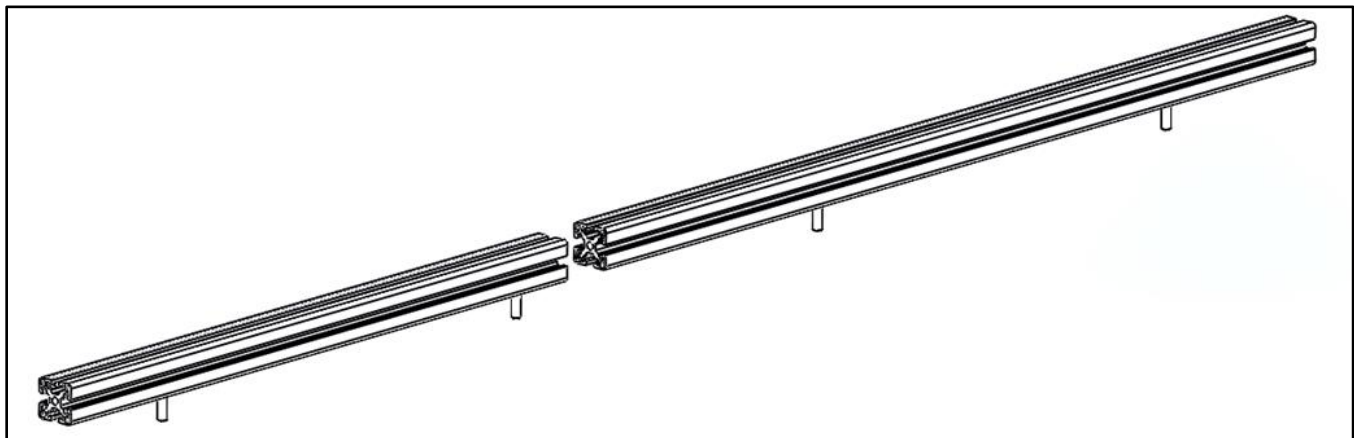
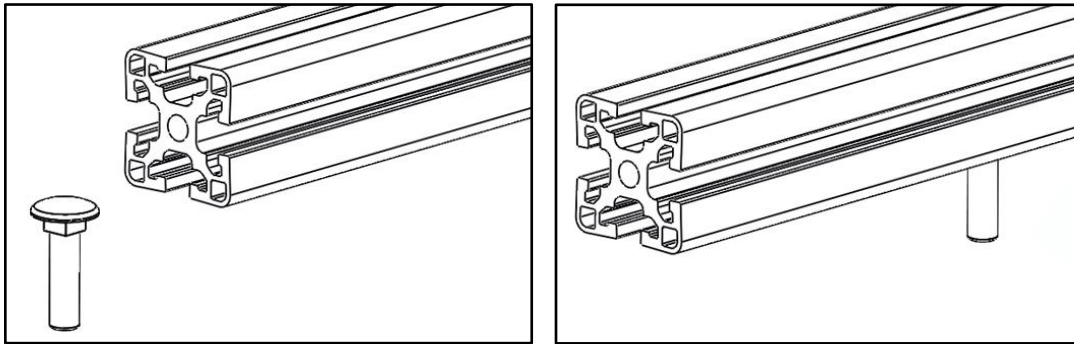
NO.	ITEM	PART NUMBER	DESCRIPTION	QTY
1		40818-S-002	SPRINTER RAIL, LONG	2
2		40818-S-003	SPRINTER RAIL, SHORT	2
3		100862	SPRINTER HR FOOT	4
4		40818-20-003	RAISED FOOT BRACKET	4
5		40818-10-003	Transit and Sprinter Rubber Pad	8
6		18-4081S	Sprinter Bolt Kit - 4081S	1

## Hardware (18-4081S)

ITEM	HARDWARE TO SCALE	PART NUMBER	DESCRIPTION	QTY.
1		11241196	3/8-16 X 3/4" HEX HEAD BOLT	8
2		0159723	3/8" FLAT WASHER	8
3		0123496	3/8" SPLIT LOCK WASHER	8
4		21818	5/16-18 x 1-1/4" CARRIAGE BOLT	8
5		21810	5/16"-18 X 3/4" CARRIAGE BOLT	16
6		0169777	5/16"-18 NYLOC	24
7		33006	5/16" FLAT WASHER	16
8		0189947	5/16" FENDER WASHER	8
9		60ML SEALANT	Self Leveling Adhesive Sealant	1

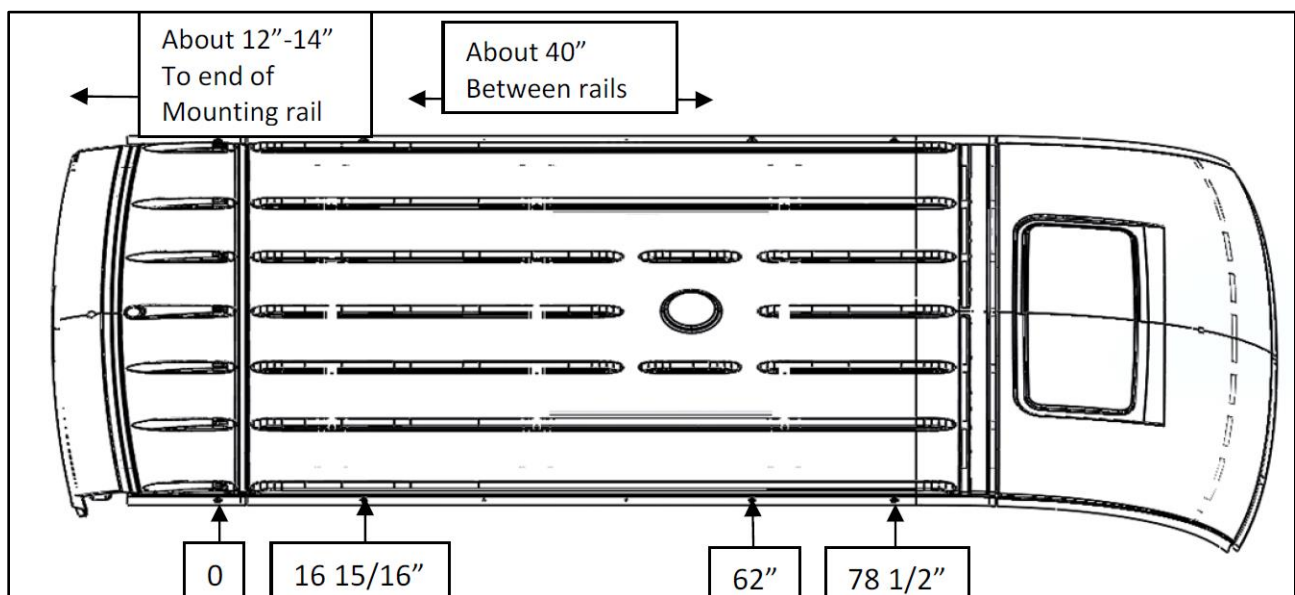
## Step 1 – Prepare Extrusion

- Slide two 5/16" x 1-1/4" carriage bolts into each rail piece.



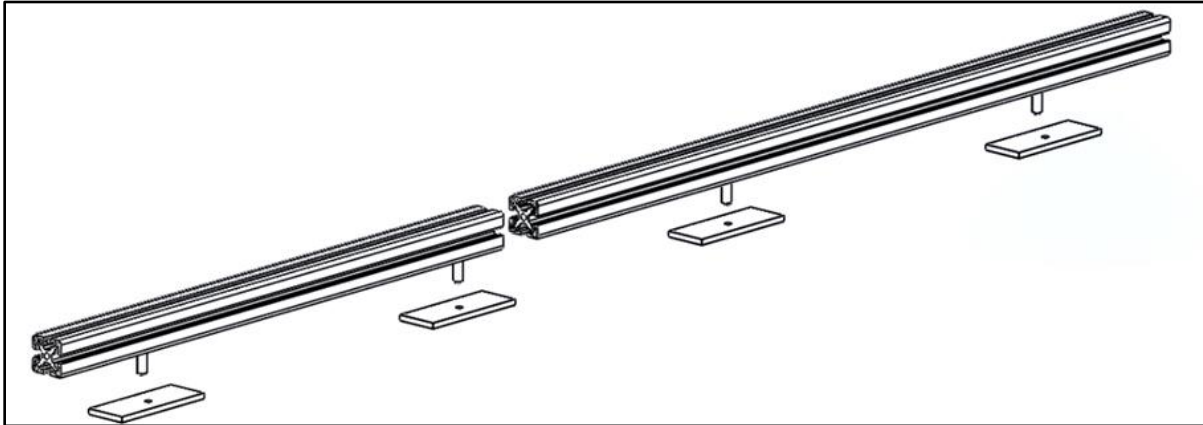
## Step 2 – Locate Mount Holes

- Using a 5/16" drill bit, locate and drill out the two rear most factory bosses, about 16-15/16" apart.
- Skip the next two bosses, then drill the forward two (at about 62" and 78.5" from the rear most hole).
- Some roof heights and wheelbases will vary. Your mounting rails should allow the rack to be mounted approximately between 14" to 18" from the rear of the van and have about 40" between mounting rails.

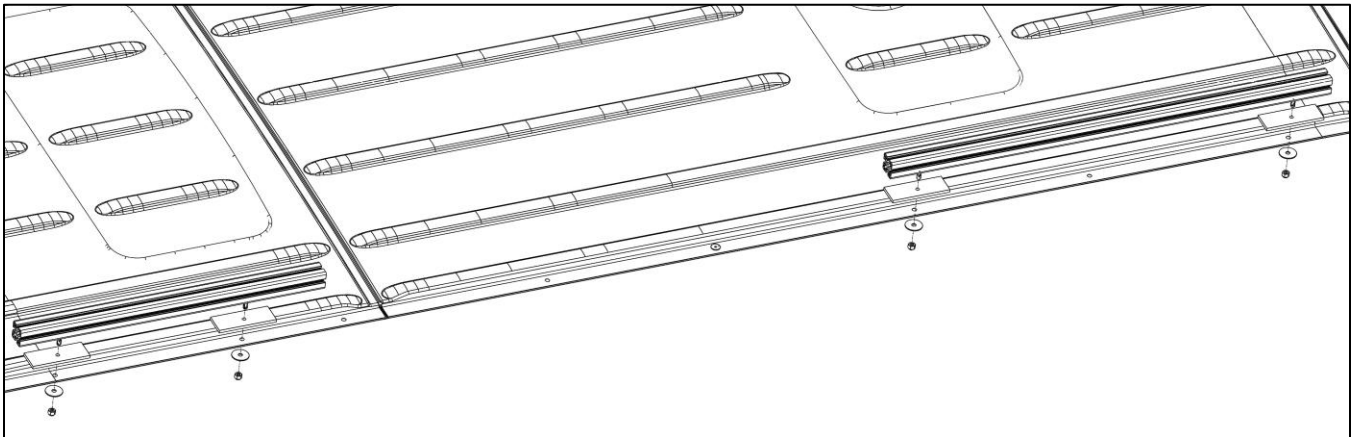


## Step 3 – Attach Mount Rails

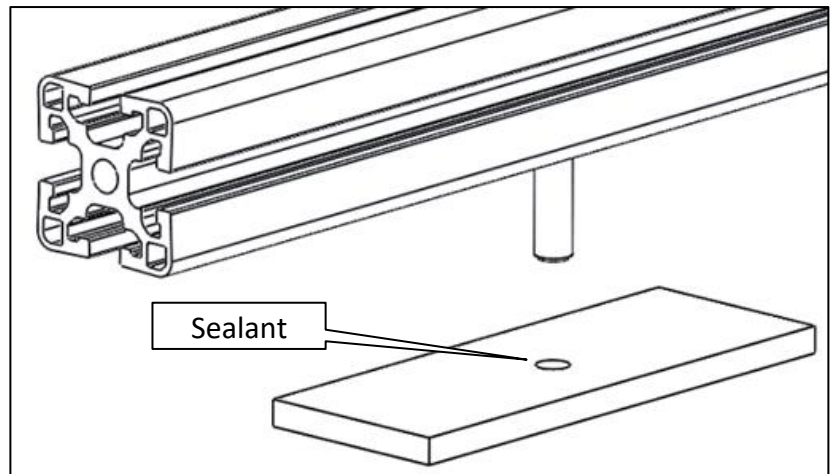
- Put rubber pad onto carriage bolts and align them with the holes drilled in previous step.



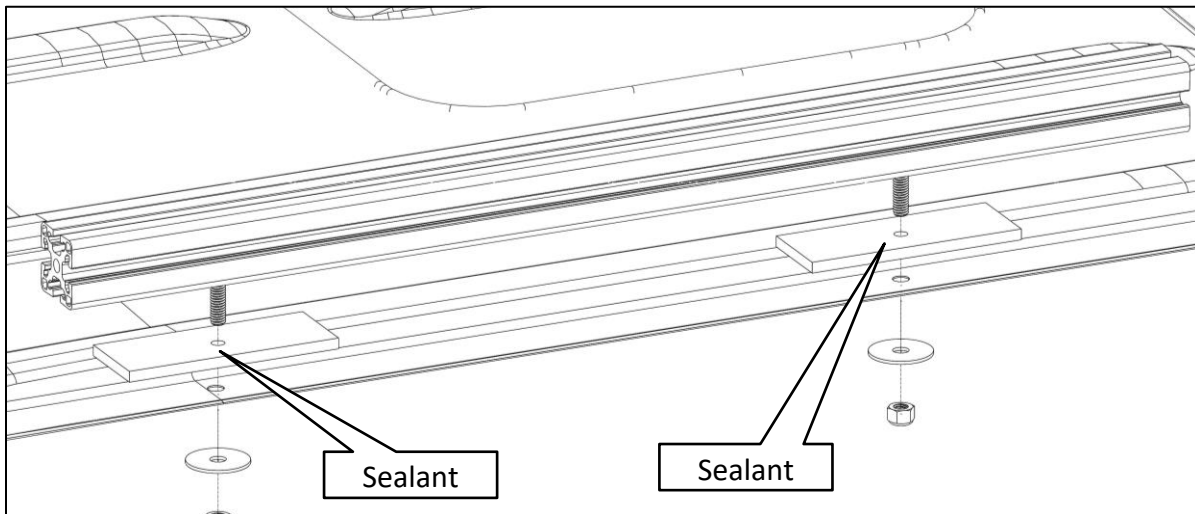
**PICTURE SHOWN ABOVE DOES NOT ACCURATELY SHOW SPACING BETWEEN RAILS**



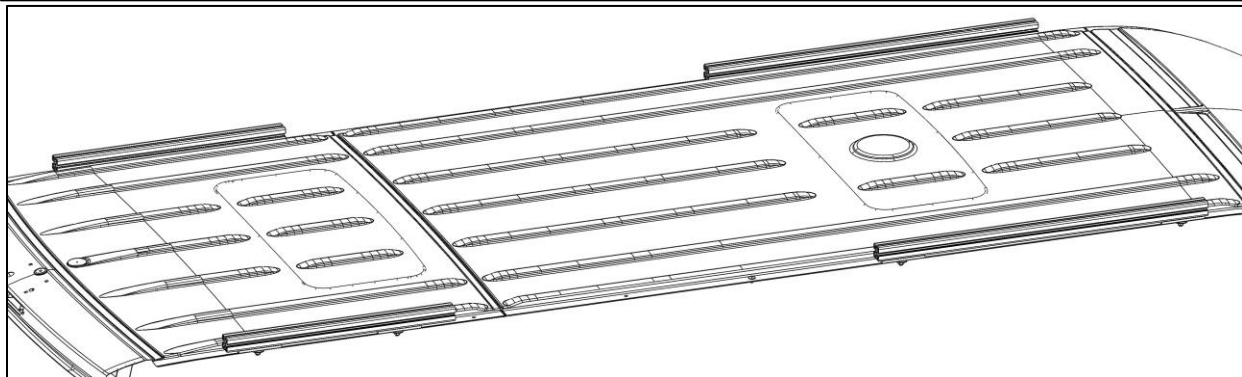
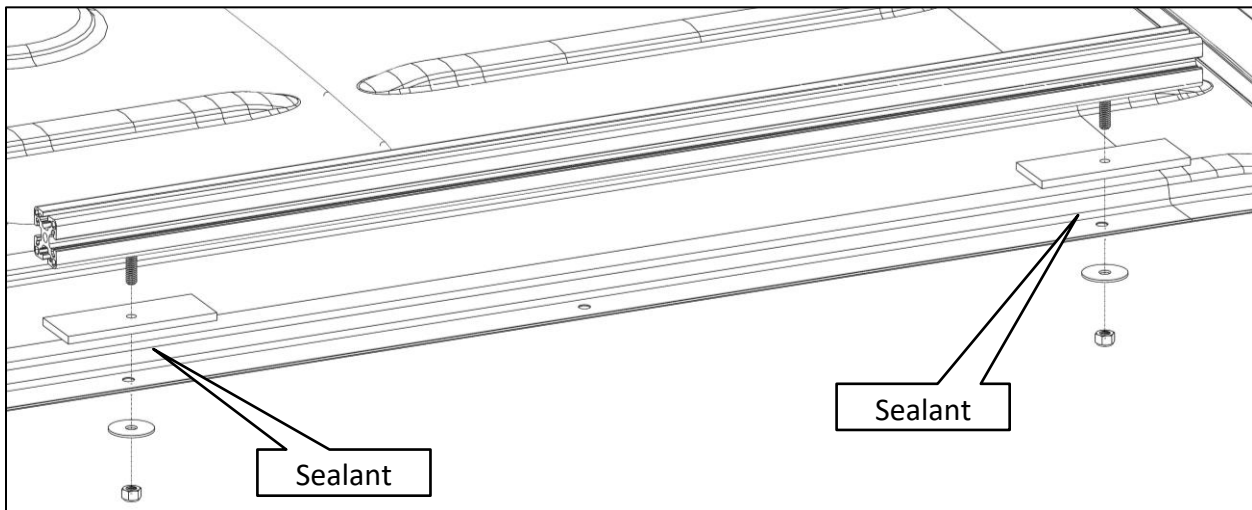
- Place sealant in between rubber pad and the roof.
- The shorter rail goes to the rear of the van with approximately 6" of the rail behind the carriage bolt.



- Using the previously installed carriage bolts, 5/16" fender washers and 5/16" lock nuts, bolt through the roof.
- **Be sure to put sealant around the hole in the roof to ensure no water leaks into van.**



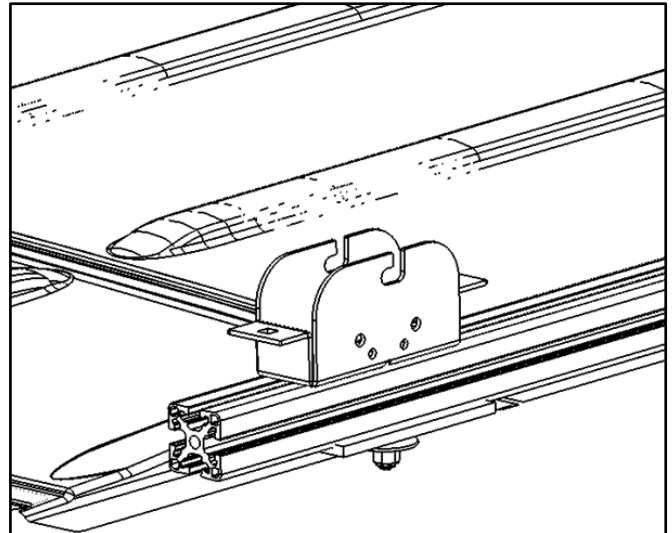
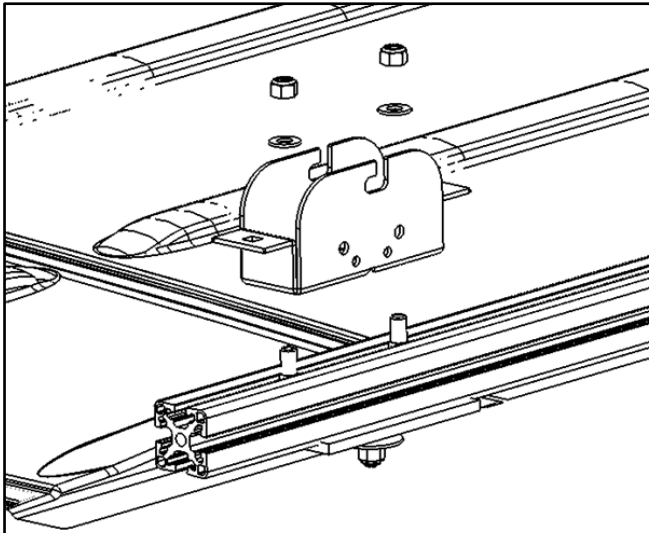
- Place longer rail on roof, towards front of van, with carriage bolts aligned with holes drilled. Keep approximately 40" in between the front and rear rails.
- **Place sealant in between rubber pad and the roof.**
- Using the previously installed carriage bolts, 5/16" fender washers and 5/16" lock nuts, bolt through the roof.
- **Be sure to put sealant around the hole in the roof to ensure no water leaks into van.**



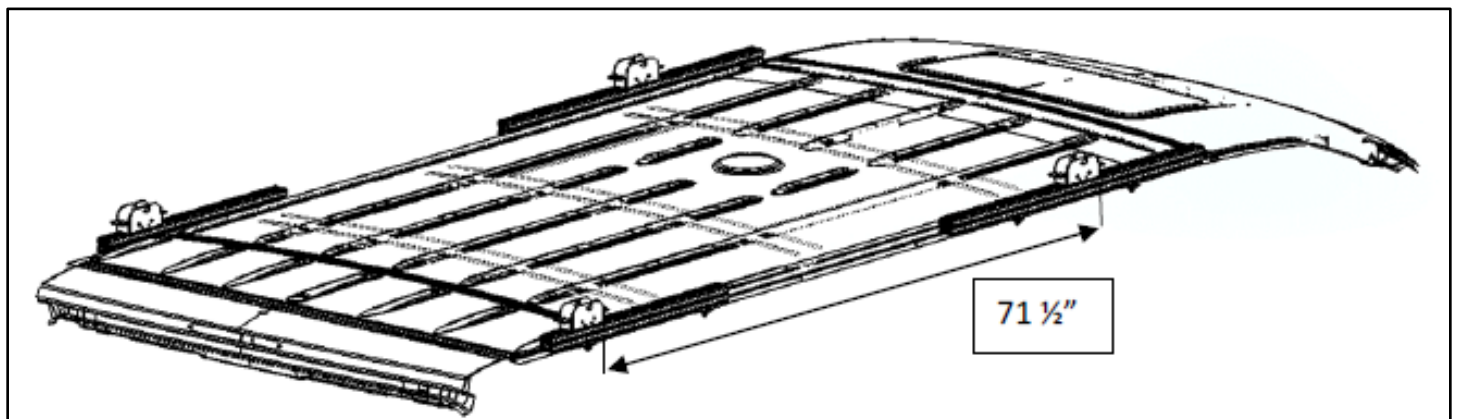
- Snug tighten, but allow movement.
- Repeat this entire step on driver side.

## **Step 4 – Attach Mount Block**

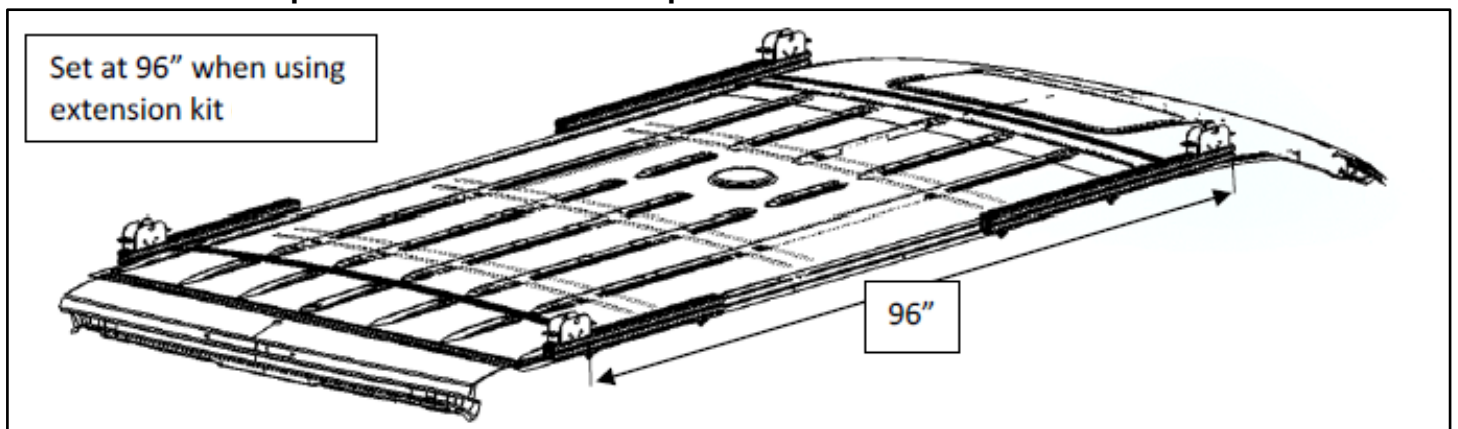
- Slide two 5/16" x 3/4" carriage bolts into the top slot on each rail piece.
- Place mount block on top of each carriage bolt.
- Using two 5/16" flat washers and two 5/16" lock nuts, bolt the mount blocks to the rails.
- Snug Tighten, but allow brackets to move.



Space mount blocks 71.5" apart for a standard installation.



Space mount blocks 96" apart for an extended installation.

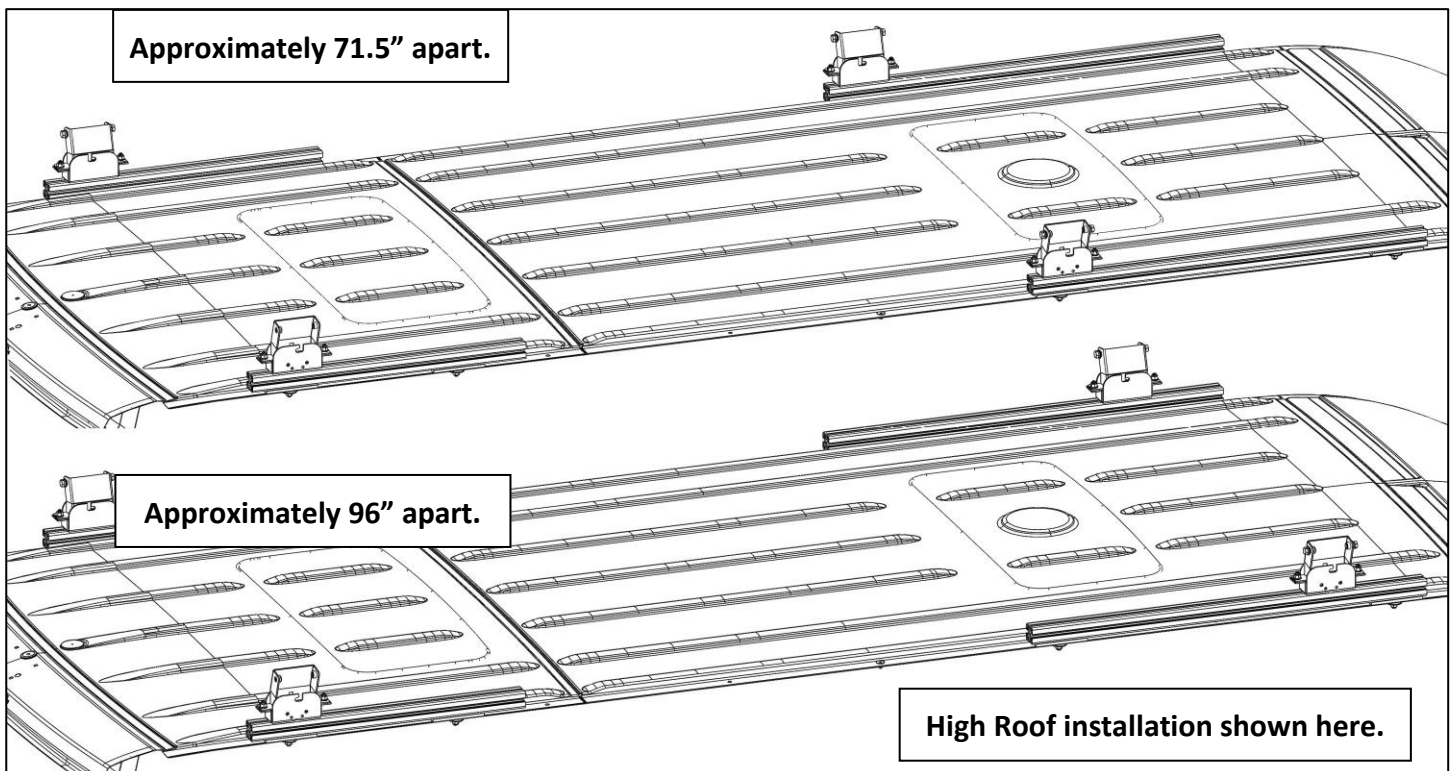
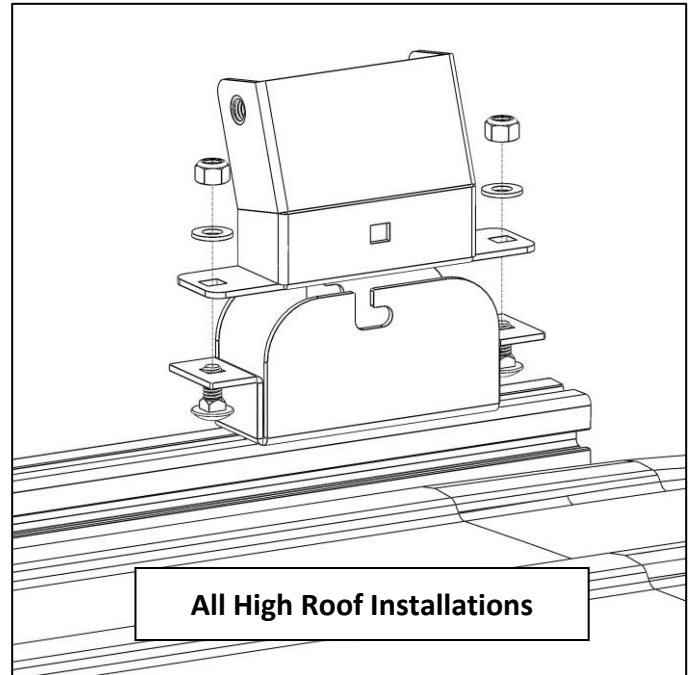
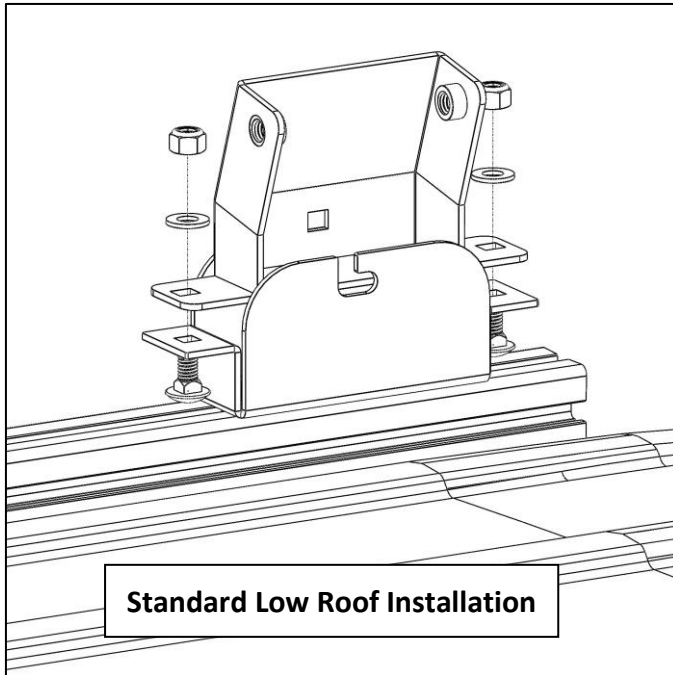




## Step 5 – Attach Mount Feet

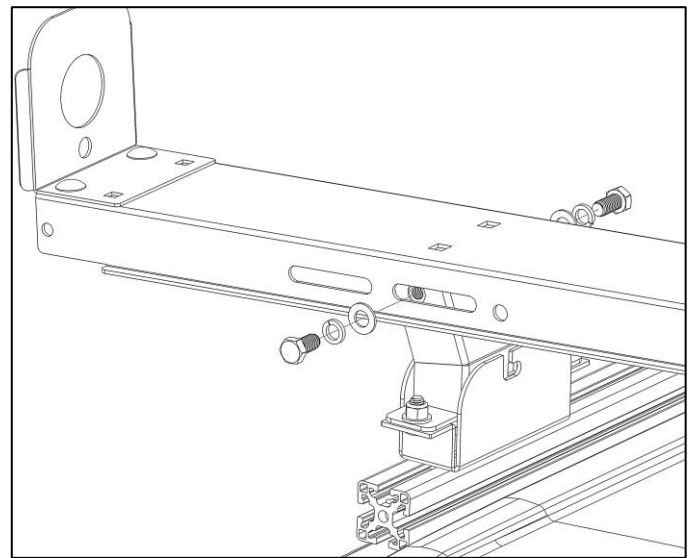
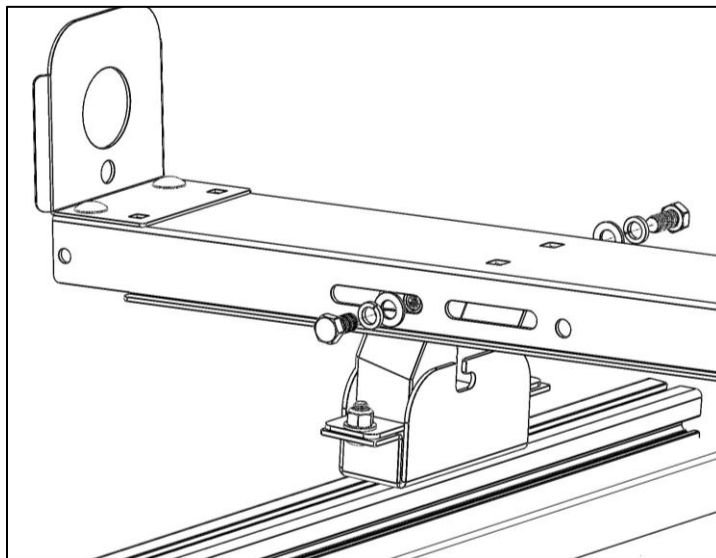
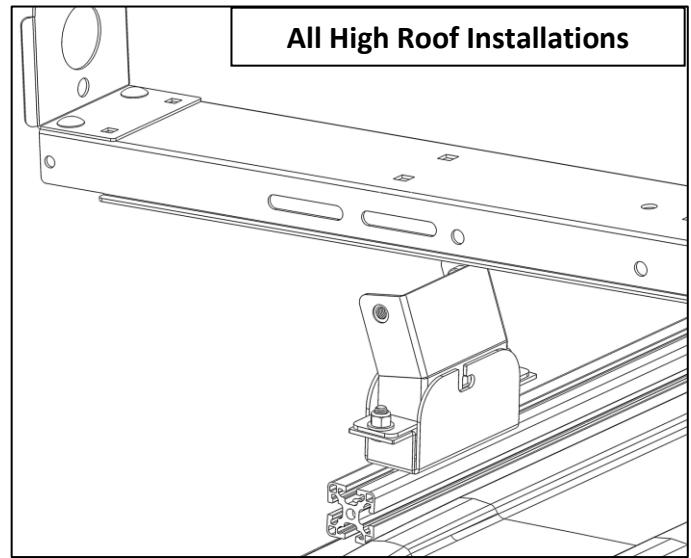
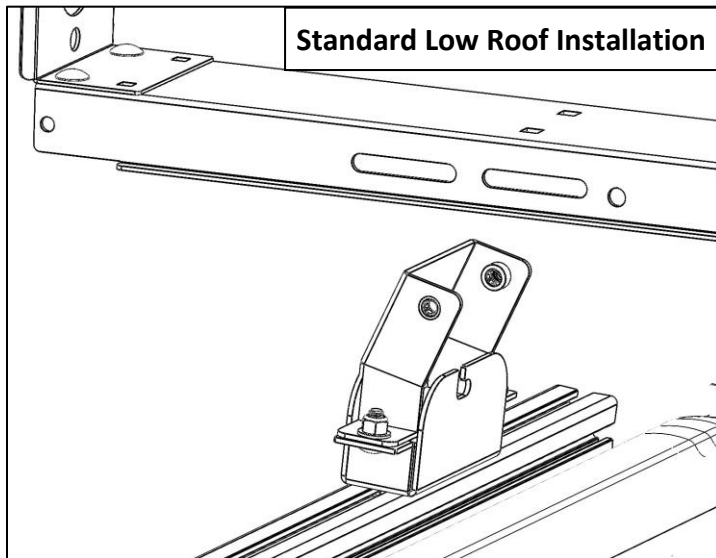
**NOTE:** Feet may be mounted inward or outward. Feet will face inwards on standard low roof installations and will face outwards on all high roof installations.

- Using two 5/16" x 3/4" carriage bolts, two 5/16" flat washers and two 5/16" lock nuts, mount feet to previously installed mount blocks.
- The carriage bolt can face upward or downward based on preference.
- Repeat for remaining three mount blocks.



## **Step 6 – Mount Rack to Feet**

- If the rack is being assembled on the vehicle, set rack on top of installed feet, and center rack to vehicle, side to side.
- If the rack will be assembled off the vehicle, measure the distance between the center of the left and right rails
- Mount the feet to the rack with the bottom of the mounting feet, at the distance measured and centered to the rack.
- Using two 3/8" x 3/4" hex head bolts, two 3/8" lock washers, and two 3/8" flat washers per foot, bolt the bows to the feet.
- Tighten.



**GO BACK AND ENSURE ALL HARDWARE IS TIGHT.**

**YOUR INSTALLATION IS NOW COMPLETE.**