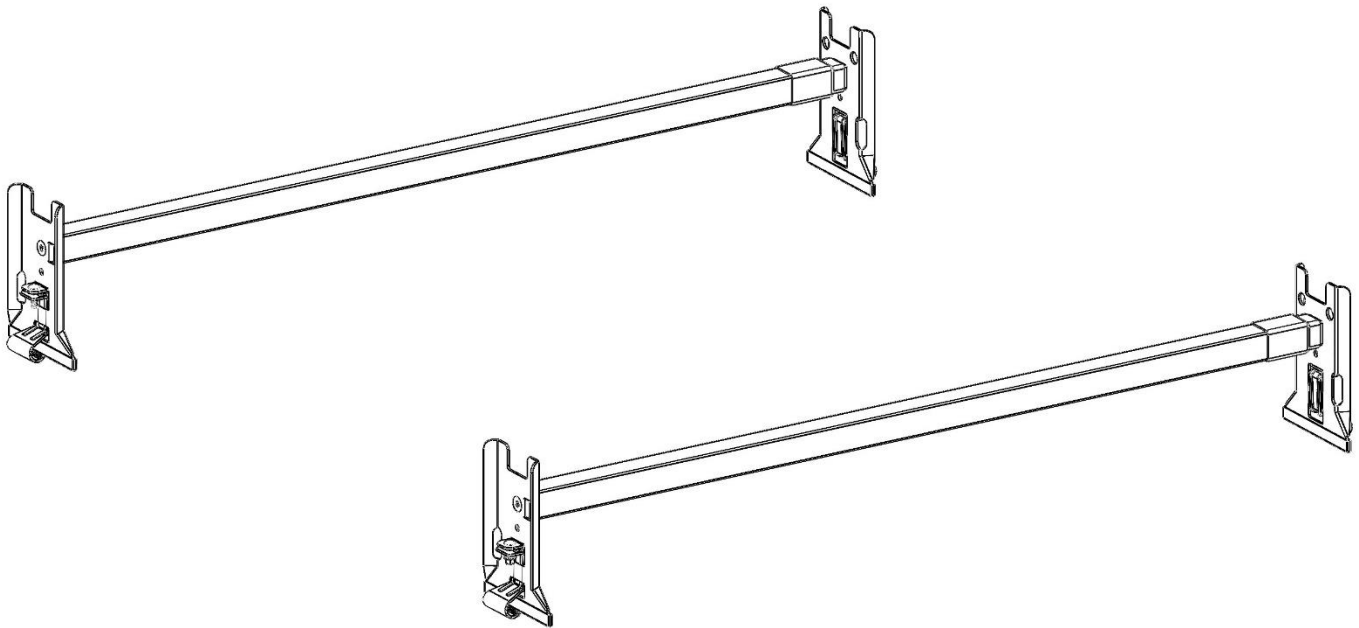


# Holman

---

## Instruction Guide 40823

---



---

Holman  
Rancho Cordova, CA 95742  
800-343-7486  
[InstallationSupport@Holman.com](mailto:InstallationSupport@Holman.com)

---

---

## PLEASE READ ALL INSTRUCTIONS AND WARNINGS PRIOR TO ASSEMBLING, INSTALLING, AND USING THIS PRODUCT.

---

### Warning



Always check for wires, fuel tanks and lines, brake lines and other important vehicle functionality items prior to drilling and installing all products.



**DO NOT EXCEED MANUFACTURERS WEIGHT CAPACITY FOR ROOF.**

---

### Table of Contents

Tools Needed .....	1
Before You Begin .....	1
Parts List.....	2
Hardware .....	2
Step 1 – Assemble Cross Bars.....	3
Step 2 – Prepare Mount Feet .....	3
Step 3 – Attach Mount Feet to Crossbars.....	4
Step 4 – Install Rack on Van Roof.....	4

---

### Tools Needed

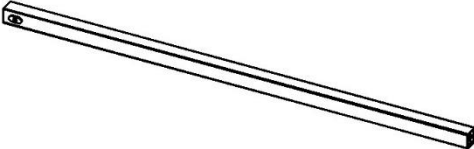
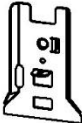
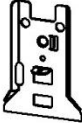


1/2" Socket and Wrench	5/16" Allen Hex Wrench
3/16" Allen Hex Wrench	

---


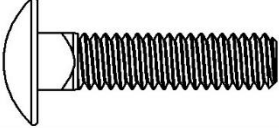
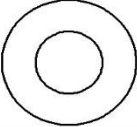

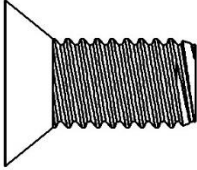
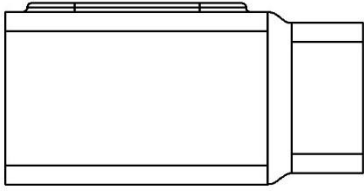
### Before You Begin

- Read all instructions prior to assembling or installing any Holman product.
- **Always locate your installation locations prior to performing any work.**

## Parts List

ITEM	HARDWARE TO SCALE	PART NUMBER	DESCRIPTION	QTY.
1		13-02005	CROSSBAR TUBE LONG	2
2		11-02029	DRIVER SIDE CROSSBAR FOOT ASSEMBLY	2
3		11-02023	PASSENGER SIDE CROSSBAR FOOT ASSEMBLY	2
4		11-02085	GM GUTTER CLAMP	4
5		13-02010	CROSSBAR TUBE SHORT	2
6		18-40823	HARDWARE KIT	1

## Hardware

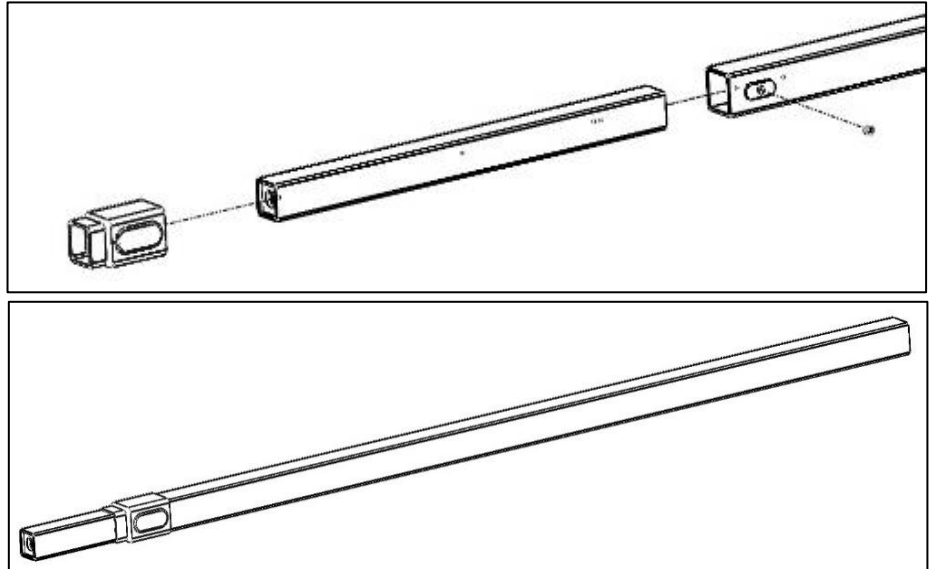
ITEM	HARDWARE TO SCALE	PART NUMBER	DESCRIPTION	QTY.
1		0135144	3/8"-16 x 3/8" SET SCREW	2
2		11137256	5/16-18 X 1-1/4" CARRIAGE BOLT	4
3		33080	5/16" WASHER	4
4		0169777	5/16"-18 NYLOC	4
5		94361	1/2" - 13 X 1" COUNTERSUNK SCREW	4
6			PVC SLEEVE	2

\*NOT TO SCALE

## DO NOT EXCEED MANUFACTURERS WEIGHT CAPACITY FOR ROOF!

### Step 1 – Assemble Cross Bars

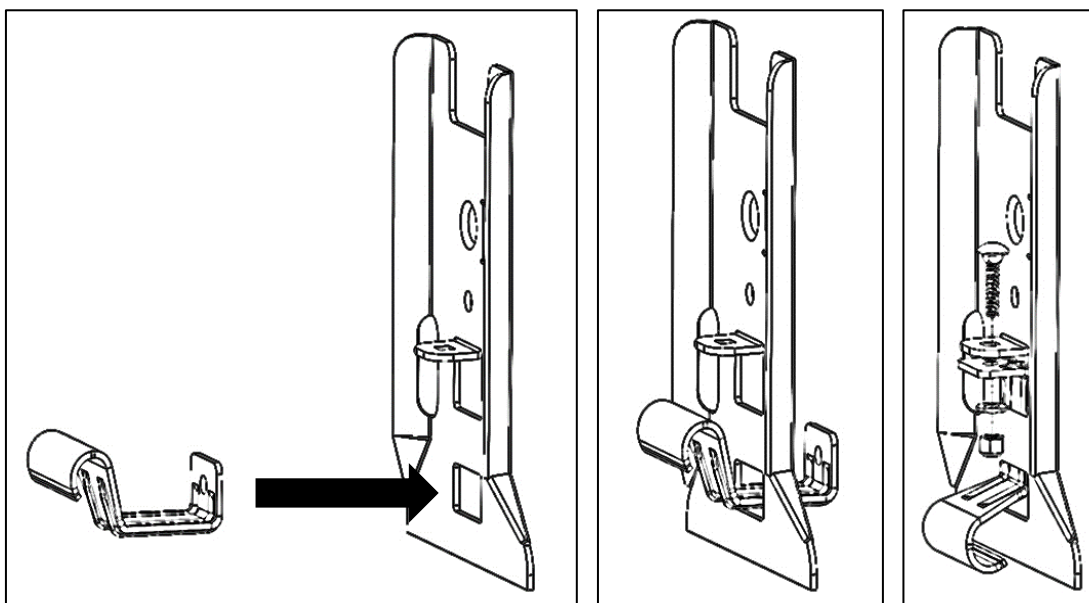
- Insert the short cross tube into the larger cross tube.
- Screw 3/8" x 3/8" set screw into the cross tube and snug tighten but allow for movement.
- Slide the PVC sleeve over the small cross tube until it covers the joint section and set screw.
- Once the rack is installed, this set screw will need tightened and the PVC sleeve repositioned.



### Step 2 – Prepare Mount Feet

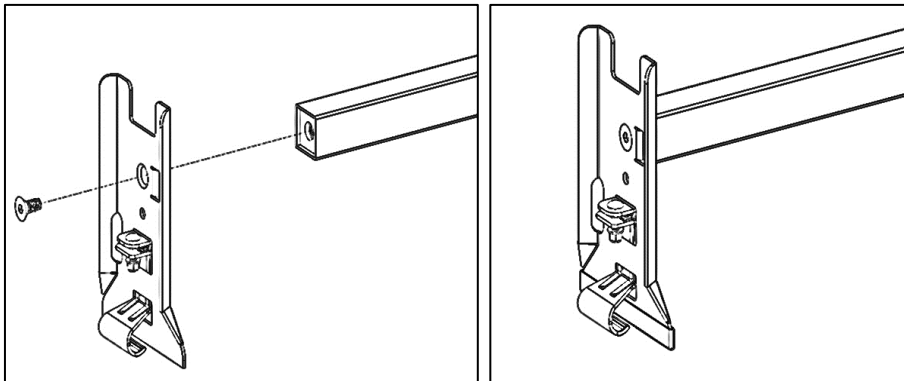
**Note:** This step can be completed before or after attaching mounting feet to the crossbars.

- Insert the gutter clamp into the feet. The clamp must be installed at an angle and rotated into place as shown below.
- LOOSELY attach each clamp to feet using a 5/16" x 1-1/4" carriage bolt, a 5/16" flat washer and a 5/16" lock nut as shown.
- **Do not tighten.**



## **Step 3 – Attach Mount Feet to Crossbars**

- Attach each foot to the crossbars using a 1/2" x 1" counter sunk screw.
- Snug tighten.

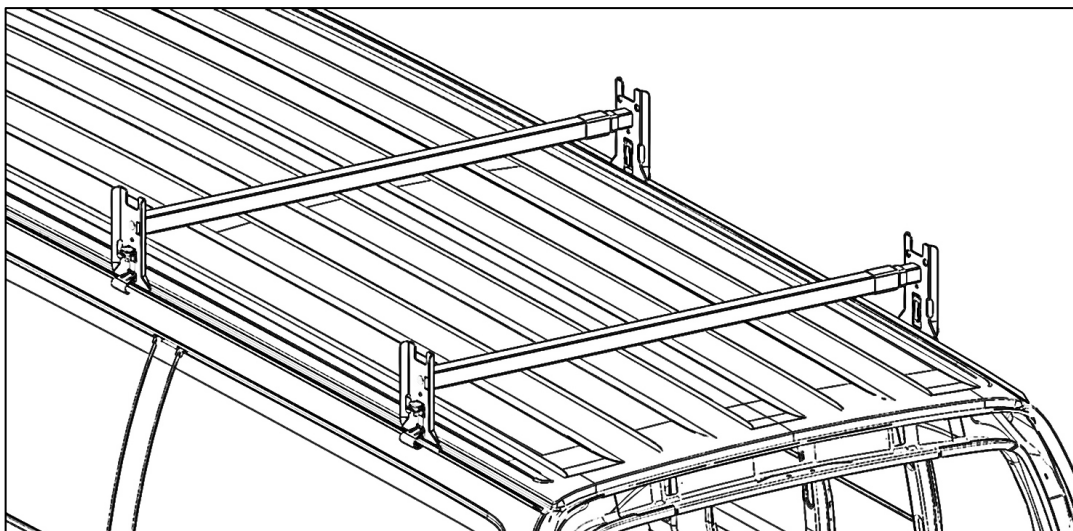


## **Step 4 – Install Rack on Van Roof**

- Place rack on top of van, adjusting width of the cross tubes as needed.

**NOTE: If installing 40824, be sure to leave enough space between front and rear bars for the middle crossbar.**

- Tighten the cross tube set screws and slide the PVC sleeve over the joint section and set screw once the rack is set to the desired width.
- Once the rack is placed in the desired location, tighten the 5/16" lock nut on each mount foot until rack is secure.
- Shake rack to test rack is fully secured. **It may be necessary to re-tighten mounting foot hardware.**



**GO BACK AND TIGHTEN ALL HARDWARE.**

**INSTALLATION IS COMPLETE.**