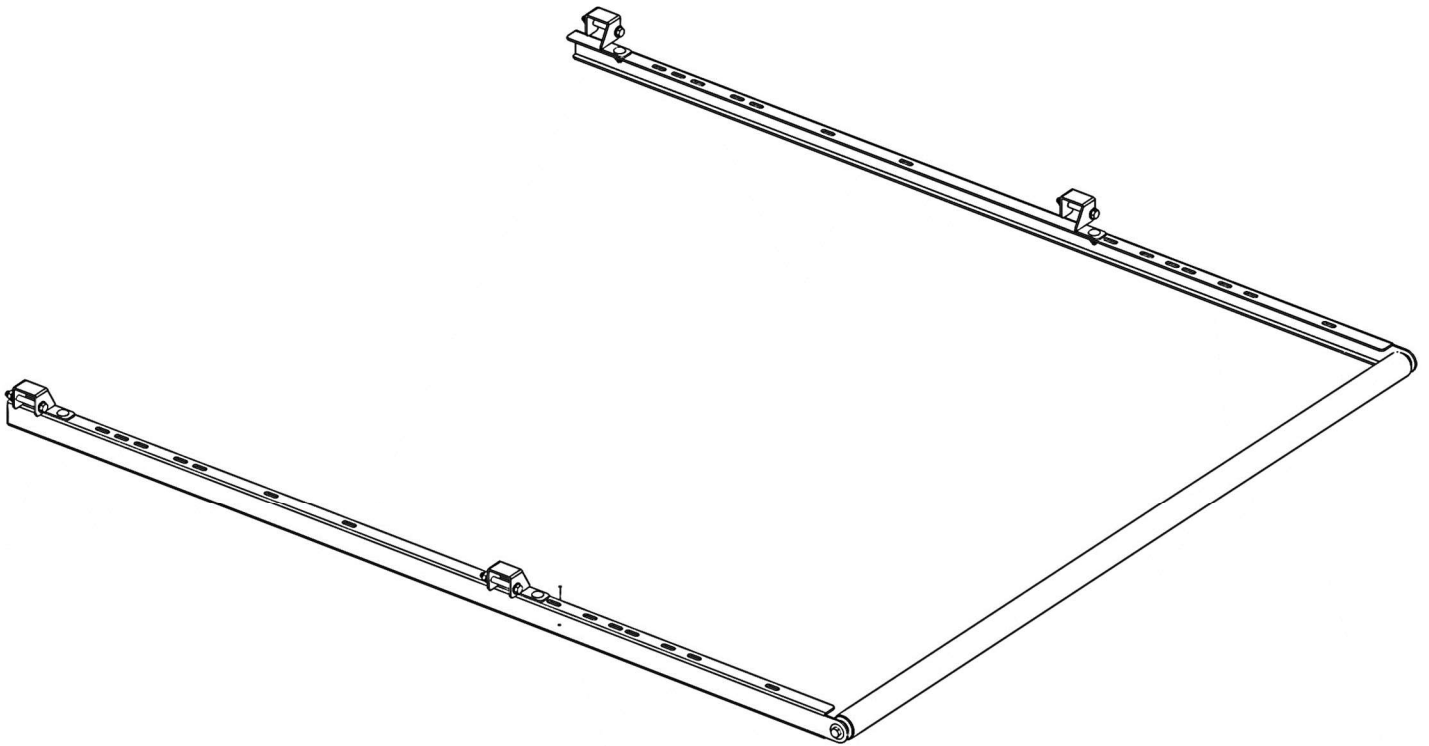


# Holman

---

## Instruction Guide 40831

---



---

Holman  
Rancho Cordova, CA 95742  
800-343-7486  
[InstallationSupport@holman.com](mailto:InstallationSupport@holman.com)

**PLEASE READ ALL INSTRUCTIONS AND WARNINGS PRIOR TO ASSEMBLING, INSTALLING, AND USING THIS PRODUCT.**

**Warning**



**DO NOT EXCEED MANUFACTURERS WEIGHT CAPACITY FOR ROOF.**

**Tools Needed**

1/2" Sockets and Wrench	13mm Socket and Wrench
1/2" Box Wrench	

**Table of Contents**

Parts List..... 2

Hardware ..... 2

Step 1 – Assemble Roller Bar..... 4

Step 2 – Install Spacers..... 5

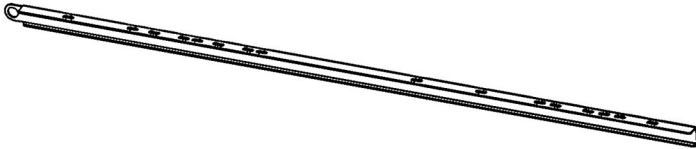
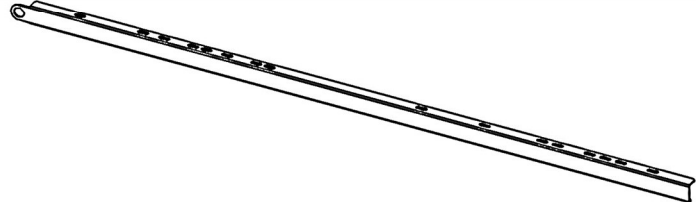
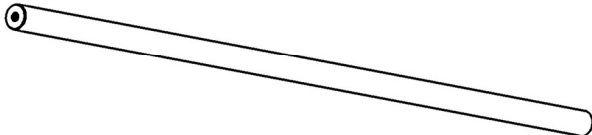
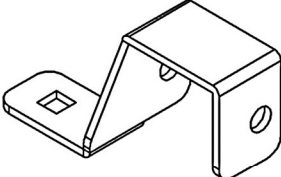
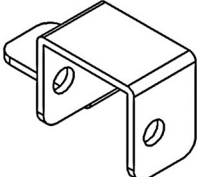
Step 3 – Install Crossbar Brackets ..... 6

Step 4 – Attach Roller Bar Assembly..... 6


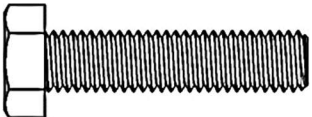
**Before You Begin**

- **Before installing roller bar attachment, crossbar rack and additional crossbar rack add-on must be already installed.**
- Read all instructions prior to installing any Holman product.
- Install your roller bars to the roof mounting locations prior to roller bar assembly.
- **Be sure to put sealant around all threads entering cargo area and between the rubber spacer and roof of vehicle to prevent water from leaking into cargo area.**
- **Please note that step two is only for the transit connect, for all other vans please progress to step 3.**

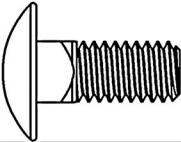

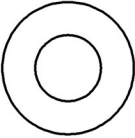
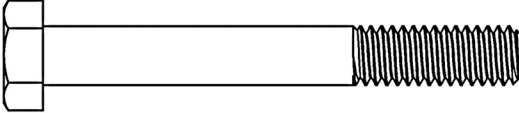
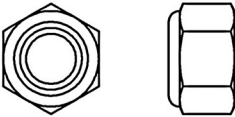
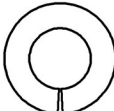
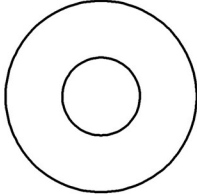
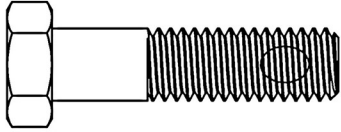

## Parts List

ITEM	ITEM	PART NUMBER	DESCRIPTION	QTY.
1		100898	ROLLER BAR SIDE RAIL DS	1
2		101033	ROLLER BAR SIDE RAIL PS	1
3		100896	ROLLERBAR	1
4		100966	40821 CROSSBAR BRACKETS LH DS	2
5		101034	40821 CROSSBAR BRACKET RH PS	2
6		18-40831	HARDWARE KIT	1

## Hardware

ITEM	HARDWARE TO SCALE	PART NUMBER	DESCRIPTION	QTY.
1		40821-10-004	3 HOLE RUBBER PAD	6
2		0158989	M8-1.25 X 35MM HEX HEAD BOLT	6

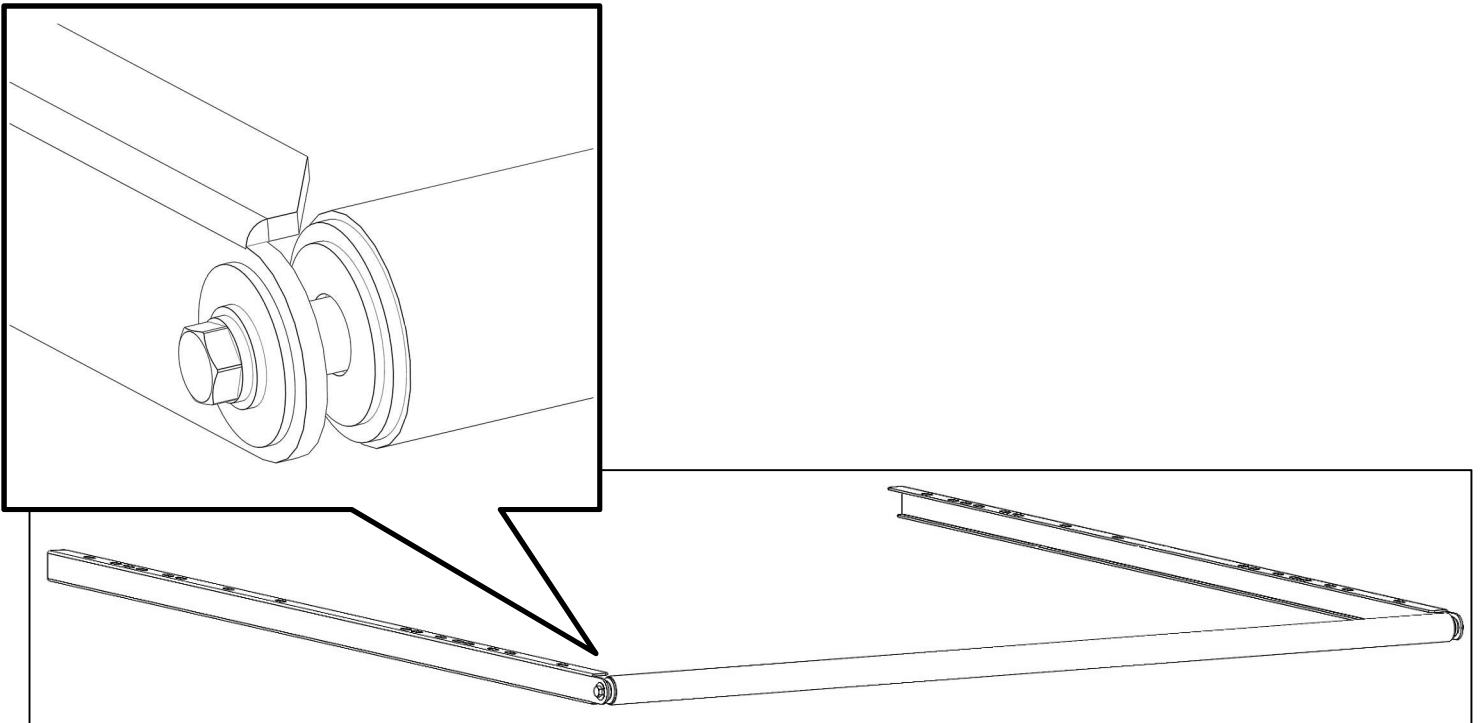
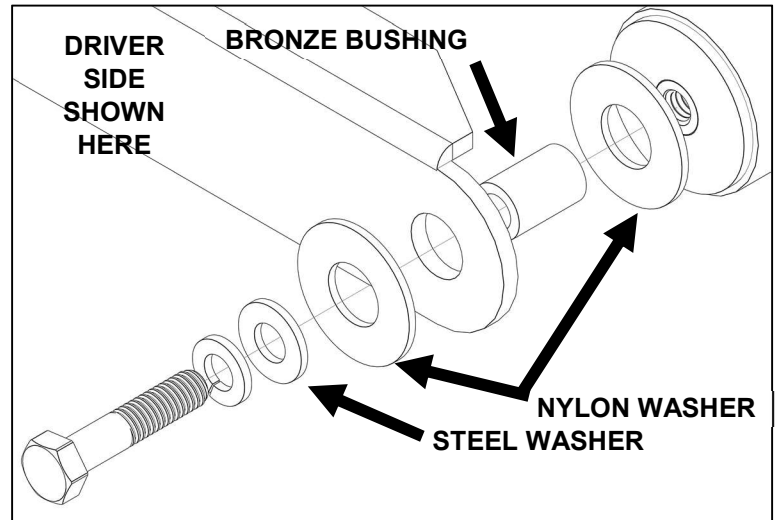
## Hardware (Continued)

ITEM	HARDWARE TO SCALE	PART NUMBER	DESCRIPTION	QTY.
3			312-18 X 3/4" CARRIAGE BOLT	4
4		11104019	5/16-18 FLANGED NYLOCK NUT	4
5			GRADE 9 STEEL WASHER	10
6		95064	5/16-18 X 2-3/4" HEX HEAD BOLT	4
7		70861	5/16"-18 NYLOC	4
8		1133620	5/16" LOCKING WASHER	2
9		90295A494	CHEMICAL- RESISTANT PVC PLASTIC WASHER FOR 1/2" SCREW SZ, 0.562" ID, 1.25" OD, 0.053"-0.071" THK	4
10		11241181	5/16"-18 X 1-1/2" HEX HEAD BOLT	2
11		6391K406	OIL-EMBEDDED BRONZE SLEEVE BEARING	2

## DO NOT EXCEED MANUFACTURERS WEIGHT CAPACITY FOR ROOF.

### Step 1 – Assemble Roller Bar

- Using one each of 5/16" x 1 1/2" hex head bolt, 5/16" washer, 5/16 Lock Washer, two .406" nylon washer, and 5/16" ID bronze bushing, fasten the roller bar to the driver-side side rail, as shown.
- **Be sure the flanged bushing is inserted into large hole in side rail in the orientation shown.**
- **Also be sure the oversized steel washer is outside of the nylon washer, with the nylon washer contacting the side rail.**
- **DO NOT OVERTIGHTEN.** Tighten so that the roller bar is still able spin easily.
- Repeat for opposite passenger-side side rail.

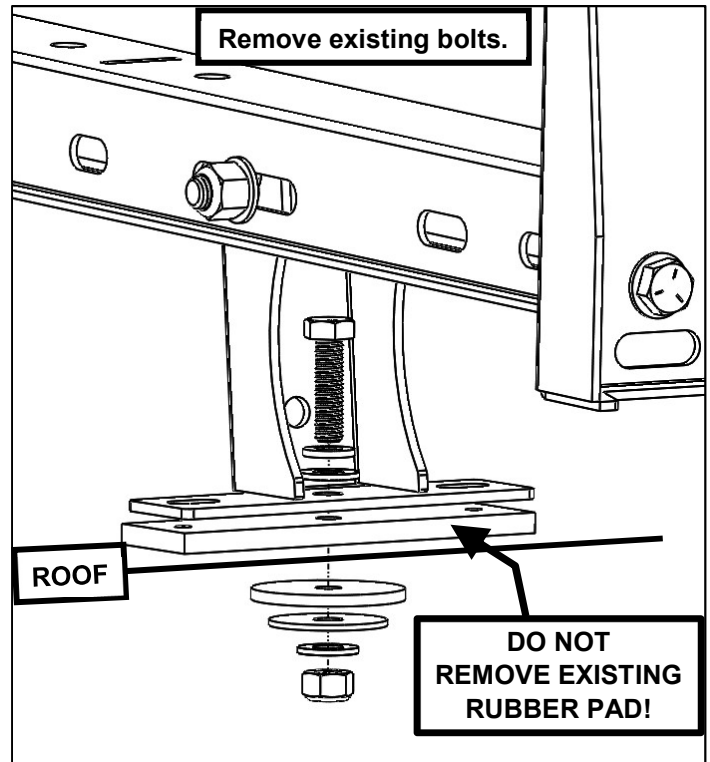


## Step 2 – Install Spacers

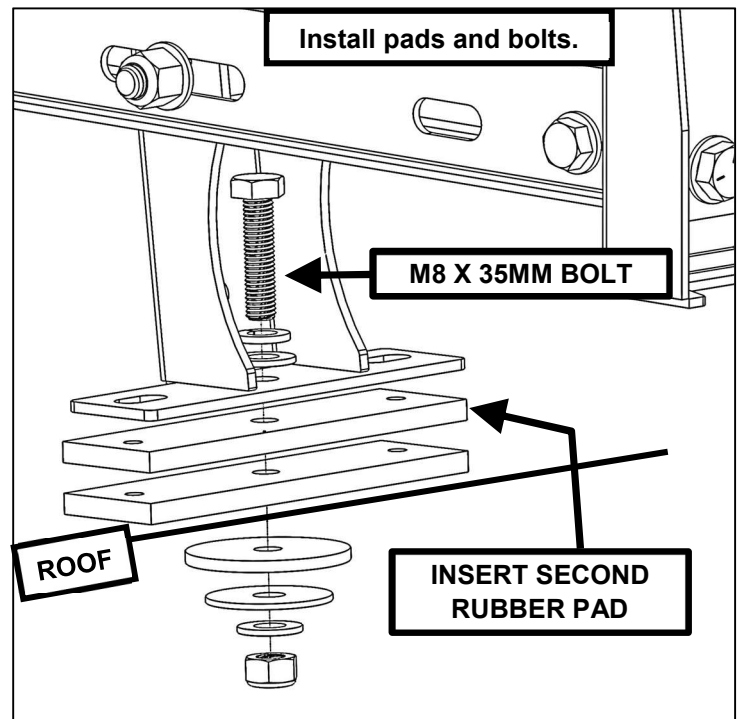
**THIS STEP IS ONLY REQUIRED FOR THE TRANSIT CONNECT, IF INSTALLING ON ANY OTHER VAN PROCEED TO STEP 3.**

**When installing onto a Transit Connect, spacers must be installed between feet and already installed spacers.**

- Remove the existing M8 bolts, washers and nut securing crossbar rack feet to roof.
- **DO NOT** remove the existing 3-hole rubber pad.

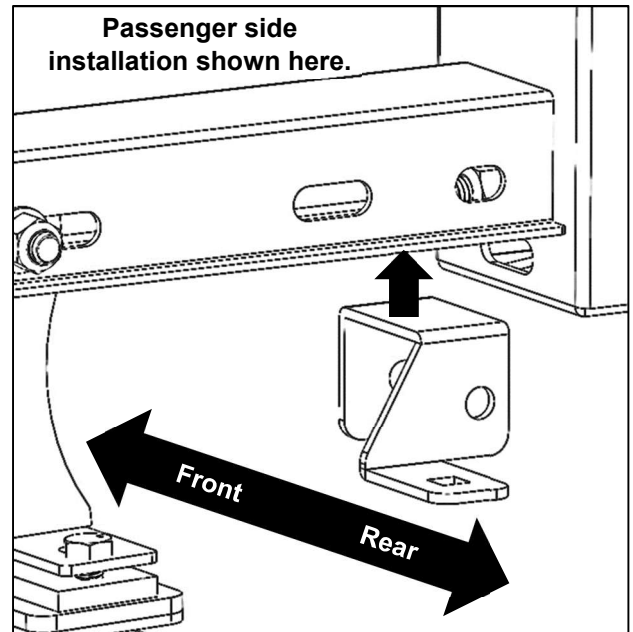
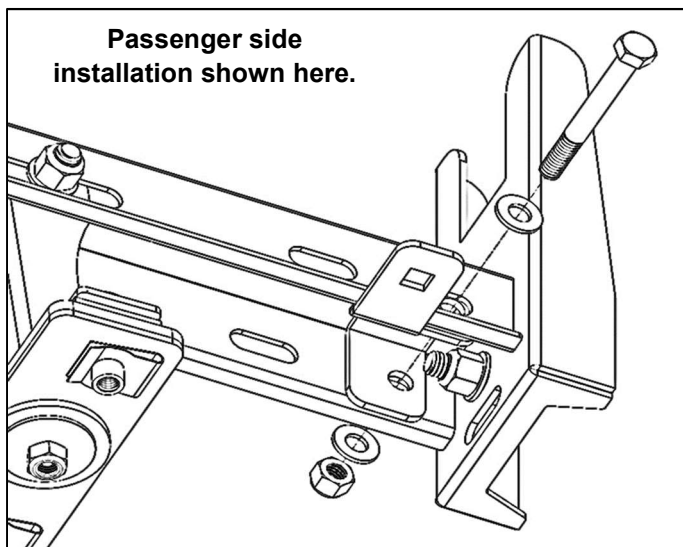


- Insert additional 3-hole rubber pad between each foot and existing 3-hole rubber pad.
- Using the M8 x 35mm bolts and previously removed hardware, reinstall rack by bolting through both rubber pads.
- **BE SURE THE RUBBER WASHERS ON THE INSIDE OF THE VEHICLE ARE IN PLACE WHEN REINSTALLING.**
- **WE RECOMMEND APPLYING MORE SEALANT IN THE M8 BOLT HOLE BEFORE REINSTALLING.**



## Step 3 – Install Crossbar Brackets

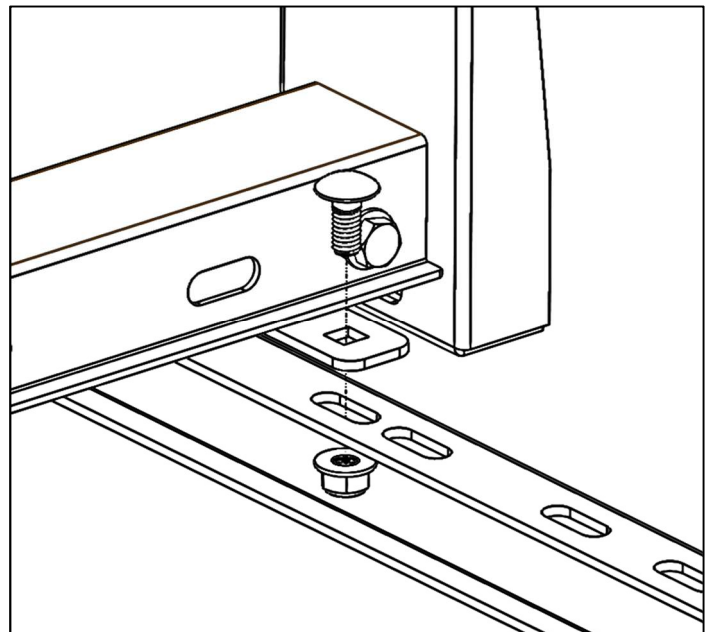
- Insert passenger side crossbar bracket into underside of crossbar, with holes aligned with last set of holes. **Be sure the tab is towards the rear of vehicle.**
- Using one 5/16" x 2-1/2" hex head bolt, two 5/16" washers and one 5/16" lock nut, **LOOSELY** bolt the crossbar bracket into the underside of the crossbar as shown below. **DO NOT tighten.**
- Repeat this step three more times until two brackets installed on driver side and two on the passenger side.

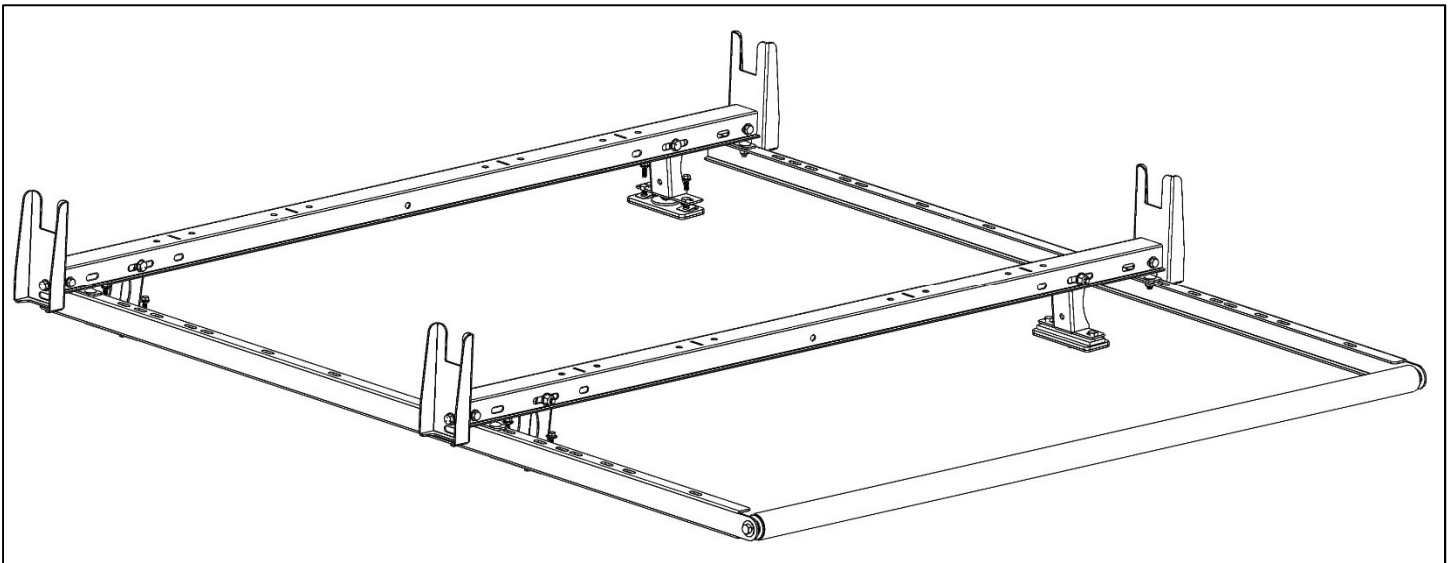
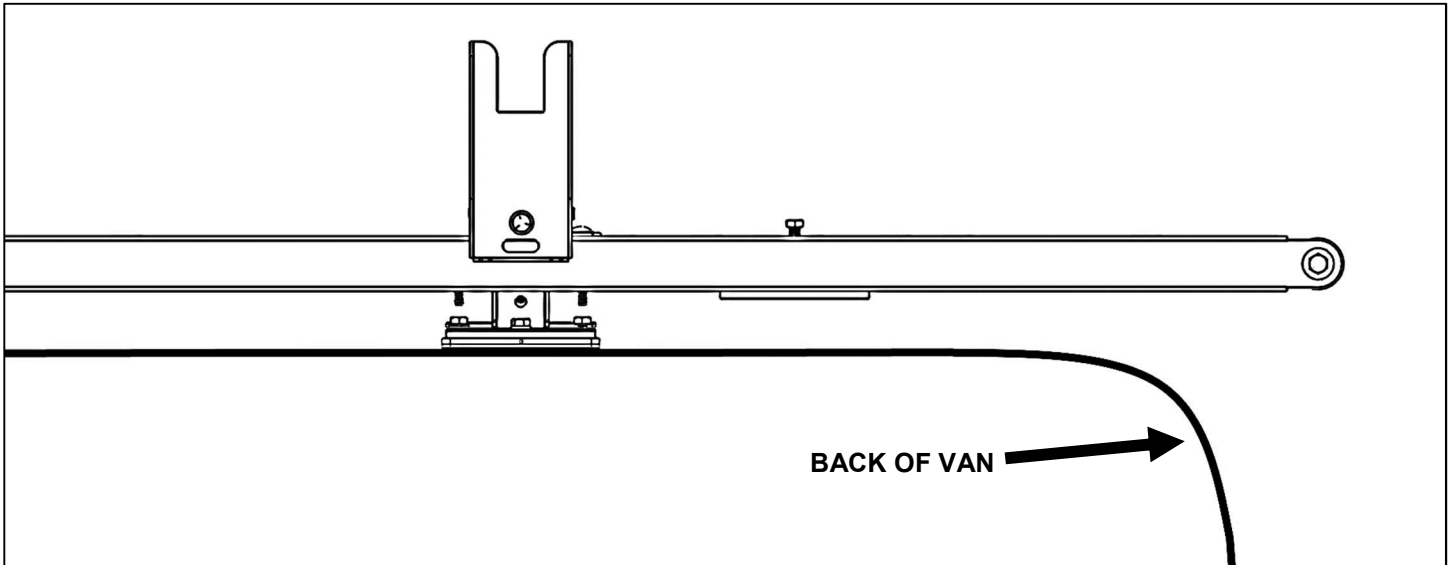


- **Be sure all crossbar bracket tabs are facing the same direction.**

## Step 4 – Attach Roller Bar Assembly

- Slide roller bar cross members under the cross bar rack until the roller bar hangs off the back of the van at the desired distance.
- Align square holes in crossbar bracket with slots in side rails.
- Using four 5/16" X 3/4" carriage bolts and four 5/16" flanged hex nuts, **LOOSELY** bolt the roller bar cross members to the mounting brackets.
- **Tighten hardware only after all hardware has been installed.**





**GO BACK AND ENSURE ALL HARDWARE IS TIGHTENED.**

**ASSEMBLY AND INSTALLATION ARE COMPLETE.**