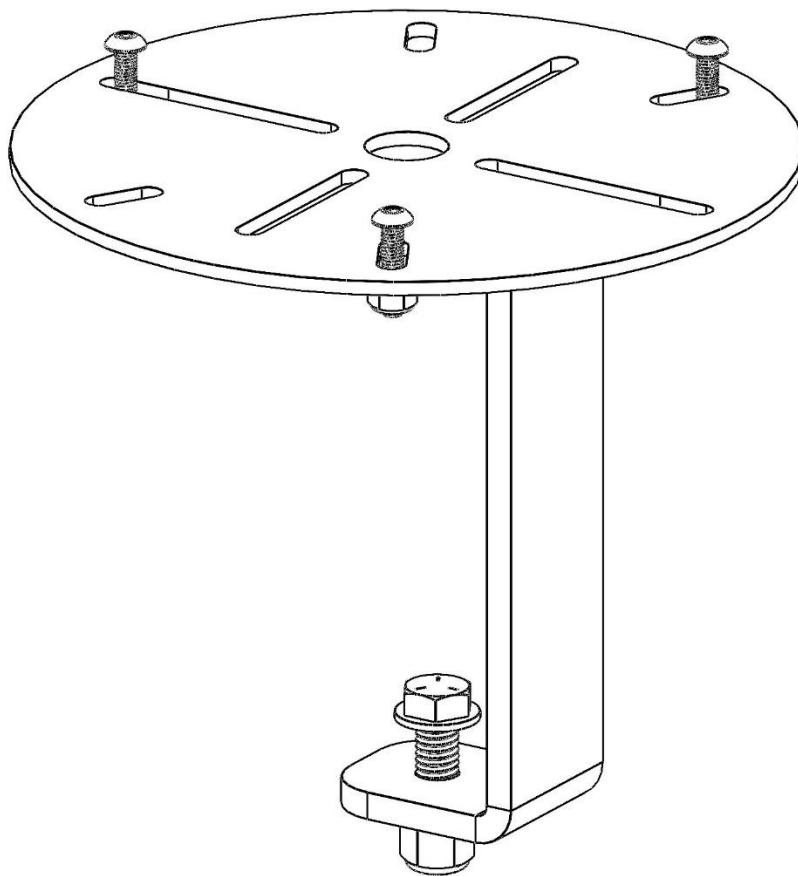


Holman

Instruction Guide 40893



Holman
Rancho Cordova, CA 95742
800-343-7486
InstallationSupport@Holman.com

PLEASE READ ALL INSTRUCTIONS AND WARNINGS PRIOR TO ASSEMBLING, INSTALLING, AND USING THIS PRODUCT.

Warning



Always check for wires, fuel tanks and lines, brake lines and other important vehicle functionality items prior to drilling and installing all products.

Table of Contents

| | |
|------------------------------------|---|
| Tools Needed | 1 |
| Before You Begin | 1 |
| Parts List | 2 |
| Hardware | 2 |
| Step 1 – Install Light Mount | 3 |

Tools Needed

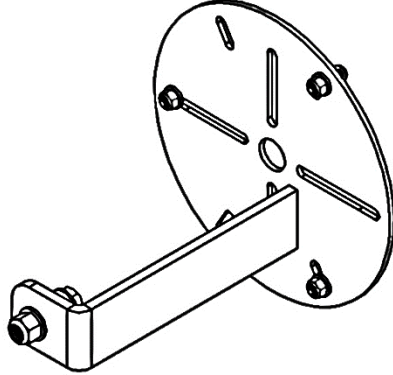
| | |
|-------------------------|--|
| 9/16" Socket and Wrench | |
|-------------------------|--|

Before You Begin

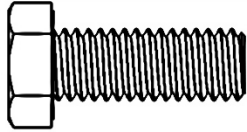
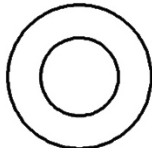




- Read all instructions prior to assembling or installing any Holman product.
- **Always locate your installation locations prior to performing any work.**

NOTE: This light mount is compatible with multiple different racks and there for the rack cross bar shown in the instructions may vary from some applications.

Parts List

| NO. | ITEM | PART NUMBER | DESCRIPTION | QTY. |
|-----|---|-------------|--------------------|------|
| 1 |  | 101273 | 40893 WELDMENT | 1 |
| 2 | | 18-00049 | 40893 HARDWARE KIT | 1 |

Hardware

| ITEM | HARDWARE TO SCALE | PART NUMBER | DESCRIPTION | QTY. |
|------|---|-------------|------------------------------------|------|
| 1 |  | 70105 | 3/8-16 X 1" HEX HEAD BOLT | 1 |
| 2 |  | 0159723 | 3/8" WASHER | 2 |
| 3 |  | 0169791 | 3/8"-16 LOCK NUT | 1 |
| 4 |  | 84043 | 10-32 X 7/8" BUTTON HEAD CAP SCREW | 3 |
| 5 |  | 33074 | #10 FLAT WASHER | 3 |
| 6 |  | 37015 | 10-32 NYLOC NUT | 3 |

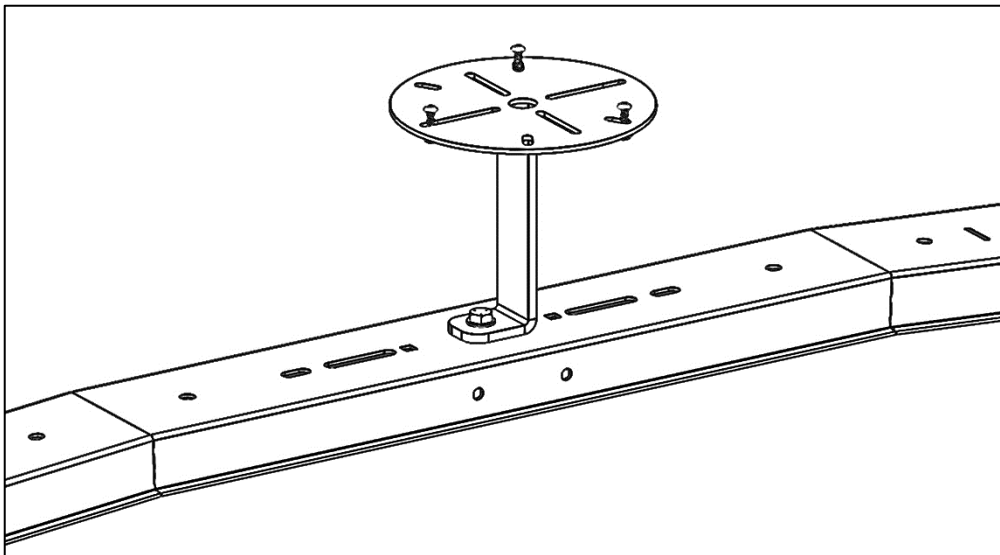
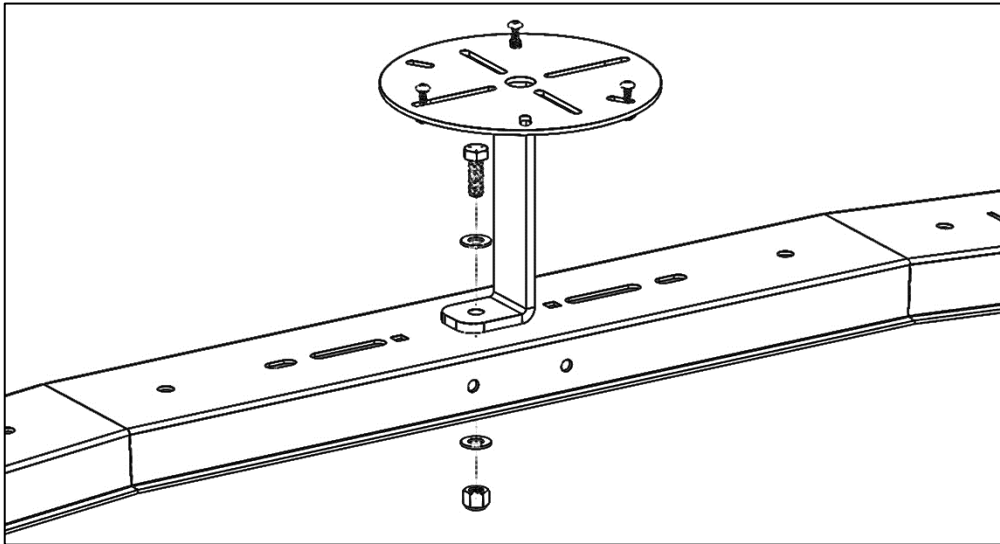
DO NOT EXCEED MANUFACTURERS WEIGHT CAPACITY FOR ROOF!

Step 1 – Install Light Mount

- Light Mount can be mounted in any of the slots on top of the flat section of the cross bow, front or rear depending on preference.

NOTE: if 6" lockable conduit carrier is used, light mount must be mounted with flange toward center using outside slot. This will allow for clearance for drop down and maintain clearance for 6" tube.

- Mount light mount to cross bow using one 3/8" x 1" hex bolt, two 3/8" flat washers, and one 3/8" lock nut as shown below.



GO BACK AND TIGHTEN ALL HARDWARE.

INSTALLATION IS COMPLETE.