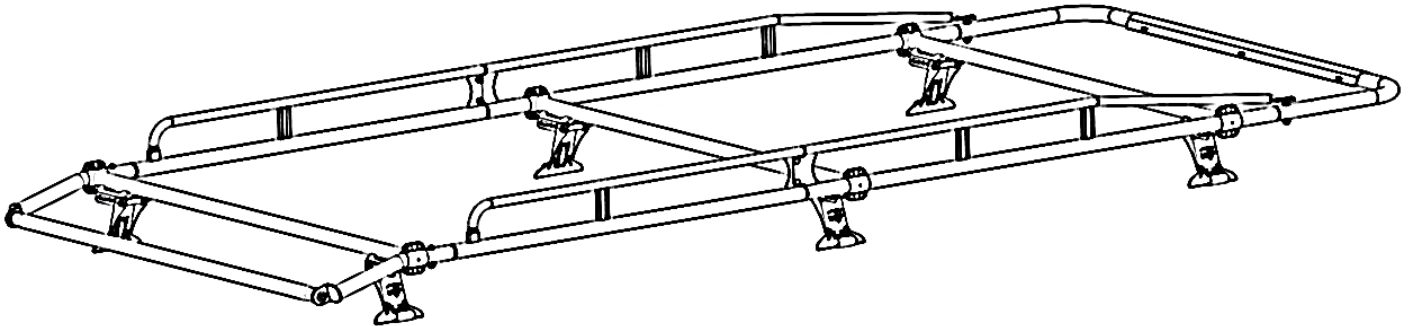


# Holman

---

## Instruction Guide 4089C

---



---

Holman  
Rancho Cordova, CA 95742  
800-343-7486  
[InstallationSupport@Holman.com](mailto:InstallationSupport@Holman.com)

---

---

## PLEASE READ ALL INSTRUCTIONS AND WARNINGS PRIOR TO ASSEMBLING, INSTALLING, AND USING THIS PRODUCT.

---

### Warning



Always check for wires, fuel tanks and lines, brake lines and other important vehicle functionality items prior to drilling and installing all products.



**DO NOT EXCEED MANUFACTURERS WEIGHT CAPACITY FOR ROOF.**



Secure all payloads properly for safe transportation.

---

### Table of Contents

Tools Needed .....	1
Before You Begin .....	1
Parts List.....	2
Hardware .....	2
Step 1 – Find Mount Locations on Roof of Van .....	3
Step 2 – Attach Feet to Rack.....	4
Step 3 – Install Rack with Feet .....	5

---

### Tools Needed

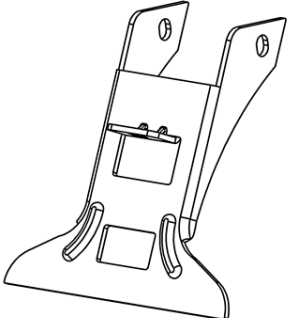

1/2" Socket and Wrench	9/16" Socket and Wrench
Tape Measure	

---

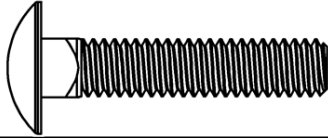
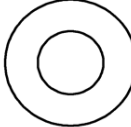

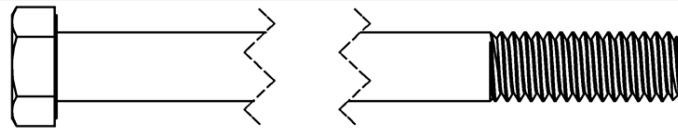
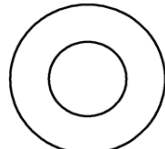


### Before You Begin

- Read all instructions prior to assembling or installing any Holman product.
- Follow assembly instructions found with the rack to assemble and install rack.
- The 3/8" hardware will be used when installing the rack to the feet.

## Parts List

ITEM NO.		PART NUMBER	DESCRIPTION	QTY.
A		11-00389-R2	BRACKET, GUTTER MOUNT	6
B		11-02085-RIB-R2	BRACKET, CLAMP, GUTTER MOUNT	6
		18-4089C	HARDWARE KIT	1

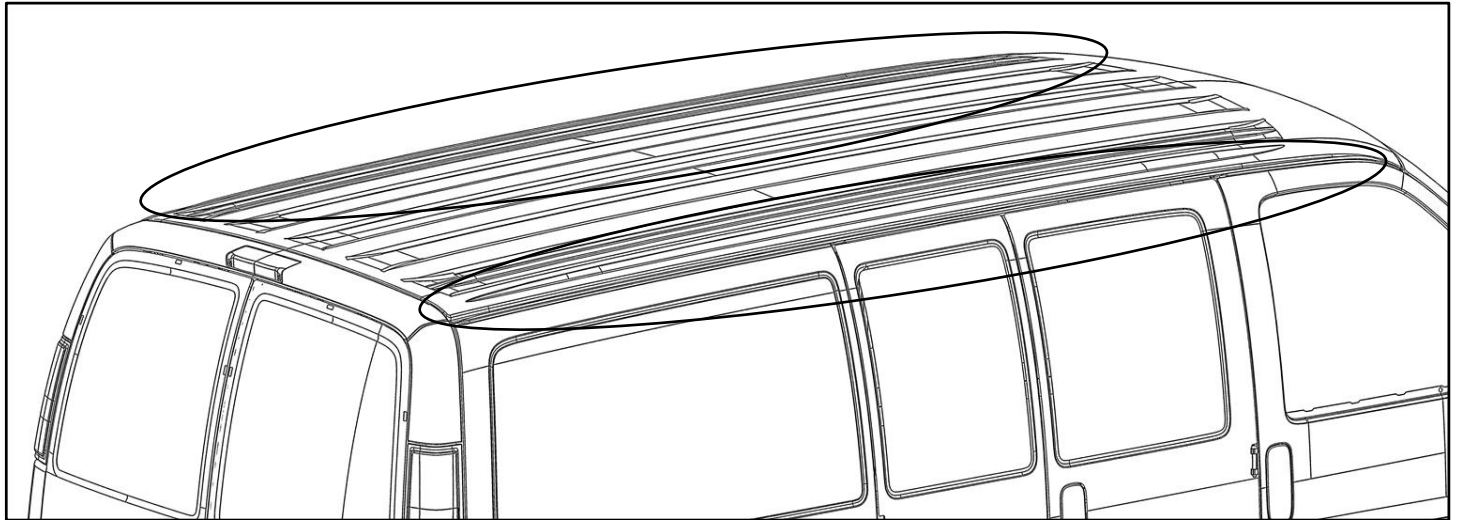
## Hardware

ITEM NO.	TO SCALE	PART NUMBER	DESCRIPTION	QTY.
1		92356A587	5/16"-18 X 1-1/2 CARRIAGE	6
2		90126A030	5/16" WASHER	6
3		95615A160	5/16"-18, NYLOC	6
4		91247A640	3/8-16 X 4" HEX HEAD	6
5		90126A031	3/8" WASHER	12
6		95615A140	3/8-16 NYLOC	6
7		8009A-00-25-R2	SPACER, 3/8" ID, 1/2" OD, 2.5" LG,	6

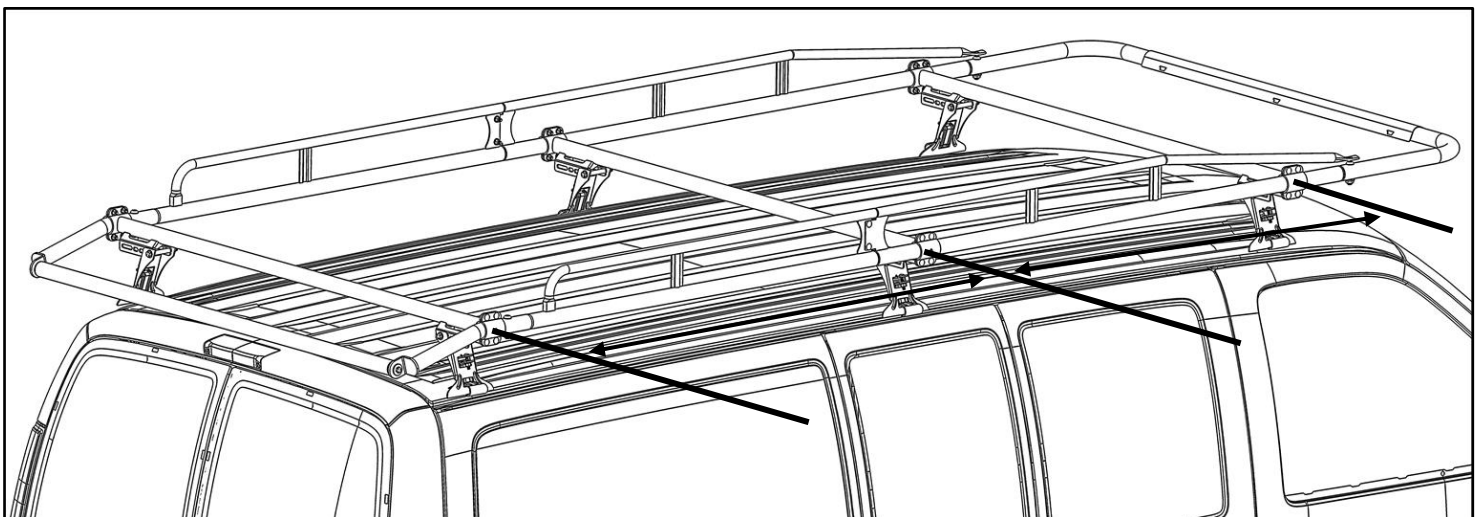
## **DO NOT EXCEED MANUFACTURERS WEIGHT CAPACITY FOR ROOF!**

### **Step 1 – Find Mount Locations on Roof of Van**

- Locate the mounting locations on each side of van. There will be a rain gutter along the edge of the roof.

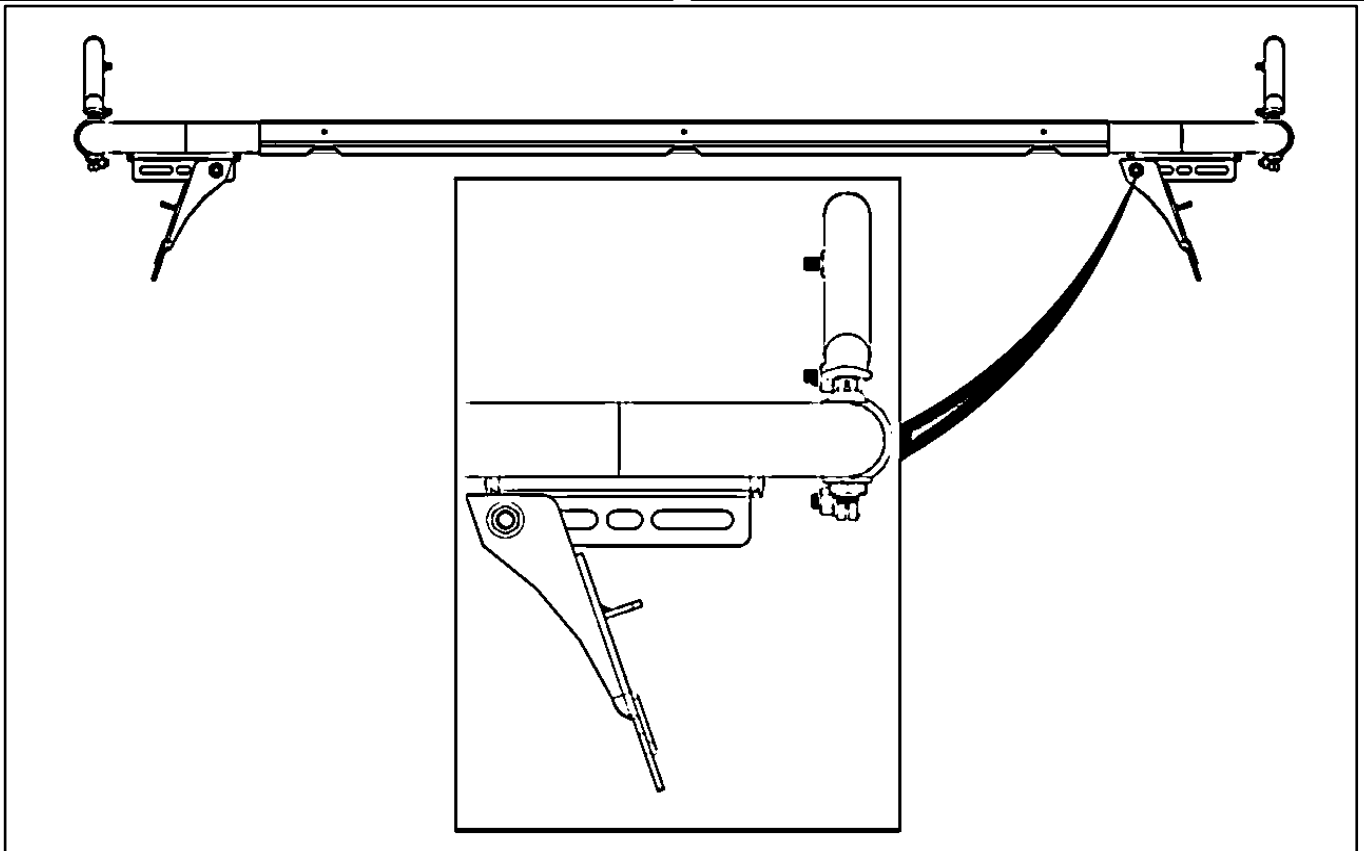
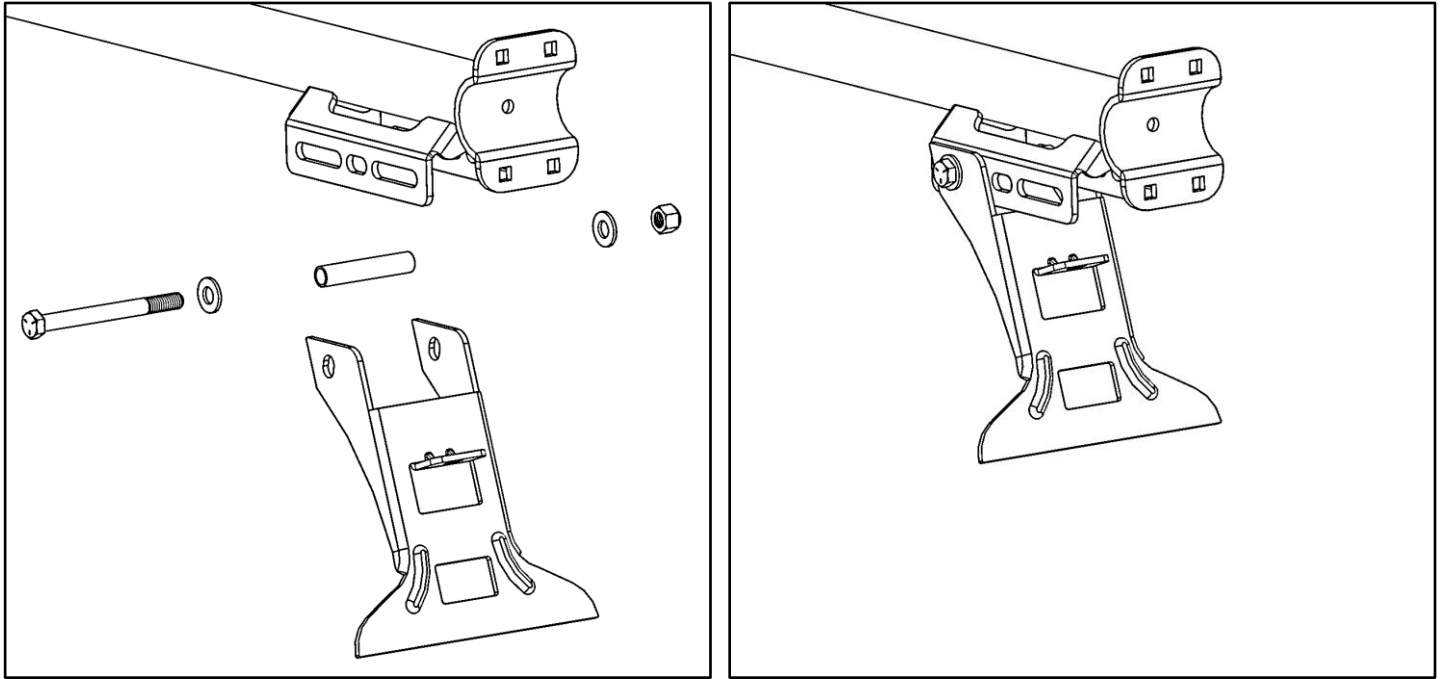


- Determine distance between each cross bar that is to be used to attach to roof. See picture below for reference.
- Take this measurement into consideration when assembling the rack.



## **Step 2 – Attach Feet to Rack**

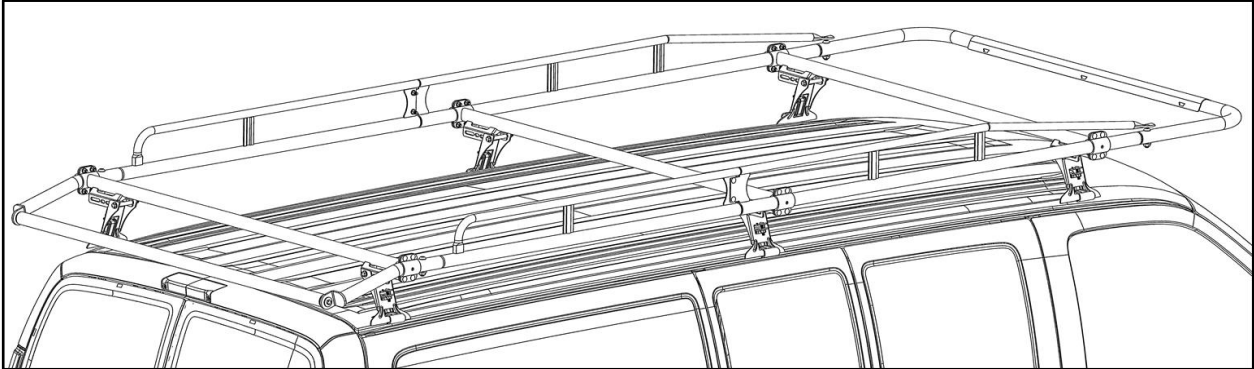
- Use the cross member from the rack box and attach foot in the orientation shown using 3/8" x 4" hex head bolt, two 3/8" flat washers, 3/8" spacer and a 3/8" lock nut.
- Attach foot through the inner most slot on the cross member as shown.
- Repeat for a total of 6 times.



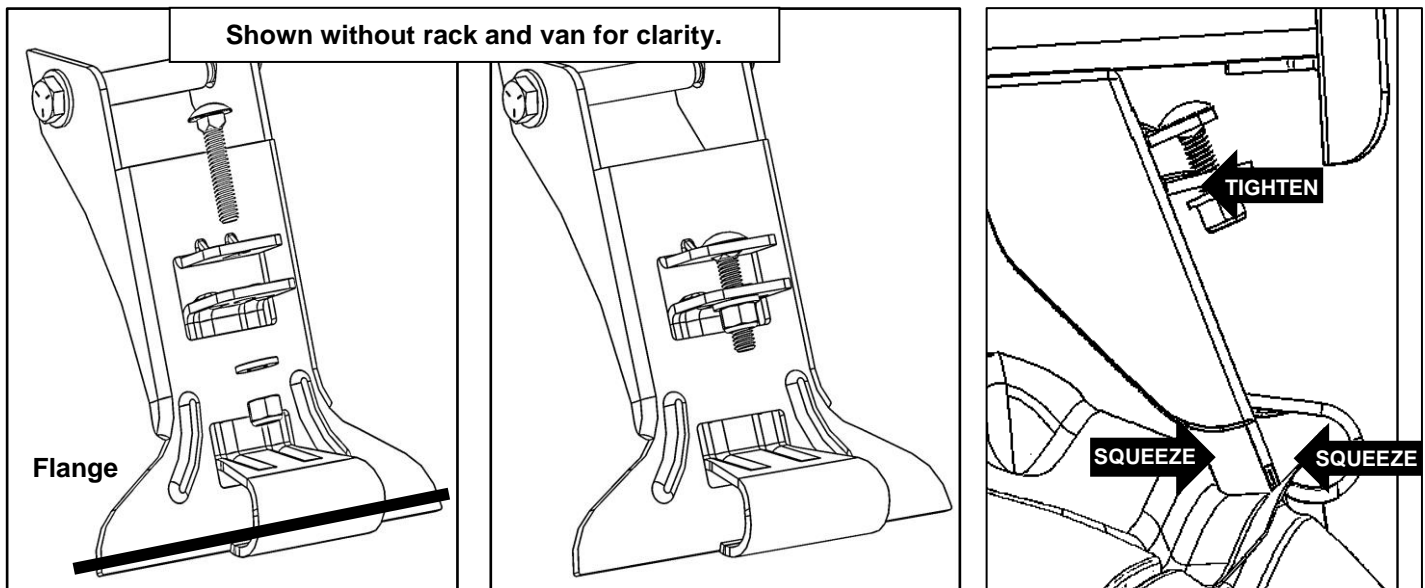
**Shown without the rest of the rack for clarity.**

## Step 3 – Install Rack with Feet

- Place rack onto roof of van. Be sure the feet installed in previous step goes onto the rain gutter flange.



- Adjust and center rack to your liking.
- Slide foot mount bracket through the foot. Pinch the rain gutter in between the mount bracket and the foot. Bolt into place using 5/16" x 1-1/2" carriage bolt, 5/16" flat washer and 5/16" lock nut as shown.
- Repeat for a total of 6 times.
- Once rack is in desired location on roof of van, **TIGHTEN** all bolts.



**GO BACK AND TIGHTEN ALL HARDWARE.**

**INSTALLATION IS COMPLETE.**