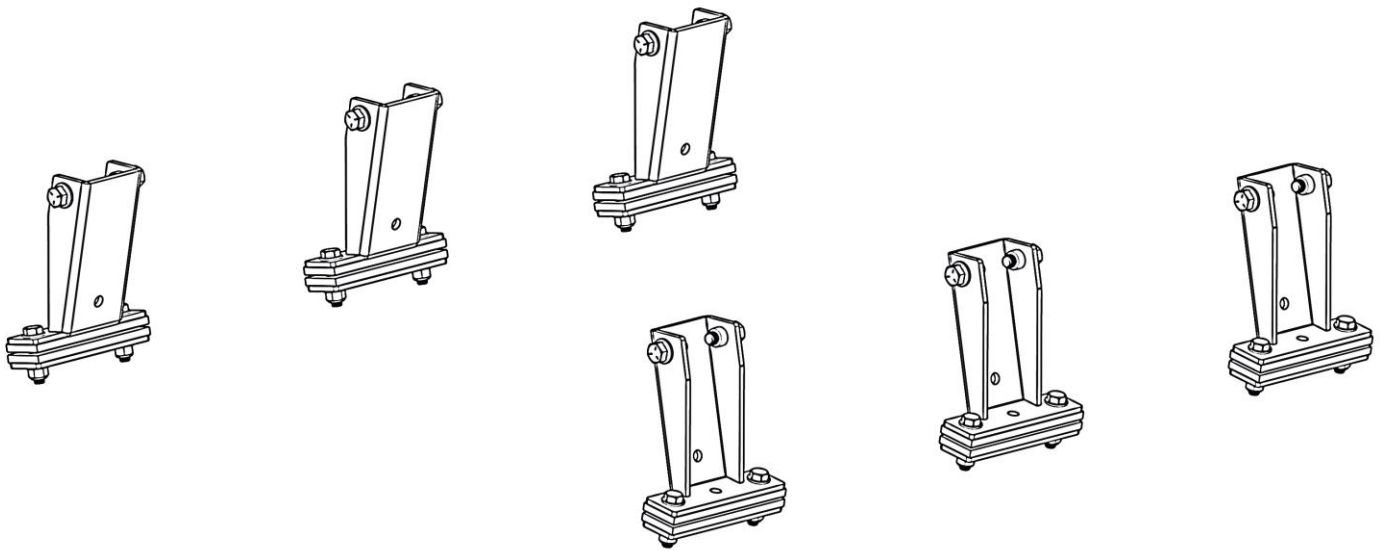


Holman

Instruction Guide 4089K



Holman
Rancho Cordova, CA 95742
800-343-7486
InstallationSupport@Holman.com

PLEASE READ ALL INSTRUCTIONS AND WARNINGS PRIOR TO ASSEMBLING, INSTALLING, AND USING THIS PRODUCT.

Warning



Always check for wires, fuel tanks and lines, brake lines and other important vehicle functionality items prior to drilling and installing all products.



DO NOT EXCEED MANUFACTURERS WEIGHT CAPACITY FOR ROOF.



Secure all payloads properly for safe transportation.

Table of Contents

Tools Needed	1
Before You Begin	1
Parts List	2
Hardware	2
Step 1 – Distance Between Feet	3
Step 2 – Mount Feet to Bow	3
Step 3 – Install Rack	4

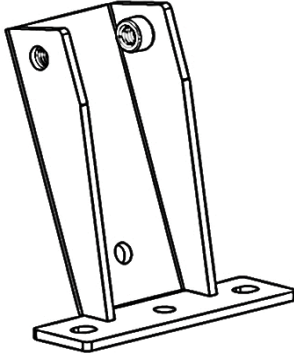

Tools Needed

1/2" Socket and Wrench	9/16" Socket and Wrench
11/32" Drill Bit	Drill

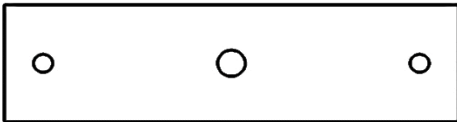
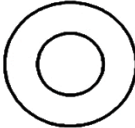

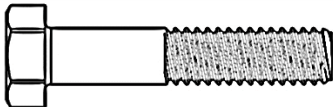
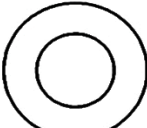
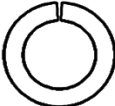

Before You Begin

- Read all instructions prior to assembling or installing any Holman product.
- Be sure to put sealant around all hardware entering cargo area and between the rubber spacer and roof of vehicle to prevent water from leaking into cargo area.
- **DO NOT EXCEED MANUFACTURERS WEIGHT CAPACITY FOR ROOF.**

Parts List

NO.	ITEM	PART NUMBER	DESCRIPTION	QTY.
1		100554	FOOT	6
2		100555	BACKING PLATE	6
3		18-4089K	HARDWARE KIT	1

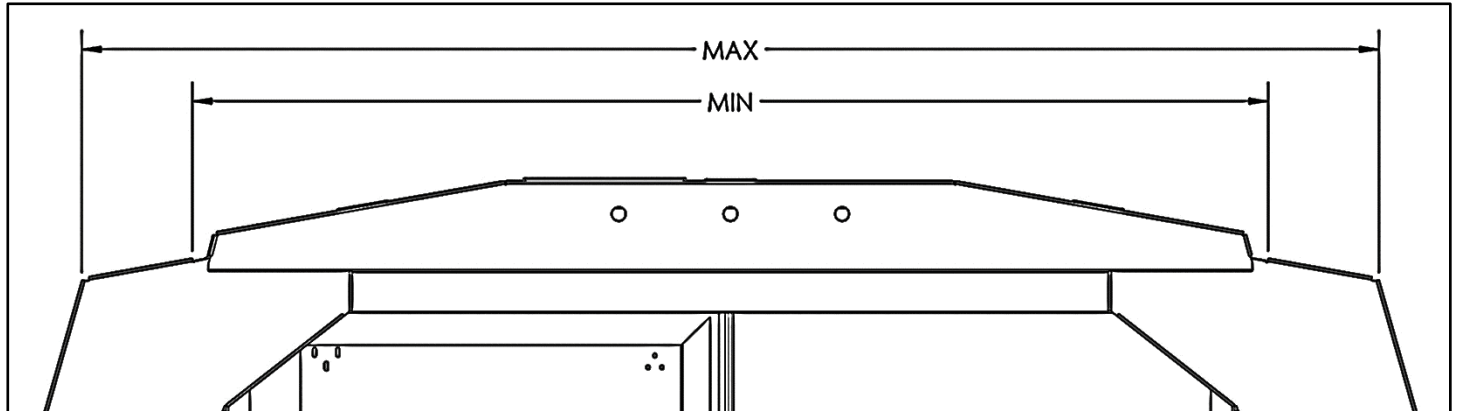
Hardware

ITEM NO.	HARDWARE TO SCALE	PART NO.	DESCRIPTION	QTY.
1		40821-10-004-R1	3 Hole Rubber Pad SCALE 1:2	12
2		33080	5/16" WASHER	24
3		0169777	5/16"-18 LOCK NUT	12
4		11241181	5/16"-18 X 1-1/2" HEX HEAD BOLT	12
5		11541089	3/8" WASHER	12
6		0123496	3/8" SPLIT LOCK WASHER	12
7		70105	3/8-16 X 1" HEX HEAD BOLT	12
8		BH-821	Self Leveling Adhesive Sealant	1

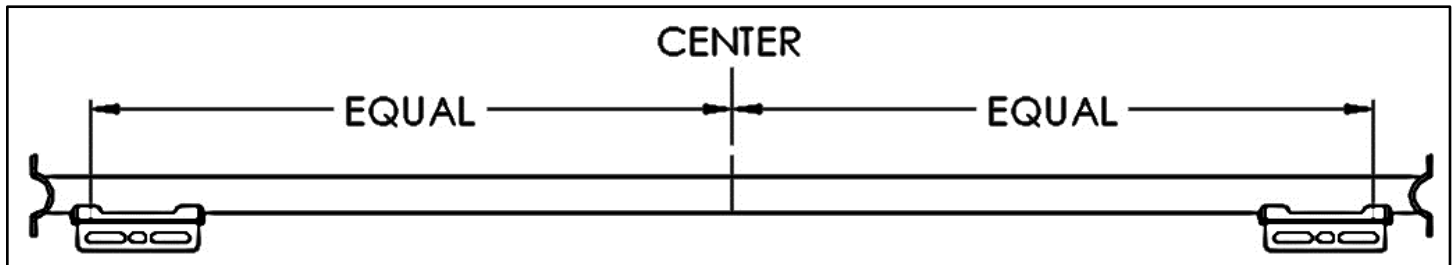
DO NOT EXCEED MANUFACTURERS WEIGHT CAPACITY FOR ROOF!

Step 1 – Distance Between Feet

- Measure the desired mounting locations on the covered service body.

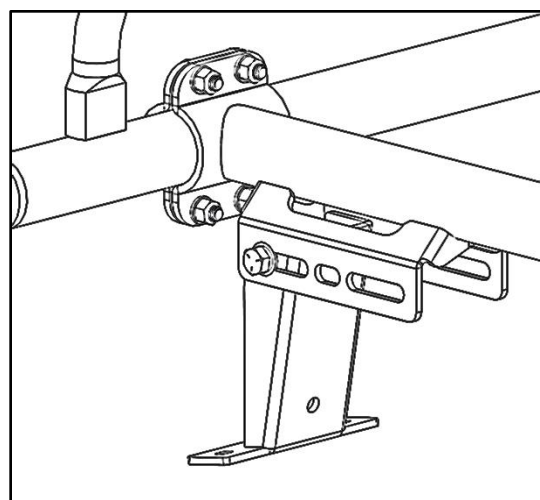
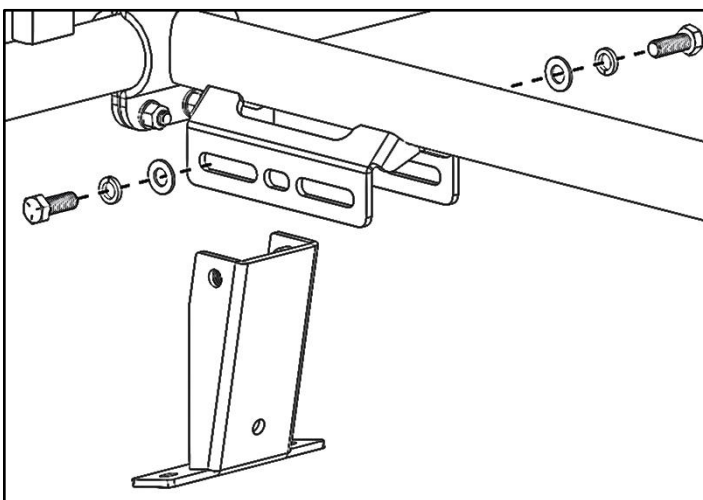


- Determine the best mounting width. Locate the corresponding slots on the ladder rack bow. **Be sure the same slot is used at both ends of the ladder rack bow.**



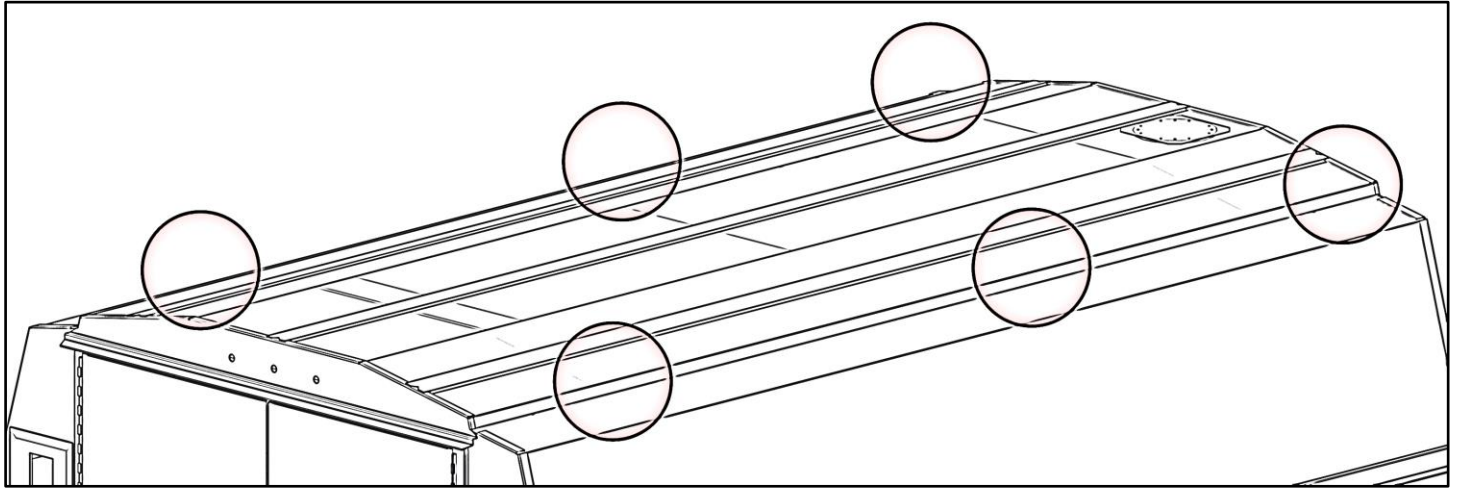
Step 2 – Mount Feet to Bow

- Using the correct slots that were determined in the previous step, place the foot on the underside of the bow in the orientation shown and attach using 3/8" x 1" hex head bolts, 3/8" split lock washers and 3/8" flat washers. **Be sure the foot is in the correct orientation so that the angle on the bottom of the foot fits the angle of the covered service body.**
- Repeat at all four locations.
- Snug tighten, but allow movement.

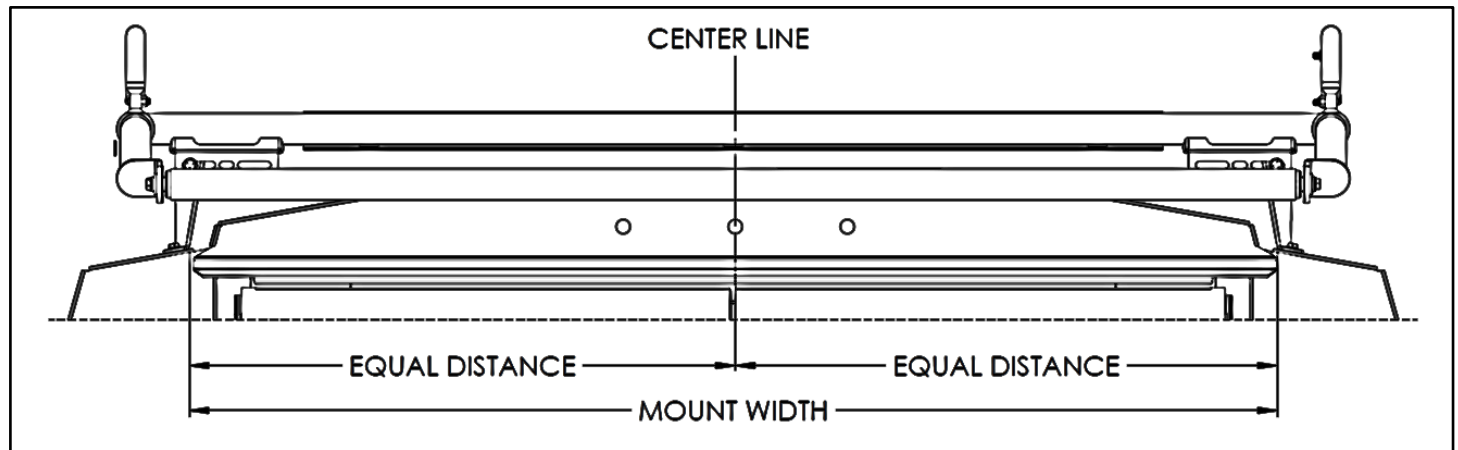


Step 3 – Install Rack

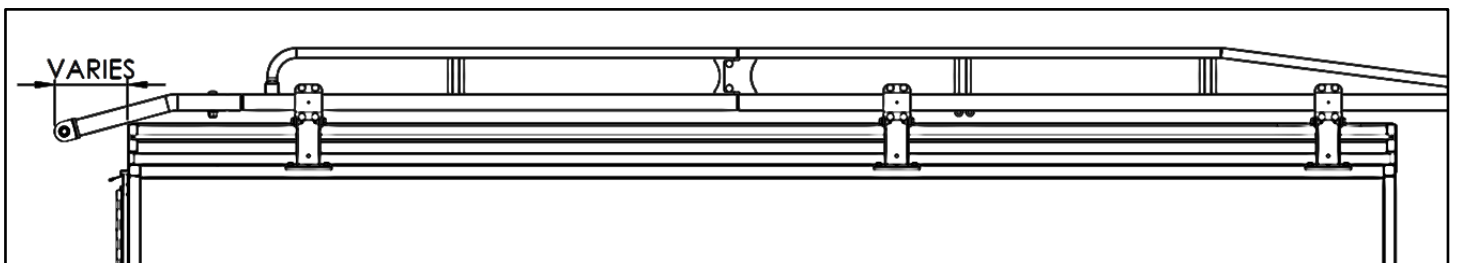
- Place ladder rack with feet on top of the covered service body.



- Be sure the rack is centered on top of the covered service body.



- Ensure the rear of the rack is far enough off the rear of the vehicle that when placing a ladder on the rack, the ladder does not hit the vehicle.



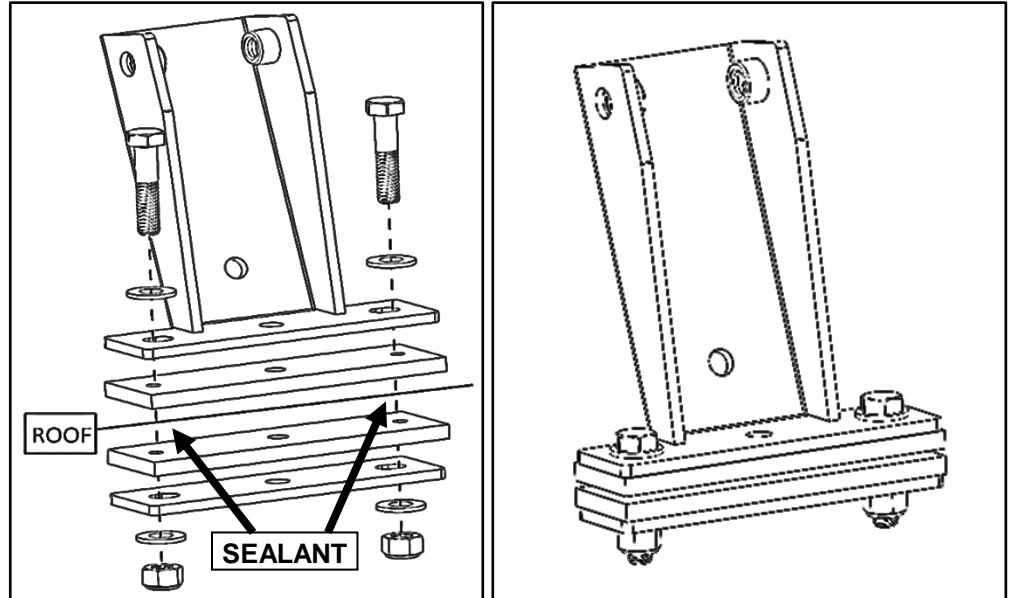
ENSURE THIS IS THE LOCATON THE RACK IS DESIRED.

- Mark through all four feet onto the top of the covered service body.



Always check for wires, fuel tanks and lines, brake lines and other important vehicle functionality items prior to drilling and installing all products.

- Remove the assembled rack with the feet and drill at all twelve marked locations using a 11/32" drill bit. **Be sure it is safe to drill.**
- Replace the rack on top of the covered service body.
- **Place sealant around the holes in the covered service body.**
- The metal body goes in between two rubber pads.
- Bolt into place using 5/16" x 1-1/2" hex heads, 5/16" flat washers, rubber pad, the roof, rubber pad, metal plate, 5/16" flat washer and 5/16" lock nut.
- Tighten.



GO BACK AND TIGHTEN ALL HARDWARE.

INSTALLATION IS COMPLETE.

