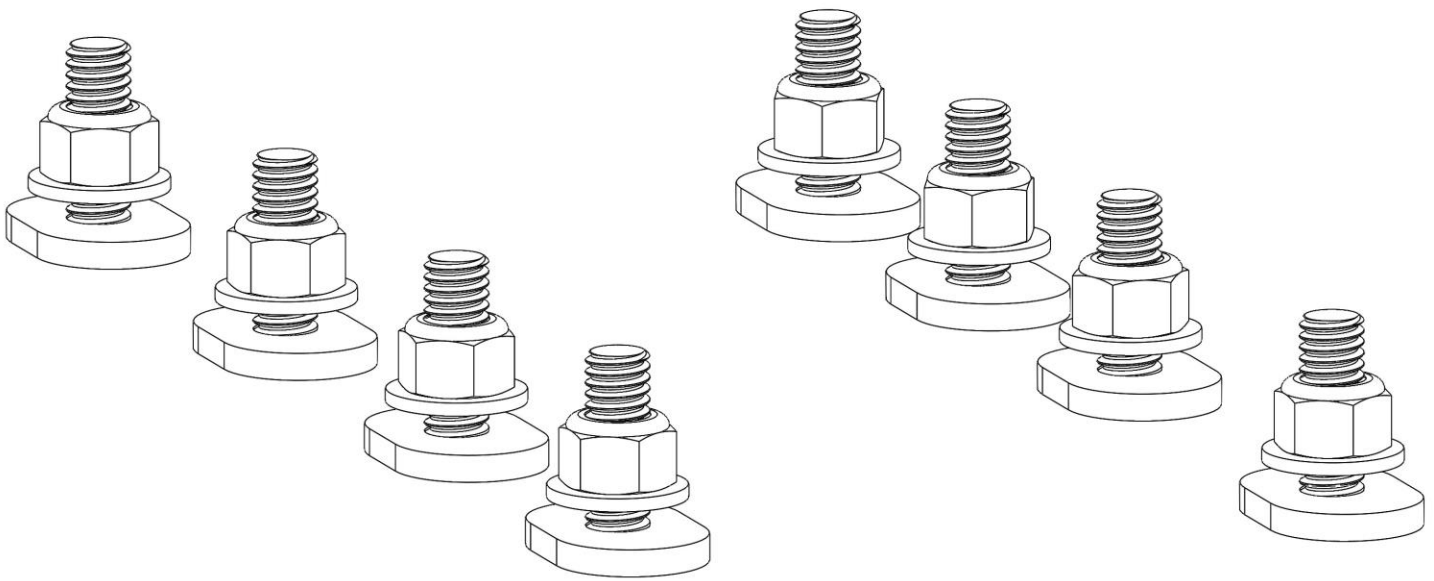


Holman

Instruction Guide 408GC



Holman
Rancho Cordova, CA 95742
800-343-7486
InstallationSupport@holman.com

PLEASE READ ALL INSTRUCTIONS AND WARNINGS PRIOR TO ASSEMBLING, INSTALLING, AND USING THIS PRODUCT.

Warning



DO NOT EXCEED MANUFACTURERS WEIGHT CAPACITY FOR ROOF.

Tools Needed

1/2" Socket and Socket Wrench

Table of Contents

Before You Begin 1

Parts 1

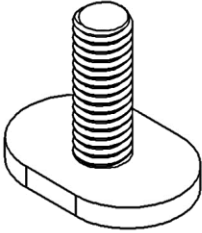
Hardware 1

Install Feet to Rails 2


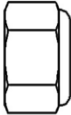
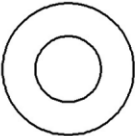
Before You Begin

- Read all instructions prior to assembling or installing any Holman product.
- **Always locate your installation locations prior to performing any work.**
- **Have rack preassembled before installing mounting hardware.**

Parts

NO.	ITEM	PART NUMBER	DESCRIPTION	QTY.
1		408SC-001	RAIL SLOT MOUNTING STUD	8
2		18-408GC	HARDWARE KIT	1

Hardware

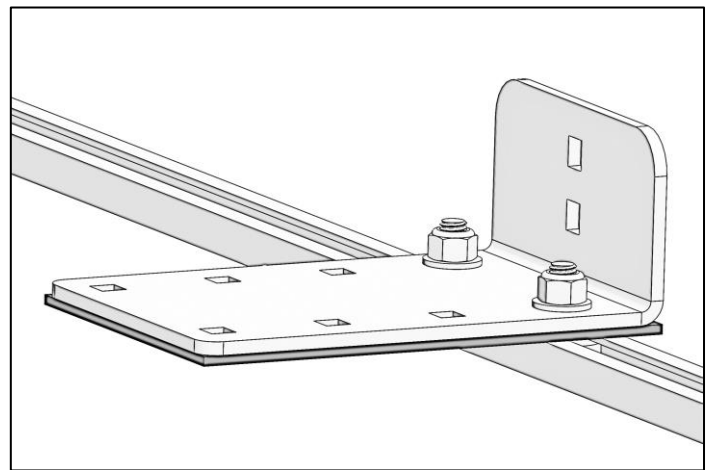
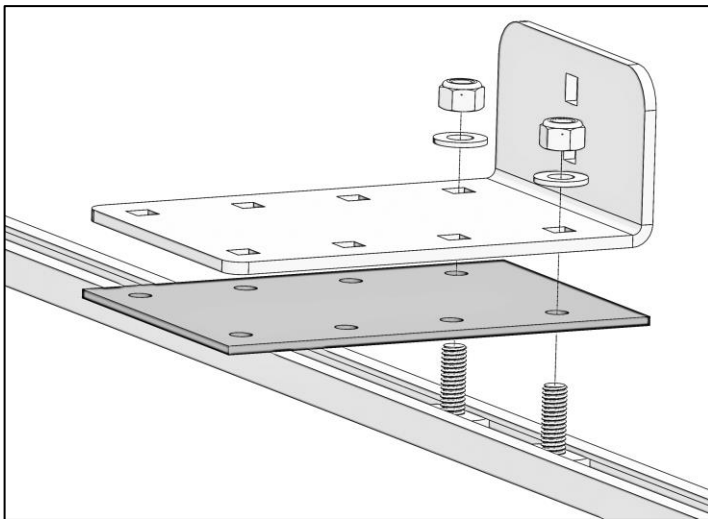
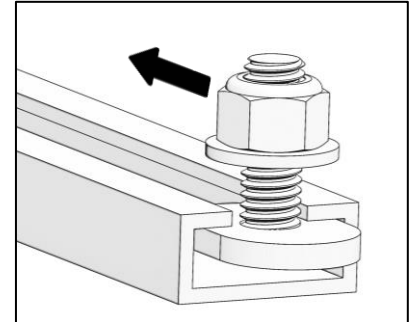
ITEM	HARDWARE TO SCALE	PART NUMBER	DESCRIPTION	QTY.
1	 	0169777	5/16"-18 LOCK NUT	8
2		11545144	5/16" FLAT WASHER	8

DO NOT EXCEED MANUFACTURERS WEIGHT CAPACITY FOR ROOF.

Step 1 – Install Feet to Rails

It is recommended to have rack preassembled before installing mounting hardware.

- Determine mounting locations on cap.
- Insert rail slot stud into rail slot and slide to each mounting position.
- Set rack mounting foot over rail slot stud. Be sure stud is going through hole in bottom of foot.
- For each foot, loosely fasten use a 5/16" flat washer and 5/16" lock nut to each stud. **DO NOT tighten until all washers and nuts have been loosely installed.**
- Snug tighten hardware but allow for movement. Tighten hardware after rack installation is complete.
- Install rack to feet per mount kit instructions.



GO BACK AND TIGHTEN ALL HARDWARE.

INSTALLATION IS COMPLETE.