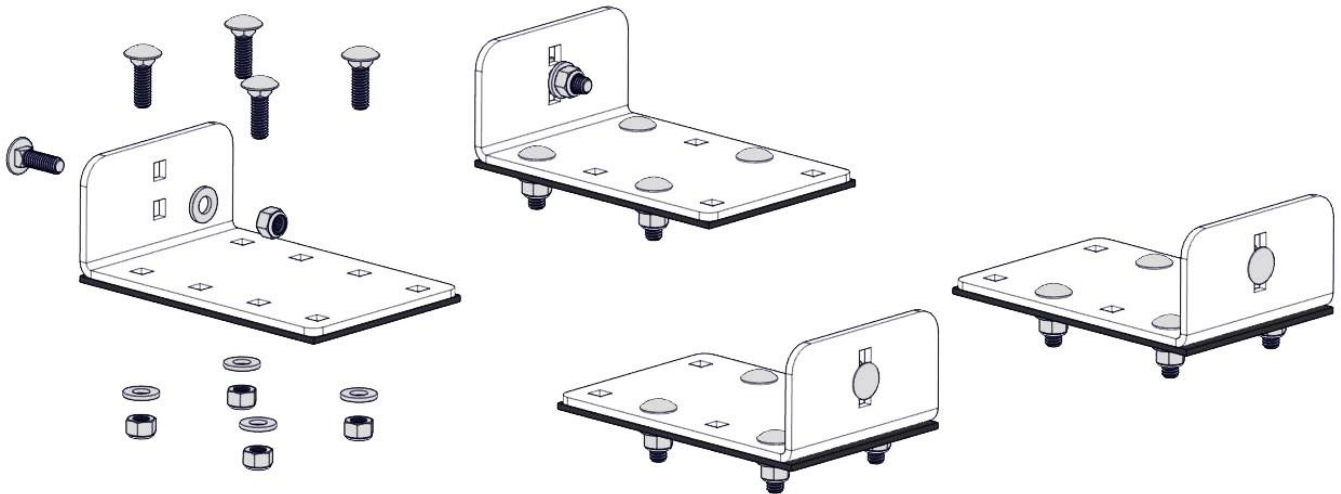


# Holman

---

## Installation Guide 408SC

---



---

Holman  
Rancho Cordova, CA 95742  
800-343-7486  
[InstallationSupport@Holman.com](mailto:InstallationSupport@Holman.com)

---

## PLEASE READ ALL INSTRUCTIONS AND WARNINGS PRIOR TO ASSEMBLING, INSTALLING, AND USING THIS PRODUCT.

---

### Warning



Always check for wires, fuel tanks and lines, brake lines and other important vehicle functionality items prior to drilling and installing all products.



**DO NOT EXCEED MANUFACTURERS WEIGHT CAPACITY FOR ROOF.**

---

### Tools Needed

|                        |       |
|------------------------|-------|
| 1/2" Socket and Wrench | Drill |
| 11/32" Drill Bit       |       |

---

### Table of Contents

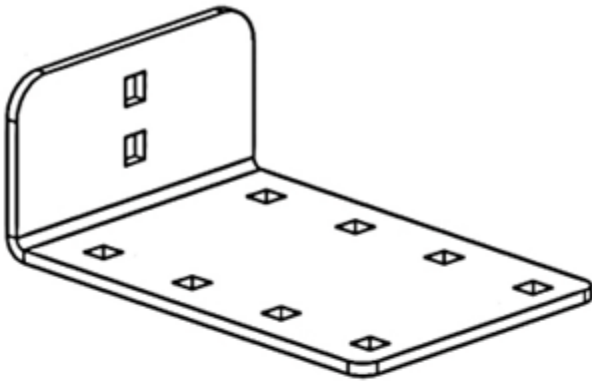
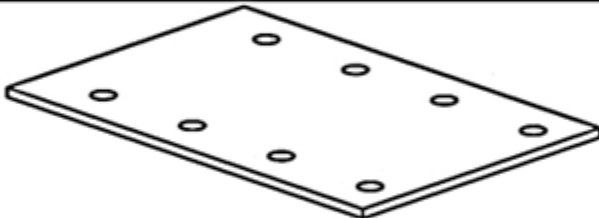
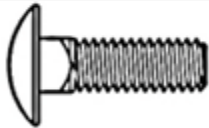



|                                      |   |
|--------------------------------------|---|
| Before You Begin .....               | 1 |
| Parts List.....                      | 2 |
| Step 1 – Foot Placement .....        | 3 |
| Step 2 – Attach Mounts to Feet ..... | 4 |
| Step 3 – Place Rack on Shell .....   | 5 |
| Step 4 – Remove Rack and Drill.....  | 6 |
| Step 5 – Mount Feet Mounts.....      | 6 |
| Step 6 – Mount Rack .....            | 7 |

---

### Before You Begin

- Read all instructions prior to assembling or installing any Holman product.
- Have desired ladder rack ready to be installed.

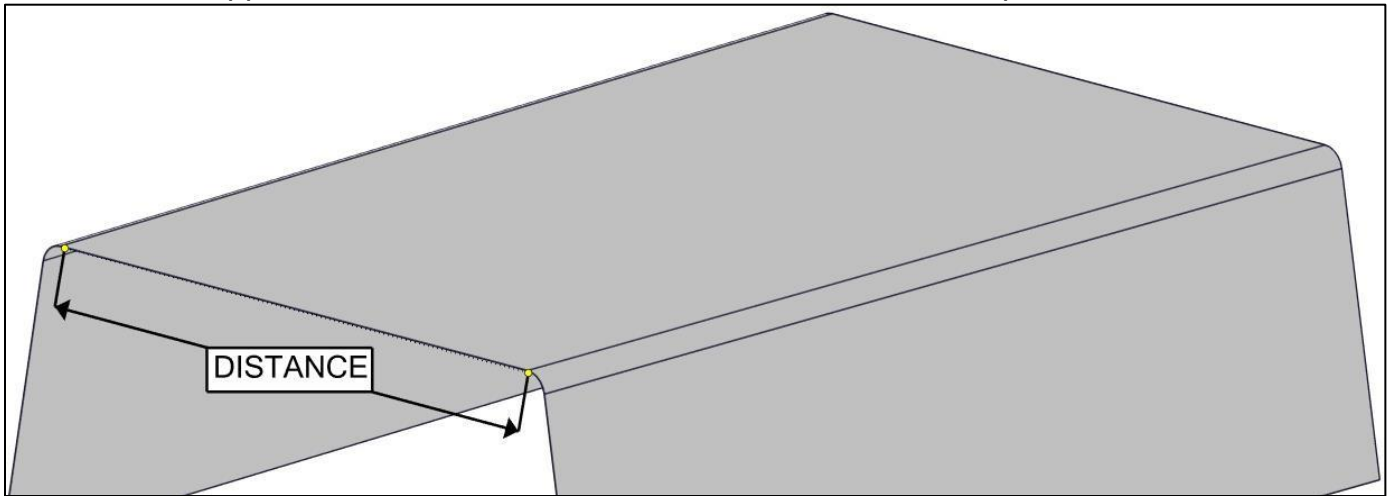
## Parts List

| ITEM NO. |   | PART NUMBER    | DESCRIPTION               | QTY. |
|----------|---|----------------|---------------------------|------|
| 1        |    | 101259         | MOUNT BRACKET, DCU, CAP   | 4    |
| 2        |    | 4ADCU-00-002   | DCU-CAP-Rubber Pad        | 4    |
| 3        |   | 90185A583      | 5/16-18 x 1 Carriage Bolt | 20   |
| 4        |  | 96659A107      | 5/16 Flat Washer          | 20   |
| 5        |  | 95615A160      | 5/16-18 Nyloc Nut         | 20   |
|          |  | 60ml - SEALANT | SEALANT                   | 1    |

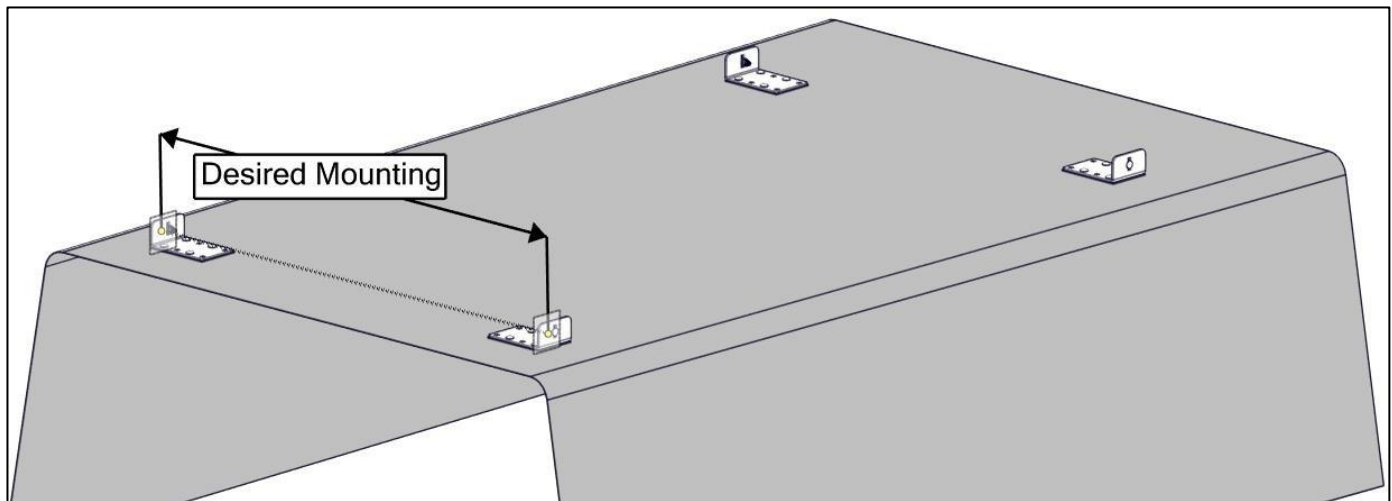
## **DO NOT EXCEED MANUFACTURERS WEIGHT CAPACITY FOR ROOF!**

### **Step 1 – Foot Placement**

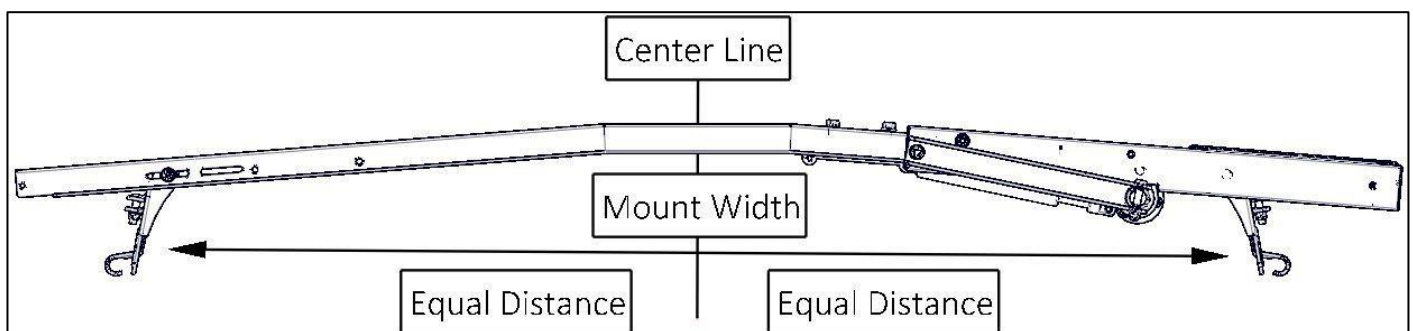
- Measure the approximate width of the flat section of the roof on the top of the shell.



- Determine best mount locations on top of the shell and measure distance between the desired mounting locations.



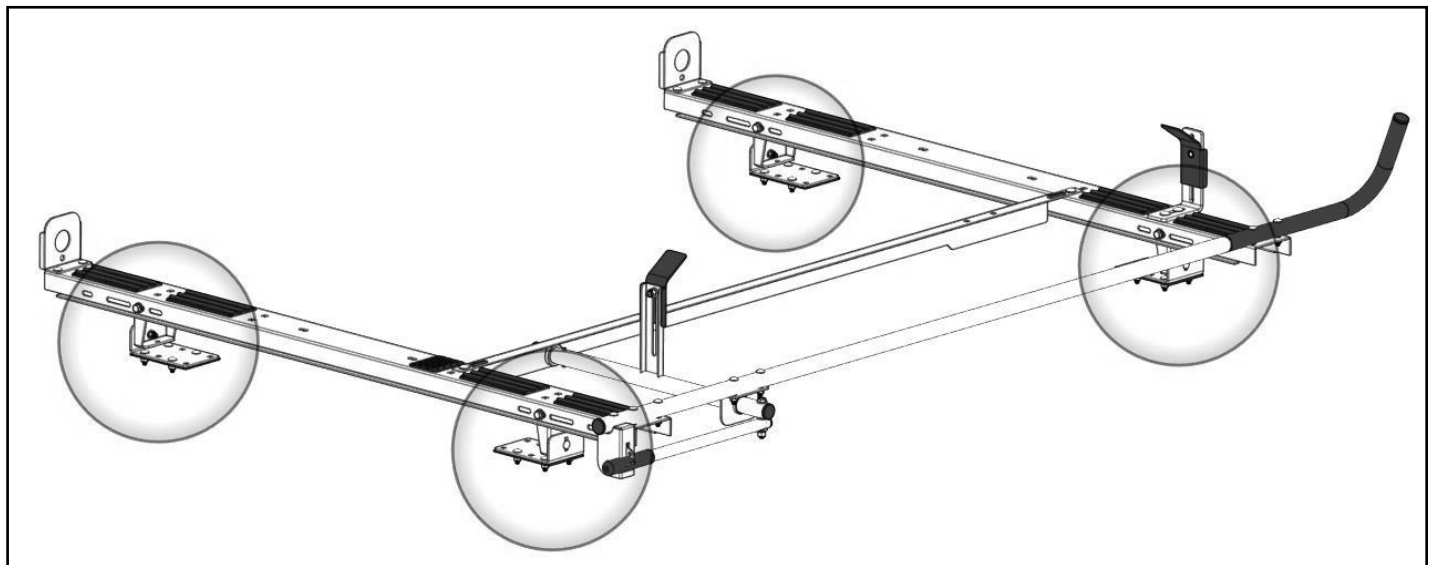
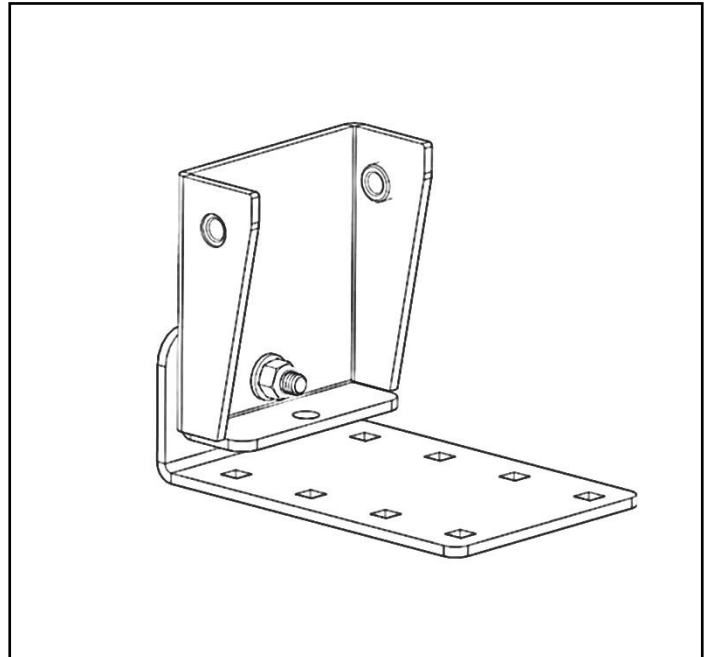
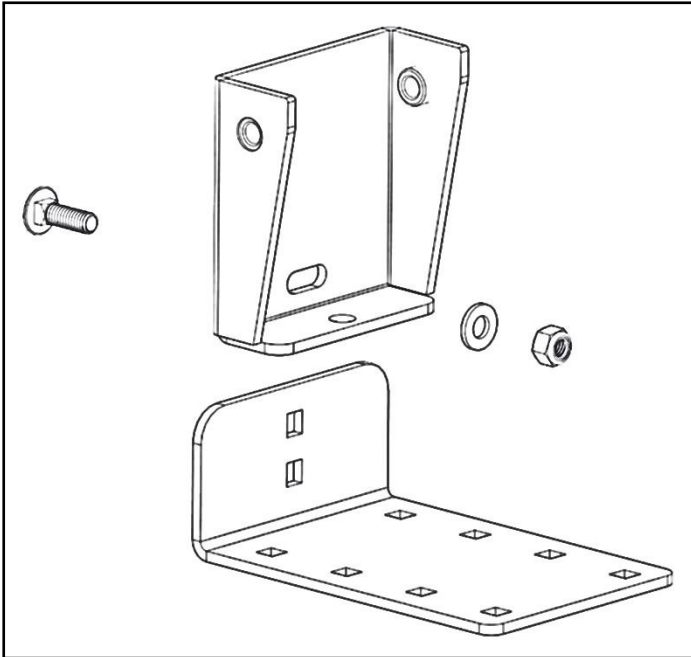
- At the width desired, find the corresponding slots on the ladder rack cross bow and attach mounting feet as shown.



- Be sure there is an equal distance from the center of the cross bow to each foot.
- Leave feet loose until you set the assembly onto the vehicle.

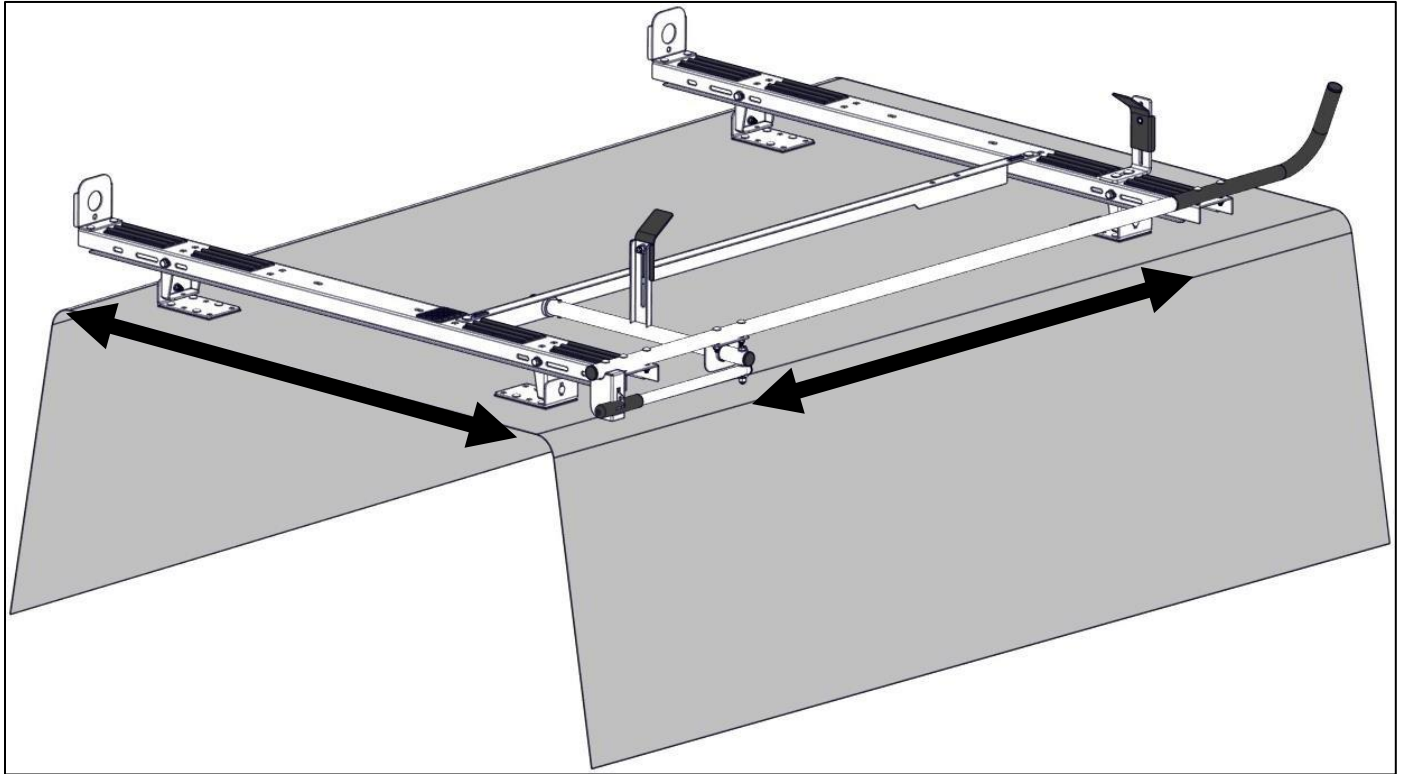
## Step 2 – Attach Mounts to Feet

- Attach feet on ladder rack to the mounting brackets from the 408SC kit using 5/16" x 1" carriage bolts, 5/16" flat washers and 5/16" lock nuts.
- Repeat at all four mount feet.
- Do NOT tighten. These will be removed in future steps.

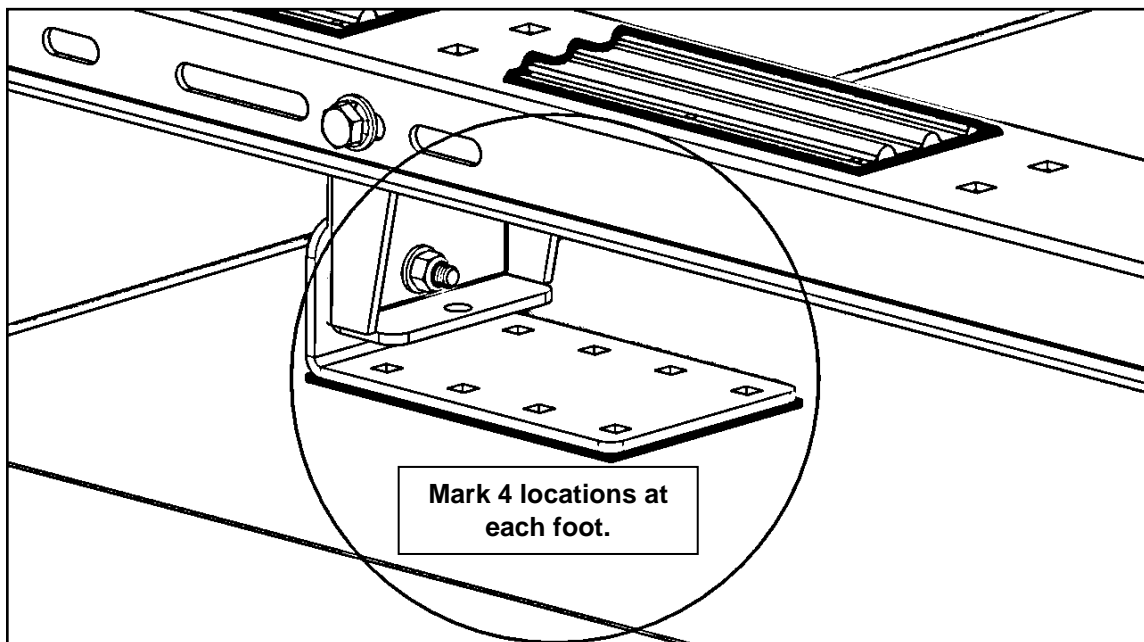


## Step 3 – Place Rack on Shell

- Place rack on top of shell and position to your liking. Be sure the rack is off-set far enough to the rear that one will not hit the shell when loading and unloading a ladder.
- Be sure the handle can be rotated without hitting the side of the shell.

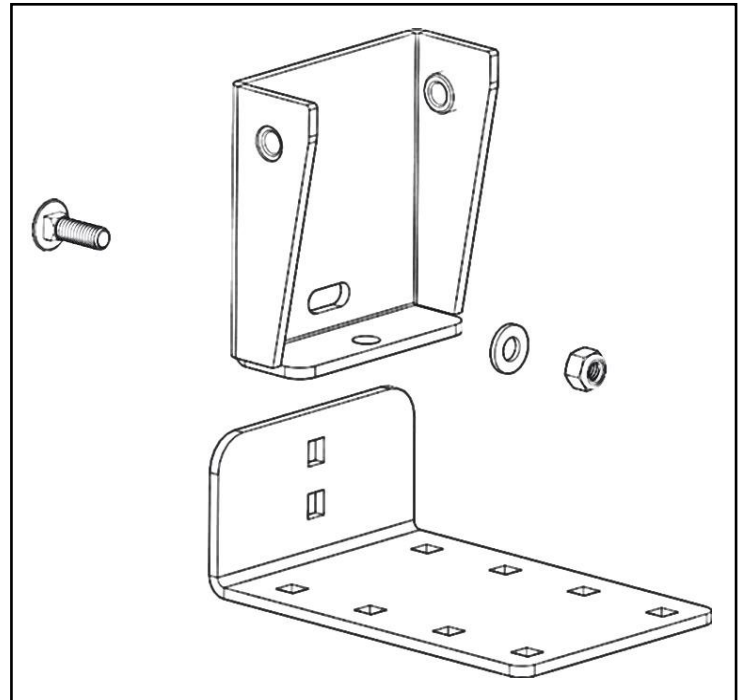


- Mark four locations at each foot mount location onto the top of the shell.



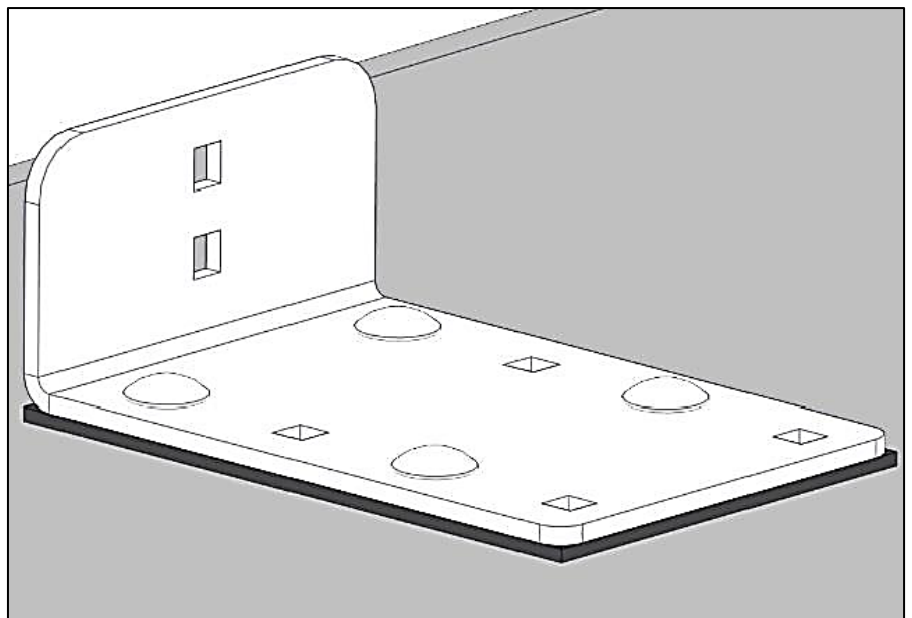
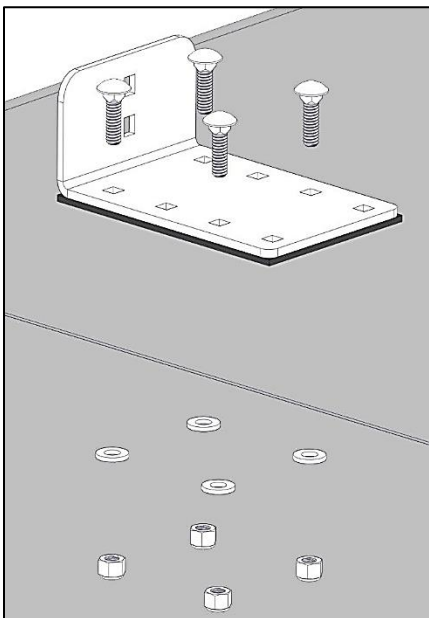
## Step 4 – Remove Rack and Drill

- Remove rack with feet and mounts from the top of the shell.
- Drill in previously marked holes using a 11/34" bit.
- Ensure safety when drilling.
- Remove rack and feet from the feet mounts.



## Step 5 – Mount Feet Mounts

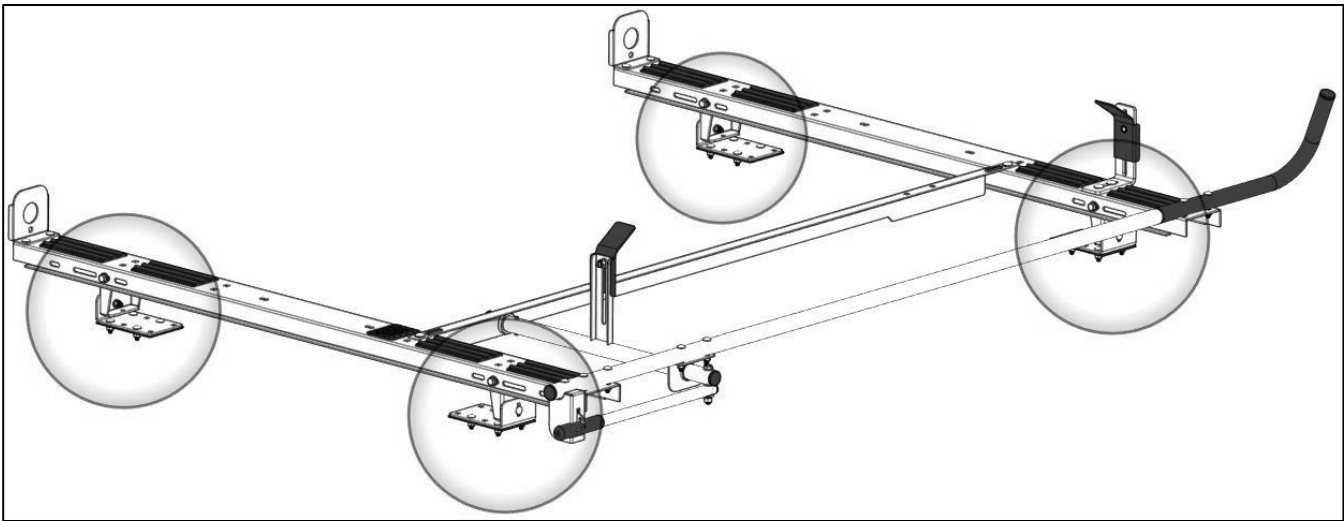
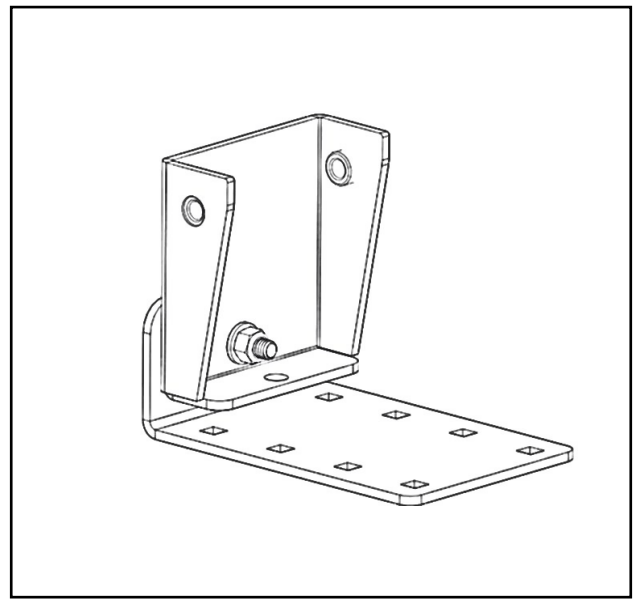
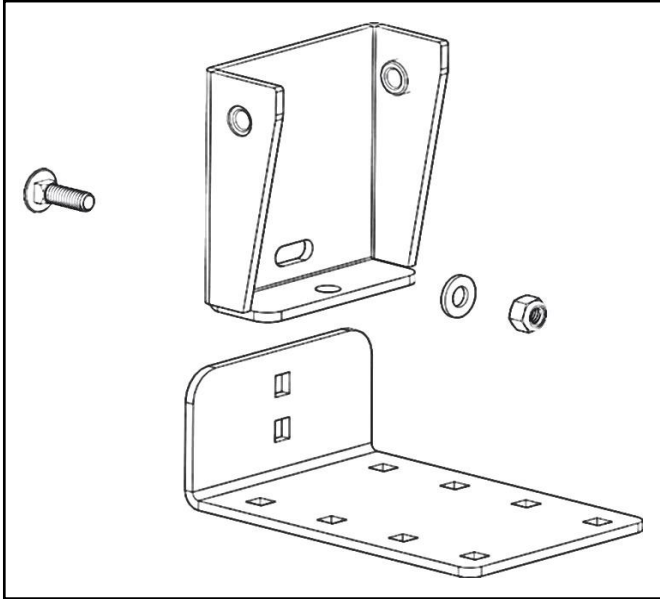
- Mount feet mounts to the shell through the previously drilled holes using 5/16" x 1" carriage bolts, 5/16" flat washers and 5/16" lock nuts.
- **Be sure rubber pad is between shell and mount bracket.** Apply a generous amount of sealant around the holes drilled in the shell.
- Place sealant around hardware to ensure no water and leak into shell.
- Snug tighten, but allow movement.





## **Step 6 – Mount Rack**

- Place rack on top of previously installed feet mounts.
- Attach feet on ladder rack to the mounting brackets from the 408SC kit using 5/16" x 1" carriage bolts, 5/16" flat washers and 5/16" lock nuts.
- Repeat at all four mount feet.



- Align and square rack on the shell.

**GO BACK AND TIGHTEN ALL HARDWARE.**

**INSTALLATION IS COMPLETE.**