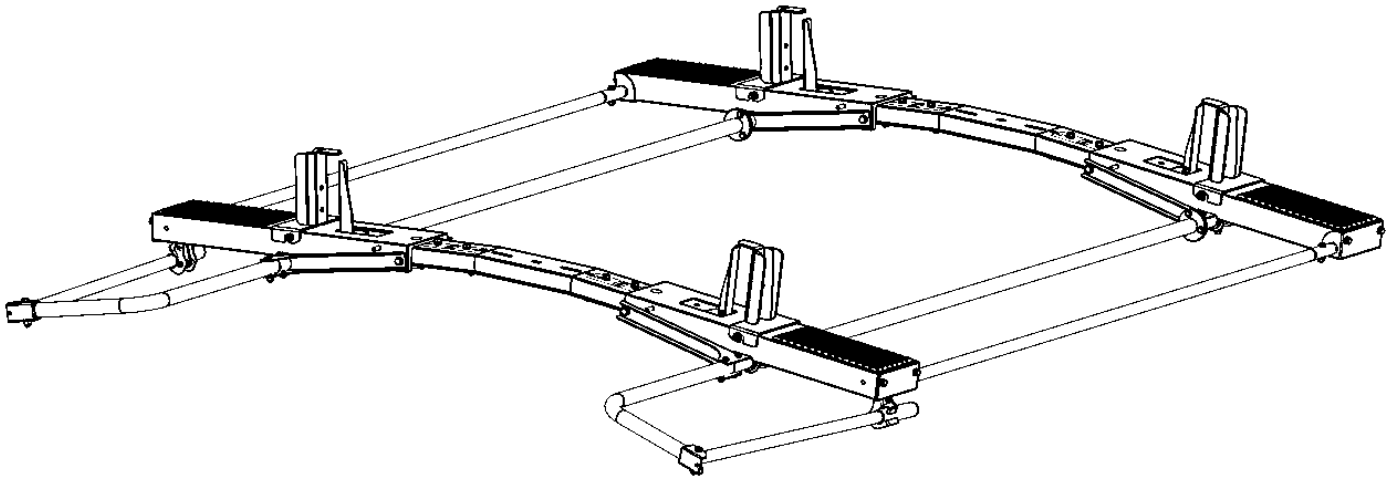


# Holman

---

## Assembly Guide 4095L

---



---

Holman  
Rancho Cordova, CA 95742  
800-343-7486  
[InstallationSupport@Holman.com](mailto:InstallationSupport@Holman.com)

---

**PLEASE READ ALL INSTRUCTIONS AND WARNINGS PRIOR TO ASSEMBLING, INSTALLING, AND USING THIS PRODUCT.**

**Warning**



**Always check for wires, fuel tanks and lines, brake lines and other important vehicle functionality items prior to drilling and installing all products.**

**Tools Needed**

1/2" Wrench and Socket	7/16" Wrench and Socket
Tape Measure	

**Table of Contents**

Before You Begin ..... 1

Parts..... 2

Hardware ..... 3

Step 1 – Torque Tube Installation ..... 3

Step 2 – Ladder Pan Support..... 4

Step 3 – Ladder Stops ..... 5

Step 4 – Ladder Hooks ..... 6

Step 5 – Install Latch..... 7

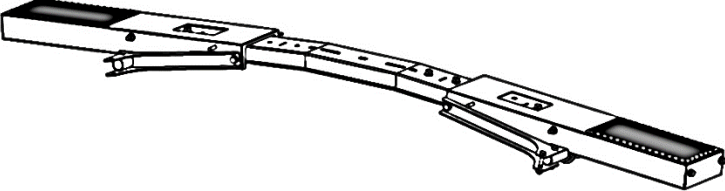

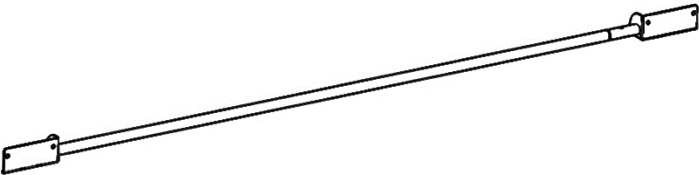

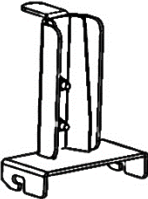
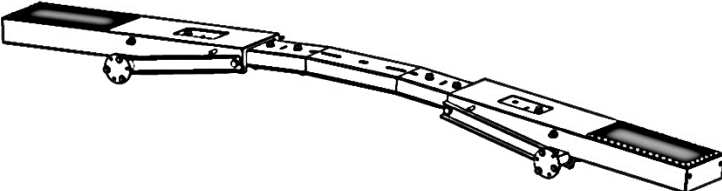

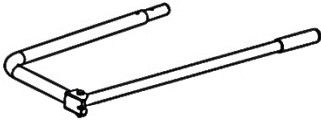
Step 6 – Install Handle ..... 7

Step 7 – Install Rack ..... 7

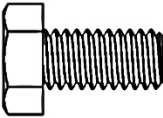
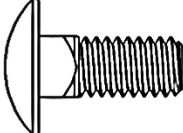

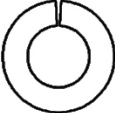
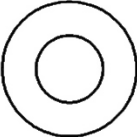
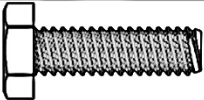
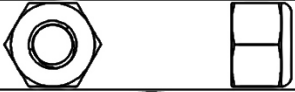

**Before You Begin**

- Read all instructions.
- Instructions are shown building the rack on a work bench. The rack may be assembled on top of the vehicle if desired. Use instructions from mount kit to complete installation of rack.

## Parts

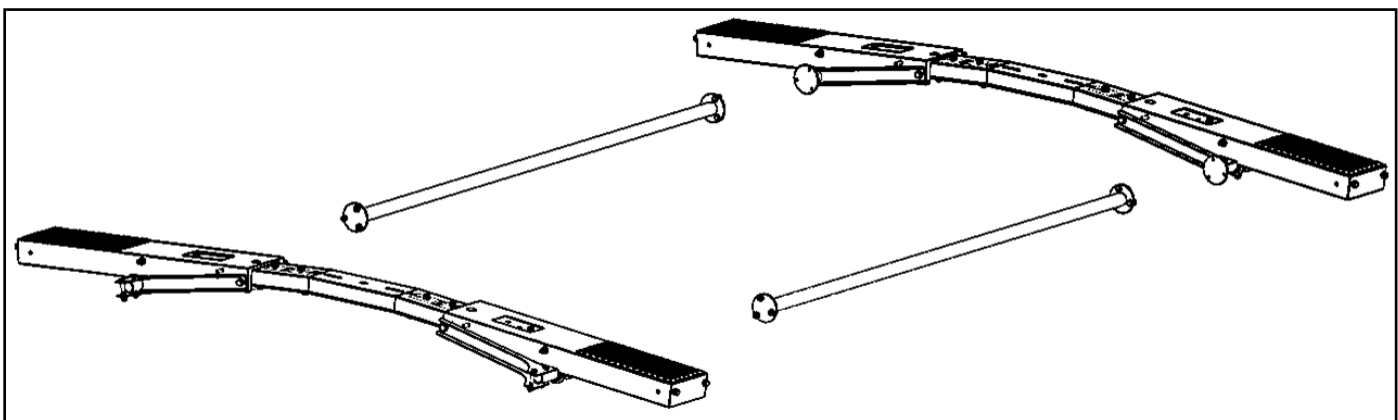
ITEM NO.		PART NUMBER	DESCRIPTION	QTY
A		40925AT-02	FRONT BOW ASM	1
B		40800-21	TORQUE TUBE ASM	2
C		40953-831	LADDER PAN ASM	2
D		40900-30-004	LADDER STOP	4
E		40900-31-R4	LADDER HOOK ASM	4
F		40925AT-01	REAR BOW ASM	1
G		40900-43	LATCH ASM	2
H		40900-40-1	HANDLE ASM	2
			HARDWARE	1

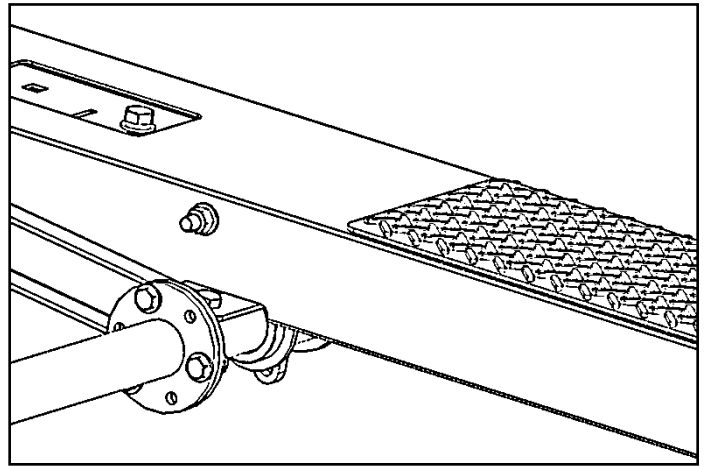
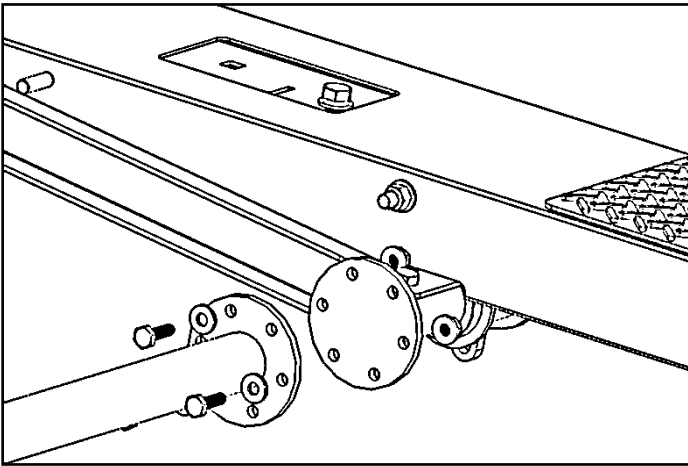
## Hardware

ITEM	HARDWARE TO SCALE	PART NUMBER	DESCRIPTION	QTY.
1		92865A580	5/16"-18 X 5/8" HEX HEAD BOLT	8
2		21810	5/16"-18 X 3/4" CARRIAGE BOLT	4
3		37521	5/16"-18 LOCK NUT	4
4		1133620	5/16" LOCKING WASHER	8
5		90126A030	5/16" FLAT WASHER	12
6		95004	1/4"-20 X 7/8" HEX HEAD BOLT	12
7		37018	1/4"-20 NYLON INSERT LOCK NUT	12
8		33078	1/4" FLAT WASHER	24
9		SEALANT - 60 ML	SEALANT	1

## Step 1 – Torque Tube Installation

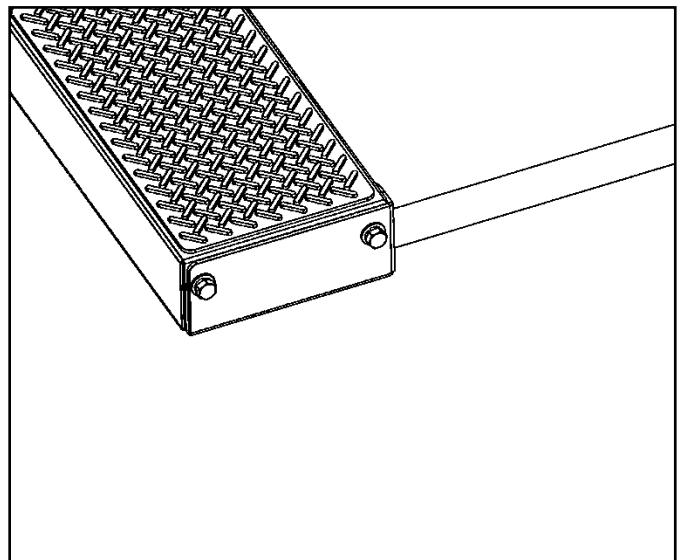
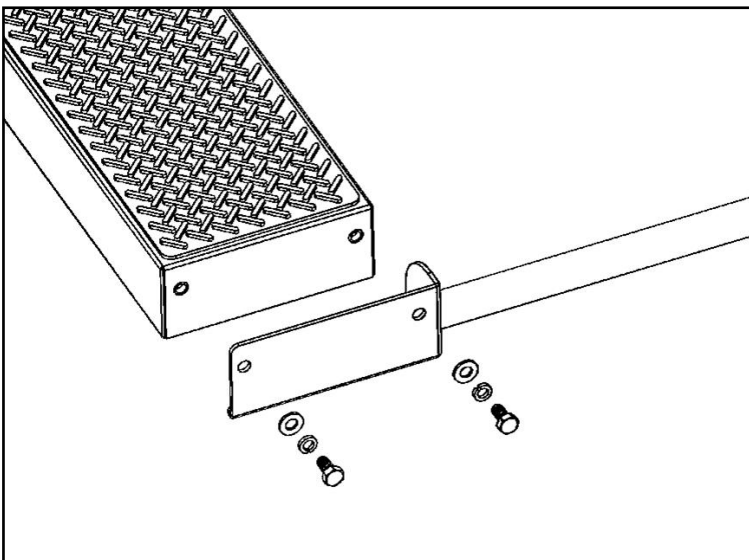
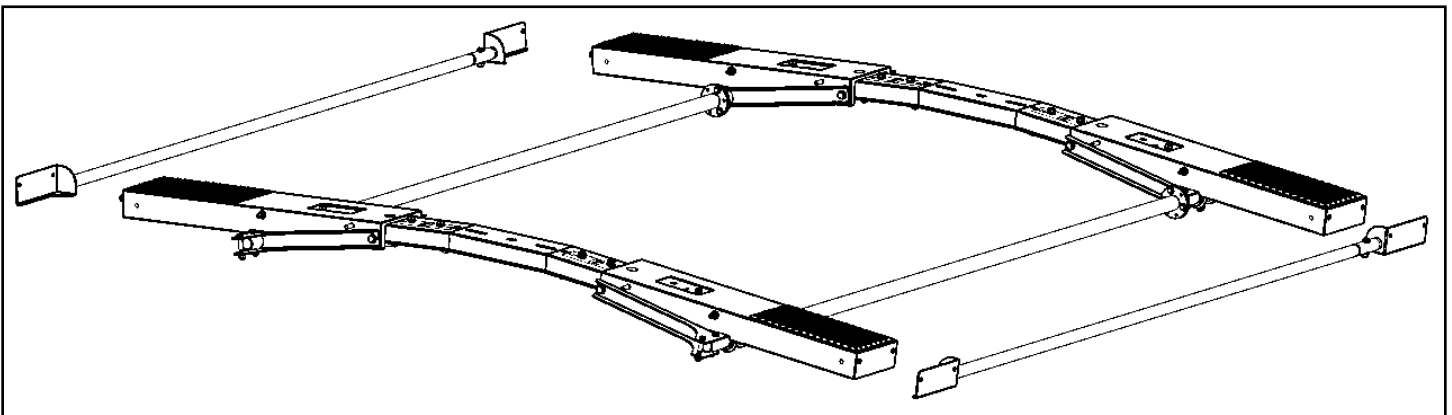
- Bolt torque tubes to the front and rear bow as shown.
- Use 1/4" x 7/8" hex head bolts, two 1/4" flat washers and a 1/4" lock nut.
- Snug tighten but allow movement.
- Repeat both driver and passenger side.





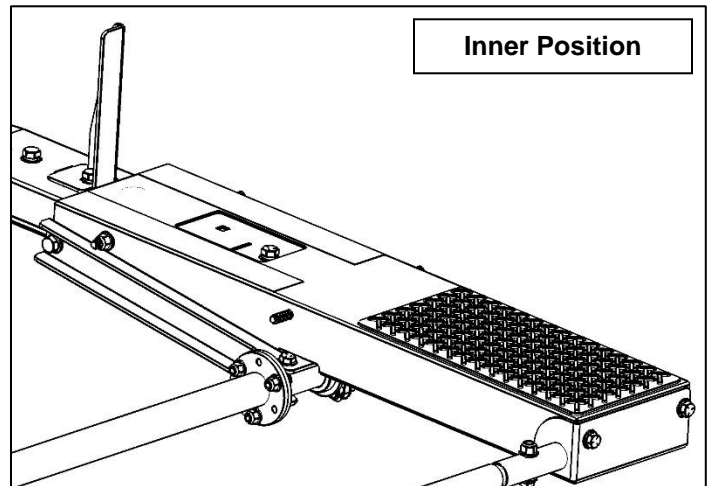
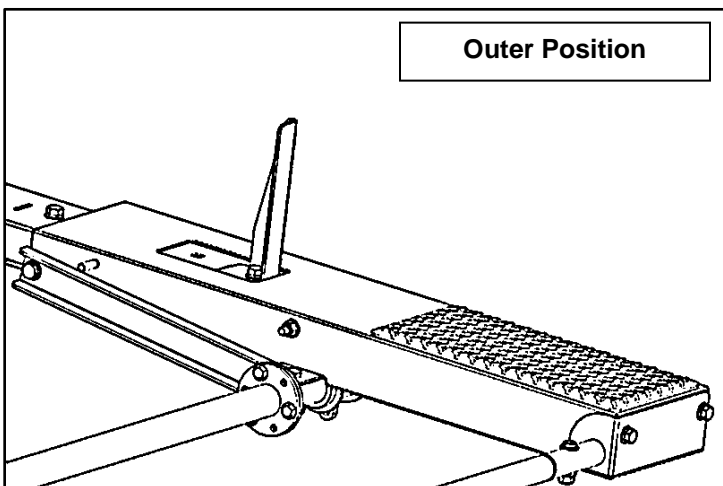
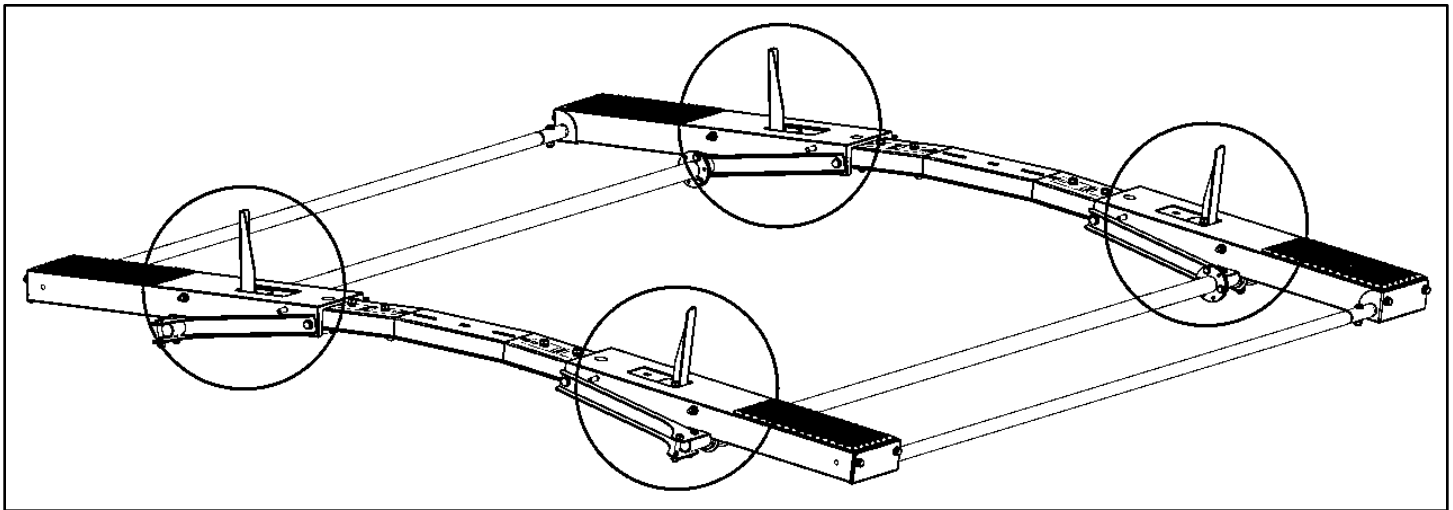
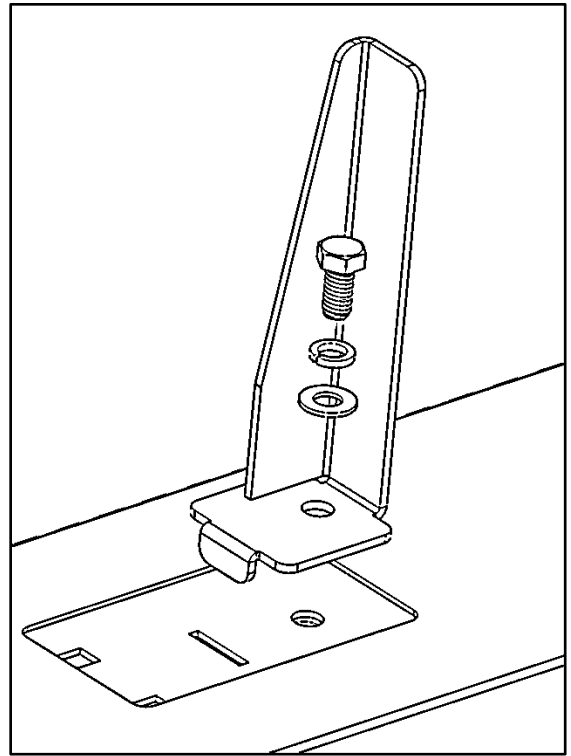
## Step 2 – Ladder Pan Support

- Attach ladder pan support to the ends of the ladder pans as shown using 5/16" x 5/8" hex heads with 5/16" lock washers and 5/16" flat washers.
- Repeat on front and rear bow, on both sides.
- Snug tighten but allow movement.



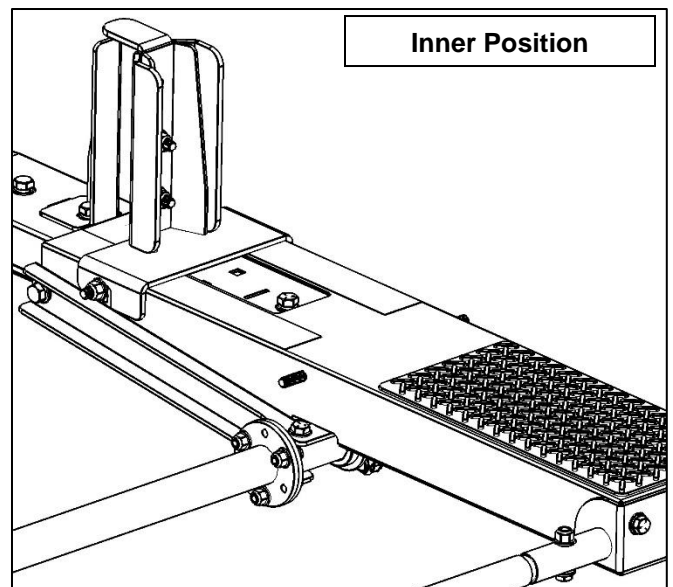
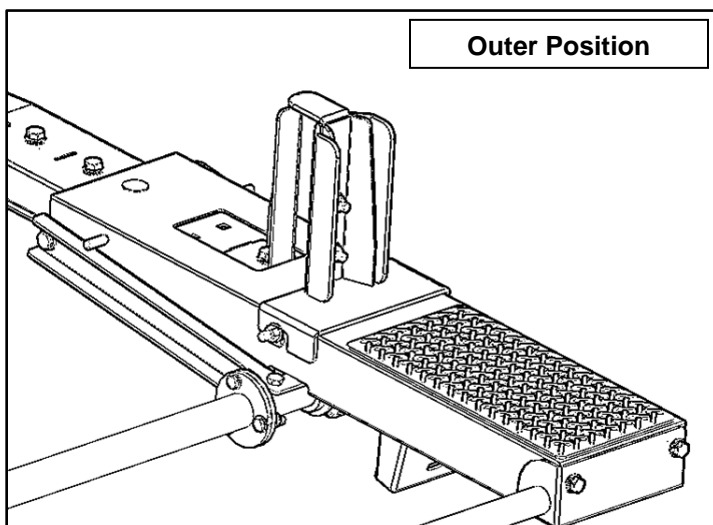
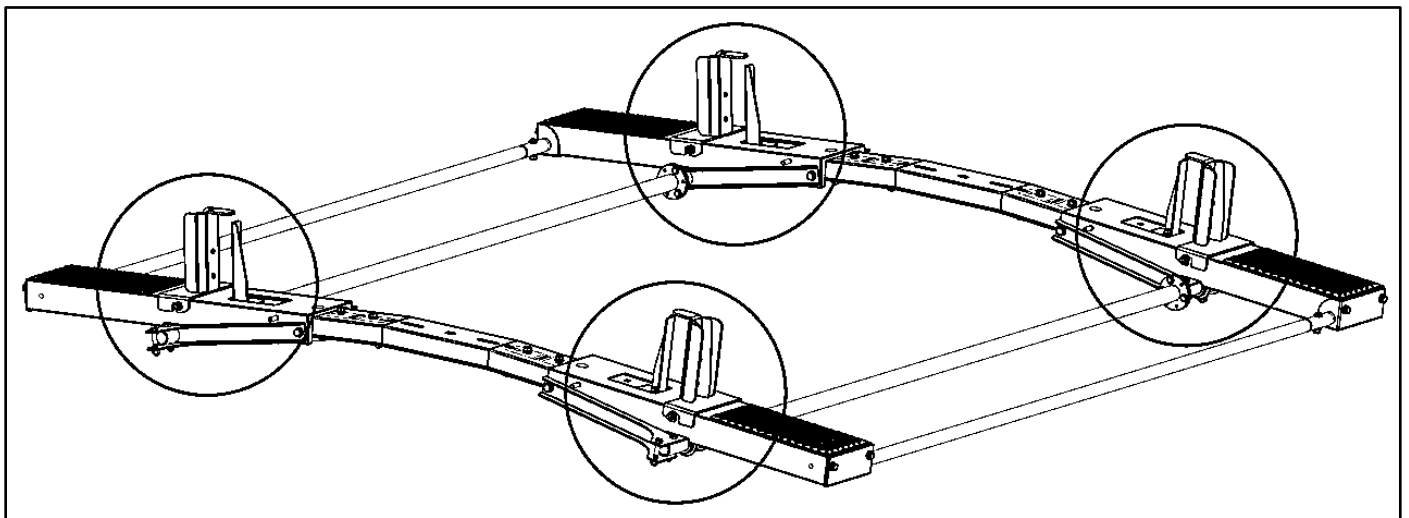
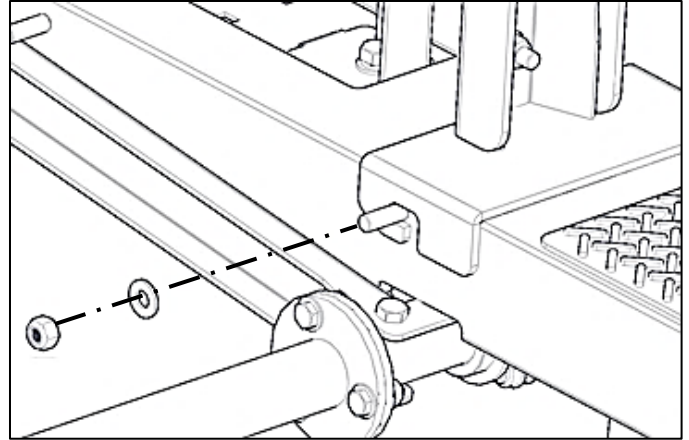
## Step 3 – Ladder Stops

- Decide desired location where ladder stop and hooks are wanted. The picture below shows the ladder stop in the most common position for extension ladders.
  - For extension ladders, both ladder hooks are usually installed in the outer position, front and back.
  - For step ladders, the rear hook is installed on the inner position and front hook is installed at the outer position.
- Remove the 3/8" x 3/4" bolt, 3/8" split lock washer and 3/8" flat washer from the four locations desired and install ladder stop with removed hardware.
- Align the tab on the ladder stop with the rectangle cut out next to where bolts were removed.
- TIGHTEN.



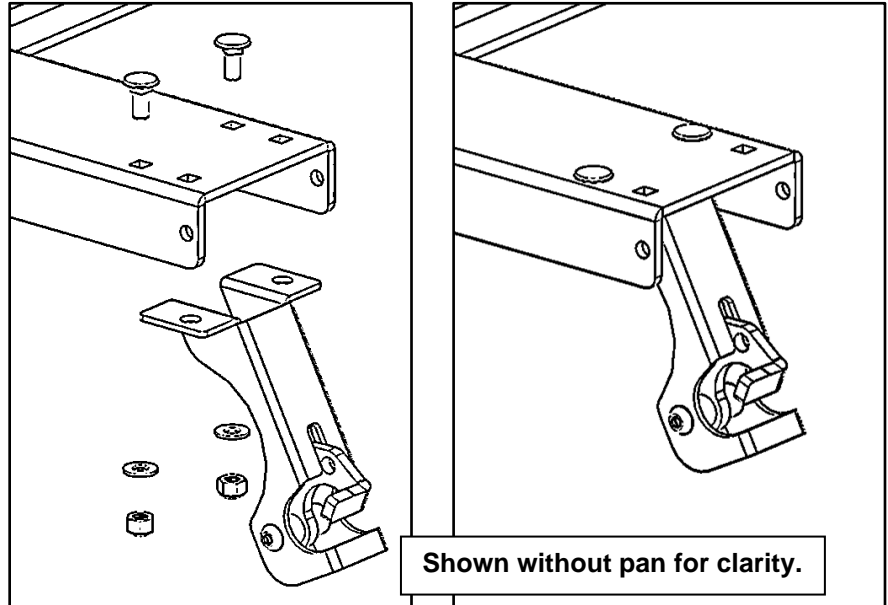
## Step 4 – Ladder Hooks

- Using 5/16" flat washers and a 5/16" lock nuts, secure ladder hook to the studs installed on each bow, depending on where you installed the ladder steps.
- TIGHTEN.



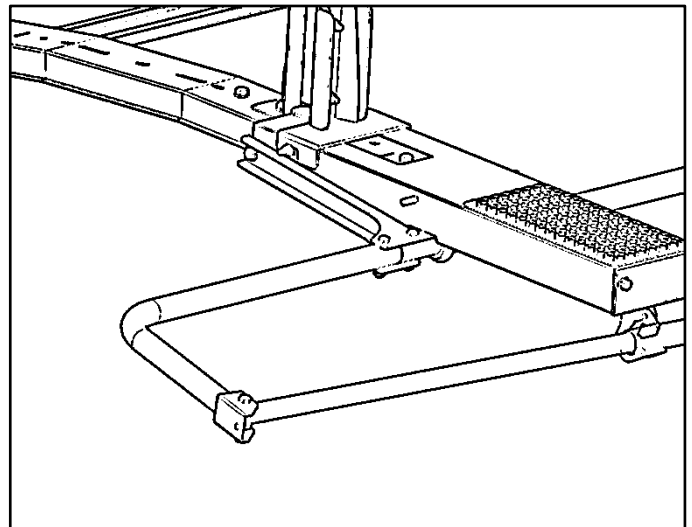
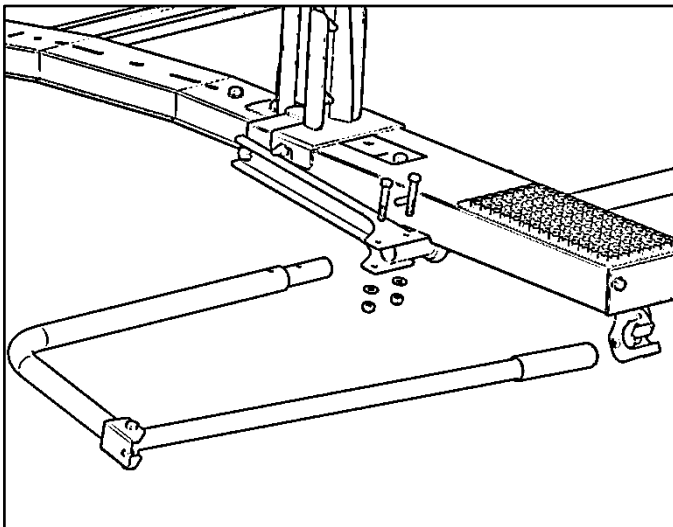
## **Step 5 – Install Latch**

- Move rear pan assembly out of the way to expose the end of the crossmember.
- Bolt latch assembly to end of crossmember using 5/16" x 3/4" carriage bolts, 5/16" flat washers and 5/16" lock nuts.
- Repeat on both ends of rear bow.
- TIGHTEN.



## **Step 6 – Install Handle**

- Removed hardware installed in bow.
- Using the removed hardware, attach the handle to the rear bow assembly as shown.
- TIGHTEN.
- Repeat on opposite side.



## **Step 7 – Install Rack**

- Follow mount kit installation instructions to finish installation of rack.

**GO BACK AND ENSURE ALL HARDWARE IS TIGHT.**

**YOUR ASSEMBLY IS NOW COMPLETE.**