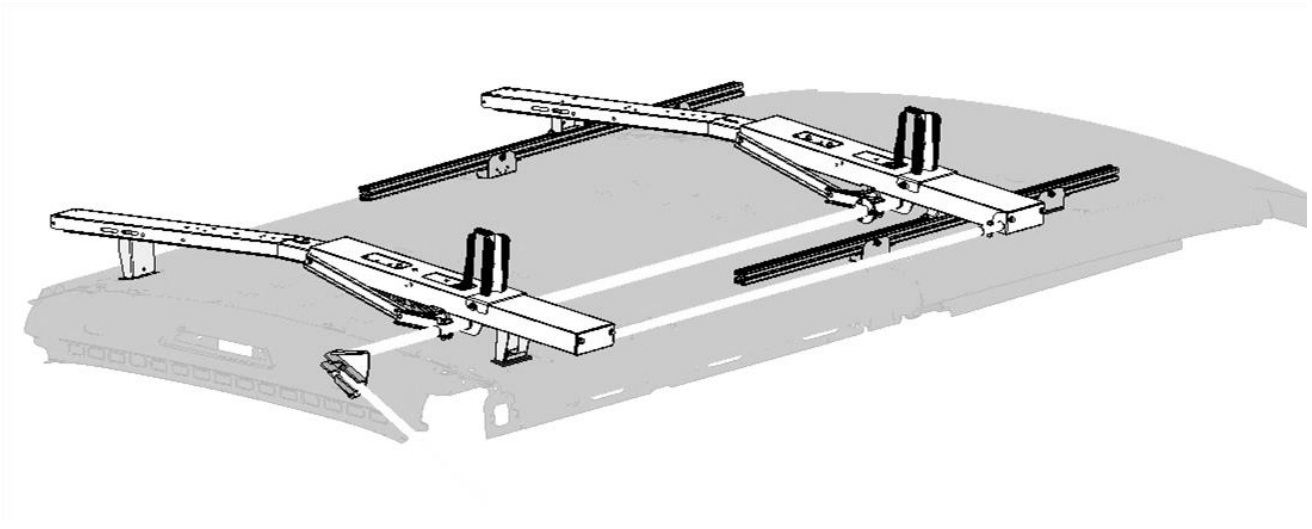


Holman

Installation Guide

4099H



Holman
Rancho Cordova, CA 95742
800-343-7486

InstallationSupport@Holman.com

PLEASE READ ALL INSTRUCTIONS AND WARNINGS PRIOR TO ASSEMBLING, INSTALLING, AND USING THIS PRODUCT.

Warning



Always check for wires, fuel tanks and lines, brake lines and other important vehicle functionality items prior to drilling and installing any product.

Tools Needed

| | |
|-------------------------|-------------------------|
| 1/2" Wrench and Socket | 7/16" Wrench and Socket |
| 9/16" Wrench and Socket | Tape Measure |
| Phillips Drive | |

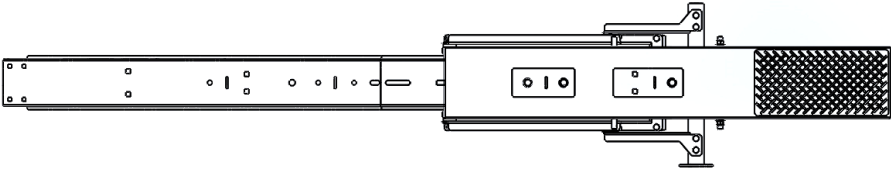
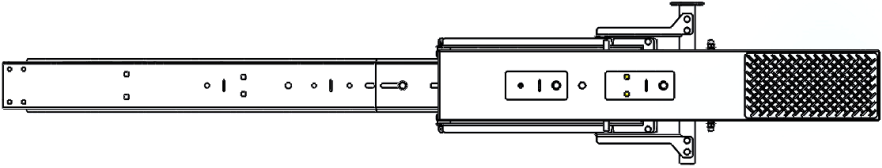
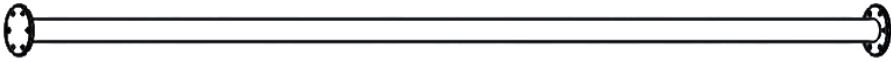

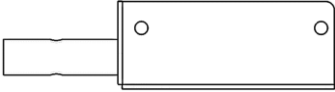


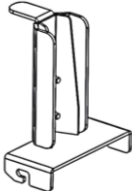

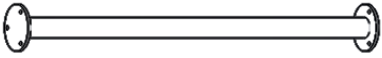
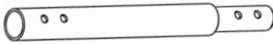
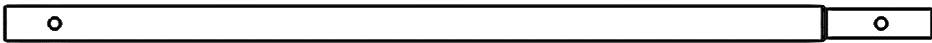
Table of Contents

| | |
|--|----|
| Parts List | 2 |
| Hardware List | 3 |
| Step 1 – Install Actuator | 4 |
| Step 2 – Install Front and Rear Bow Assembly | 5 |
| Step 3 – Torque Tube | 6 |
| Step 4 – Ladder Pan Support | 8 |
| Step 5 – Ladder Stops and Hooks | 9 |
| Step 6 – Install Rack | 10 |
| Step 7 – Install handle bar clip | 11 |



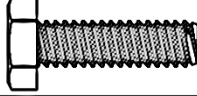

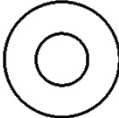
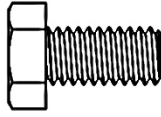
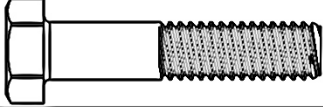
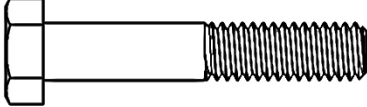

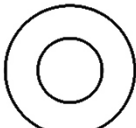
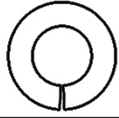
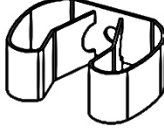
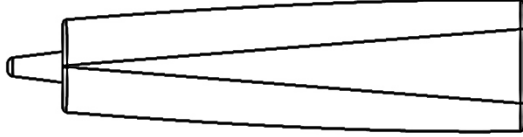
Before You Begin

- Read all instructions prior to installing any product.

Parts

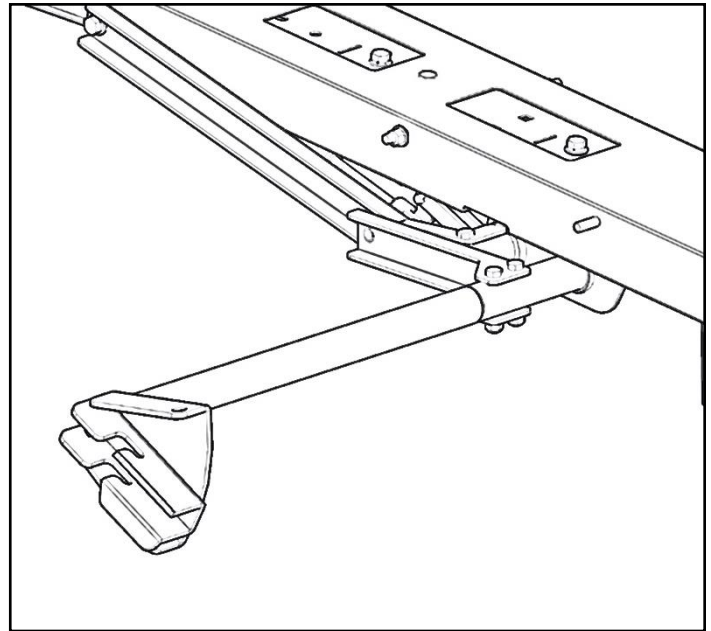
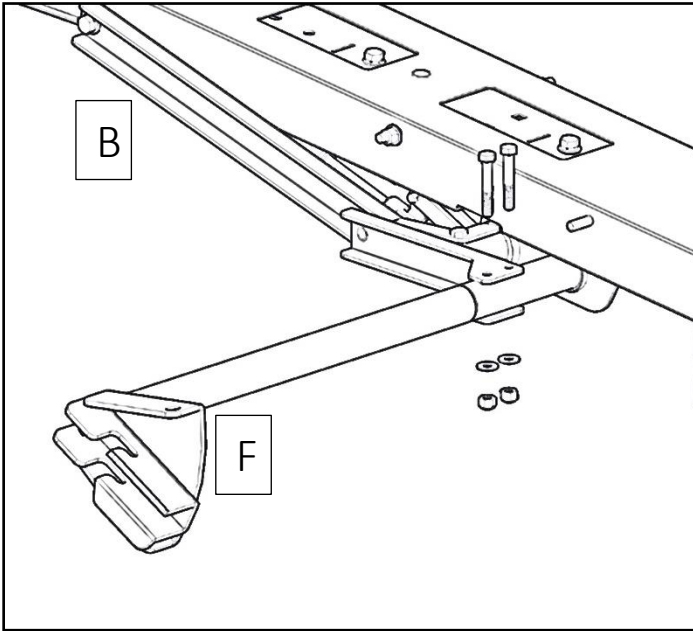
| 4099H PARTS | | DESCRIPTION | QTY |
|-------------|--|-----------------------|-----|
| A |  | Front Bow Assembly | 1 |
| B |  | Rear Bow Assembly | 1 |
| C |  | Torque Tube | 1 |
| D |  | Support Tube | 1 |
| E |  | Support Tube End | 1 |
| F |  | Actuator | 1 |
| G |  | Removable Handle | 1 |
| H |  | Ladder Hook | 2 |
| I |  | Ladder Stop | 2 |
| J |  | Torque Tube Extender | 1 |
| K |  | Handle Extender | |
| L |  | Support Tube Extender | 1 |
| | | HARDWARE | 1 |

Hardware

| ITEM | HARDWARE TO SCALE | PART NUMBER | DESCRIPTION | QTY. |
|------|---|-------------|---|------|
| 1 |  | 74803 | 10-24 X 5/8" PHILLIPS HEAD SCREW | 2 |
| 2 |  | 37014 | 10-24 NYLON INSERT LOCK NUT | 2 |
| 3 |  | 13004 | 1/4"-20 X 7/8" HEX HEAD BOLT | 9 |
| 4 |  | 37018 | 1/4"-20 NYLON INSERT LOCK NUT | 9 |
| 5 |  | 33078 | 1/4" FLAT WASHER | 18 |
| 6 |  | 92865A580 | 5/16"-18 X 5/8" HEX HEAD BOLT | 4 |
| 7 |  | 11241181 | 5/16"-18 X 1-1/2" HEX HEAD BOLT | 2 |
| 8 |  | 13010 | 5/16"-18 X 1-3/4" HEX HEAD BOLT | 2 |
| 9 |  | 0169777 | 5/16"-18 NYLOC | 4 |
| 10 |  | 92141A030 | 5/16" Flat Washer | 12 |
| 11 |  | 1133620 | 5/16" LOCKING WASHER | 4 |
| 12 |  | 1723A64 | Vinyl-Coated Holder, 3/4" -1-1/8" Tool Diameter | 2 |
| 13 |  | - | Self Leveling Adhesive Sealant | 1 |

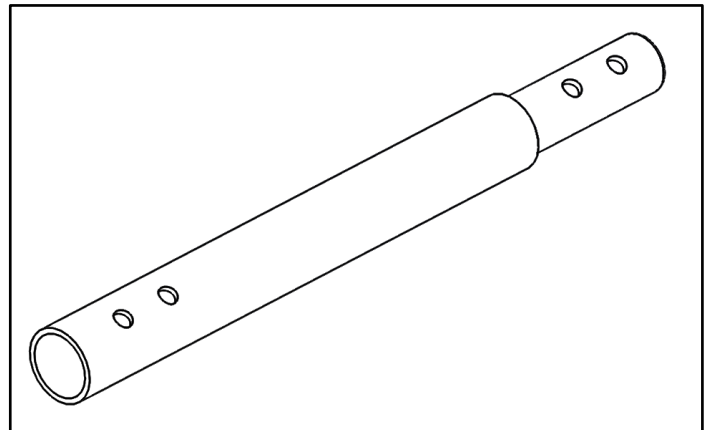
Step 1 – Install Actuator

- This can be done on or off the van.
- Remove existing hardware from the Rear Bow Assy (B) as shown.
- Keep hardware. It will be re-used later.
- Install the Actuator (F) with the “triangle” opening towards the end of the bow.
- **Be sure to put sealant into tube swedge and around the bolt holes.**



- If installing on a High Roof Extended Transit, the Handle Extension (L) will be used.

This extension goes between the rear bow (B) and the actuator (F).

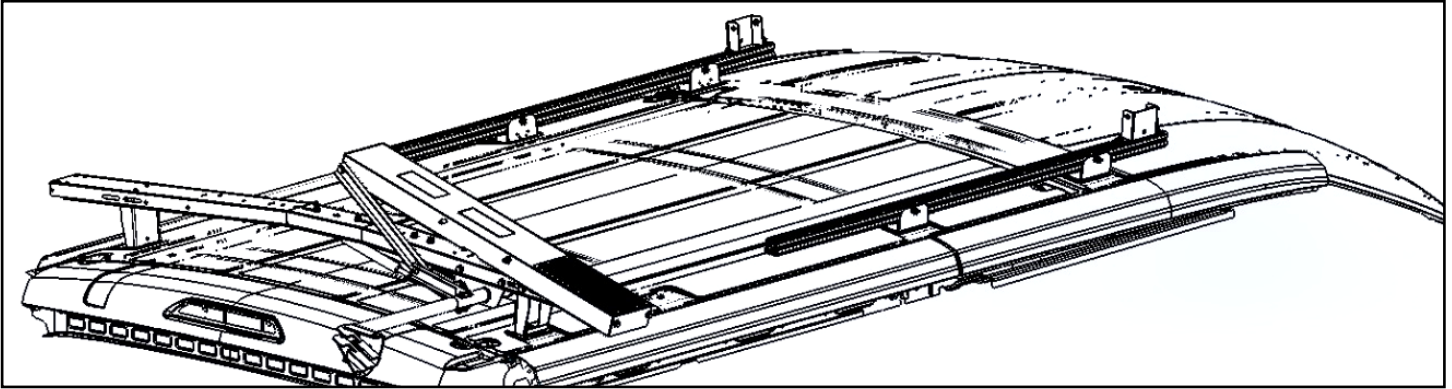


Step 2 – Install Front and Rear Bow

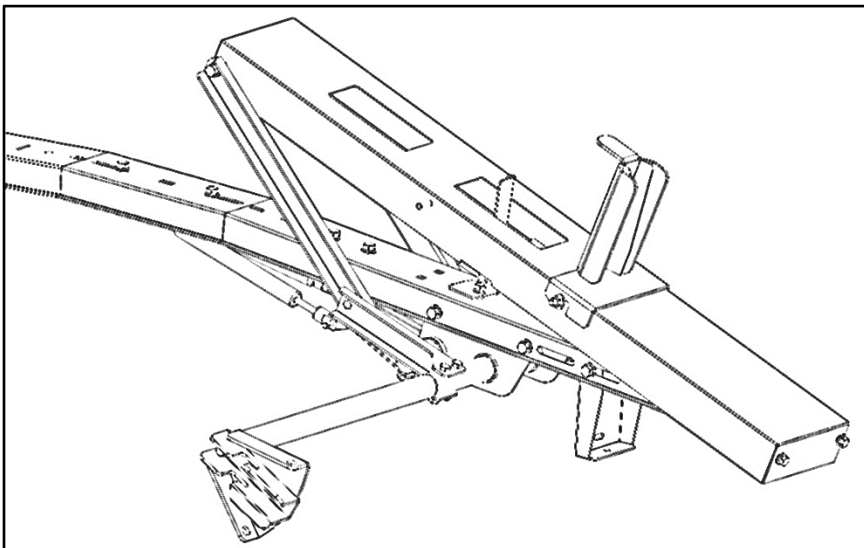
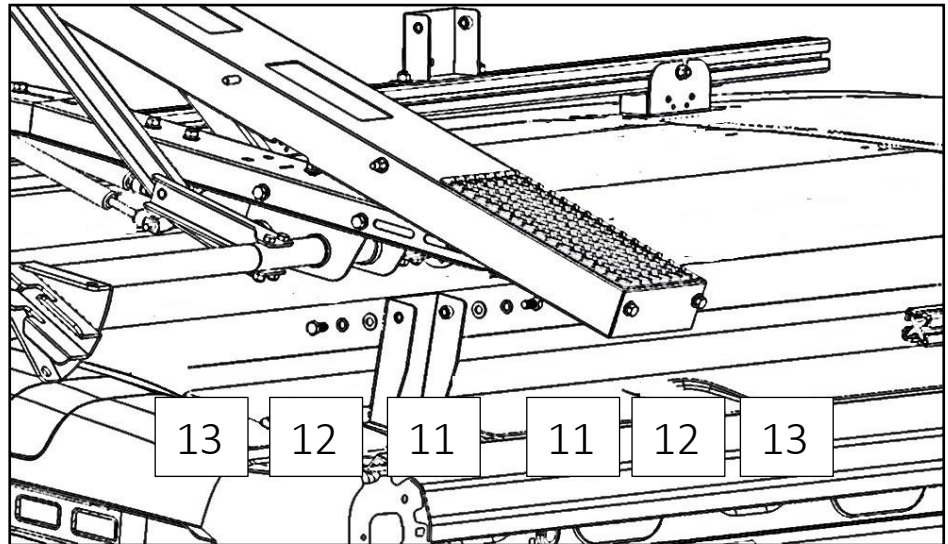
NOTE: If you have a lift you can skip this step and continue building the rack on a bench.

A. Rear Bow

- Set Rear Bow Assy (B) on rear mounting feet as shown.

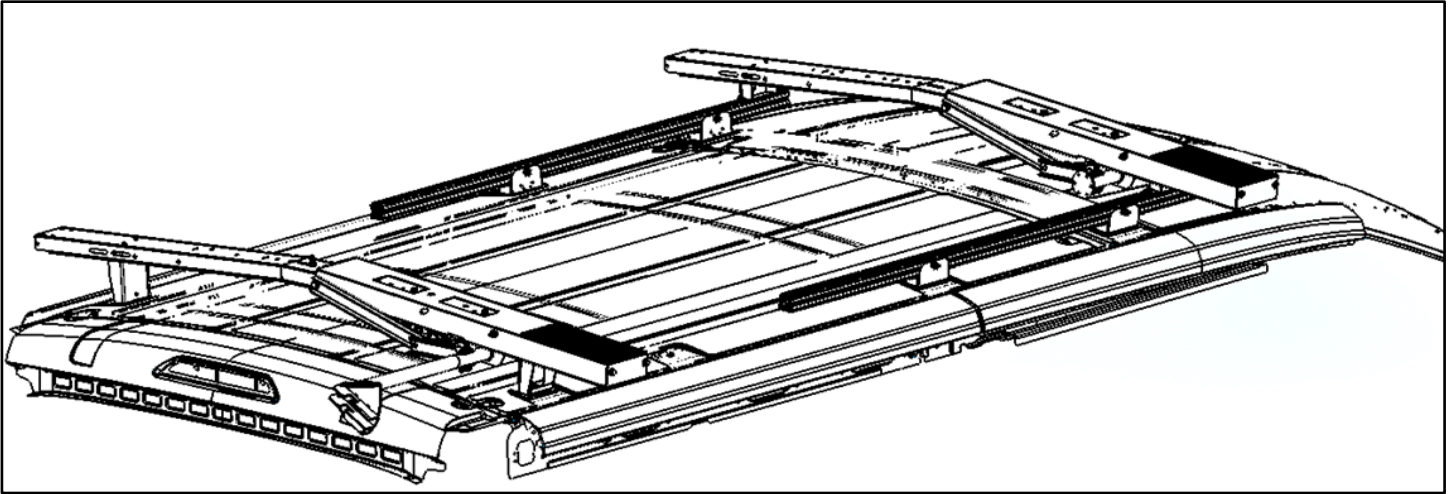


- Place a foam block from the packaging to hold the bow in the up position in order to access the mounting slots.
- Insert 3/8" x 3/4" hex head bolts (13) with 3/8" flat washer (12) and 3/8" lock washer (11) as shown.
- Leave loose until the the rack is assembled.
- Repeat on other side of bow.



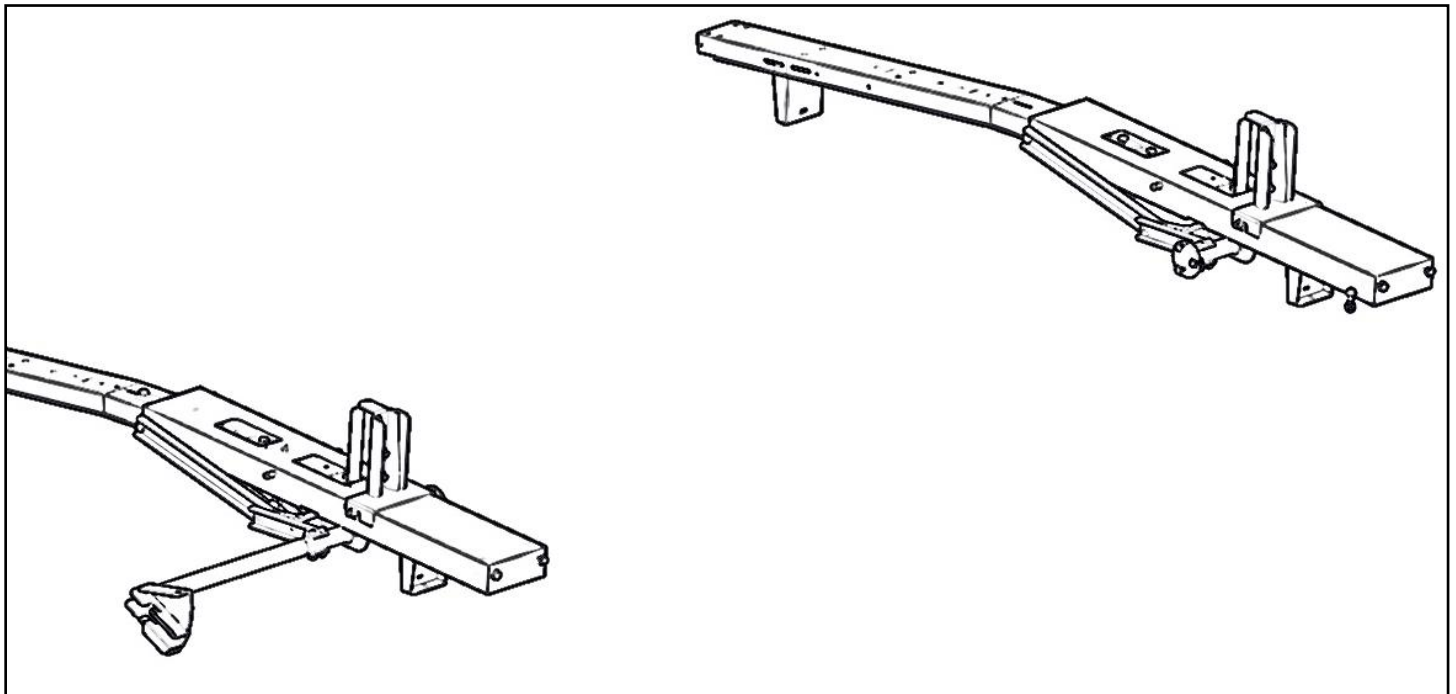
B. Front Bow

- Repeat the process for the front bow (A).



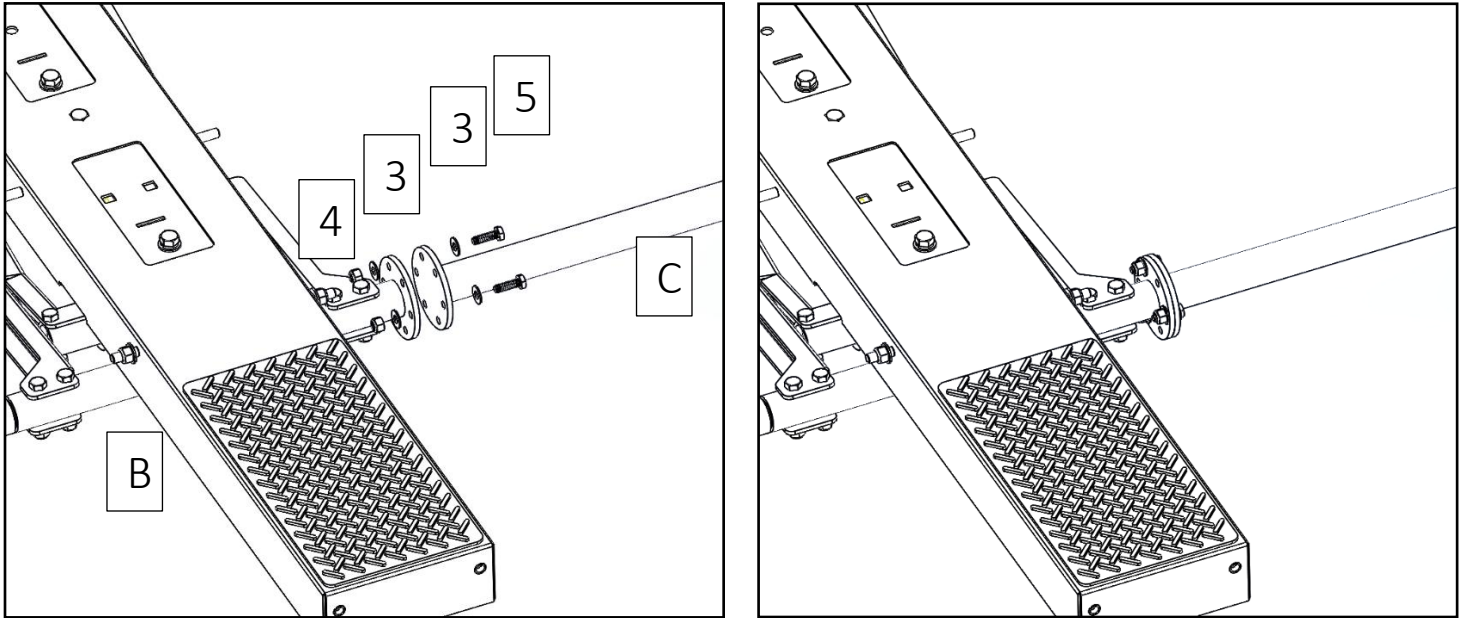
Step 3 – Torque Tube Installation

BE SURE THE BOTH FRONT AND REAR LADDER PANS ARE ALL THE WAY DOWN ON THE BOWS WHILE TIGHTENING.



- Bolt Torque Tube (C) to Rear Bow Assy (B) using three 1/4" x 7/8" hex head bolts (5) six 1/4" flat washers (3) and three 1/4" nyloc nuts (4).

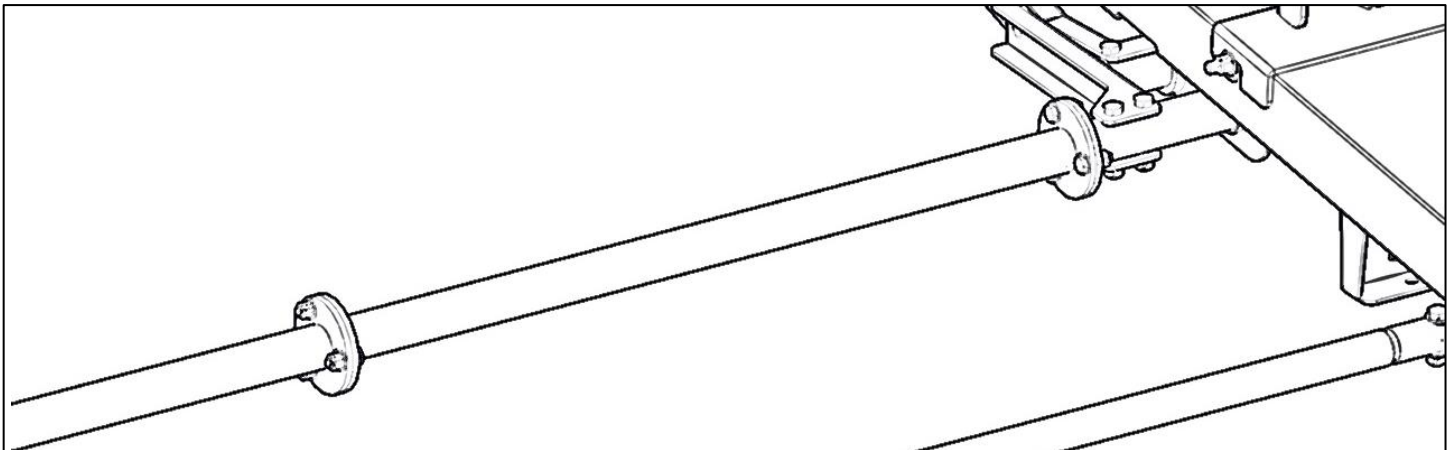
NOTE: You may want to put a foam packing block under the front of torque tube (C) to make it level while tightening.



- Repeat process to bolt to the front bow assembly (A).

If installing on a High Roof Extended Transit, the Torque Tube Extension (K) will be used.

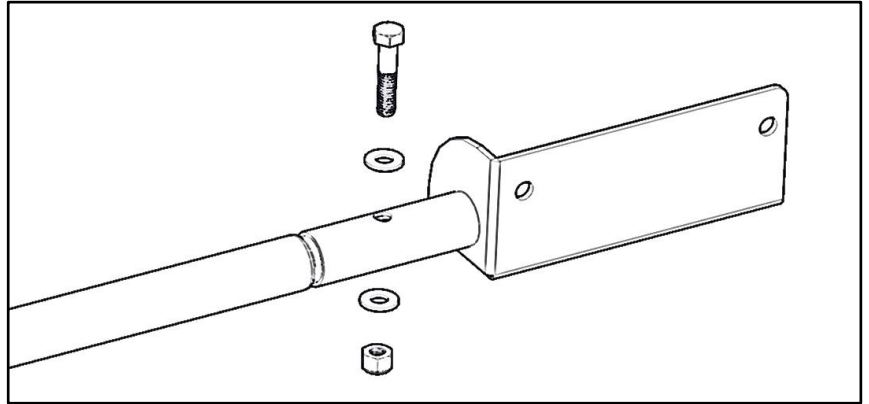
This extension goes inbetween the torque tube (C) and the front bow (A).



Step 4 – Ladder Pan Support

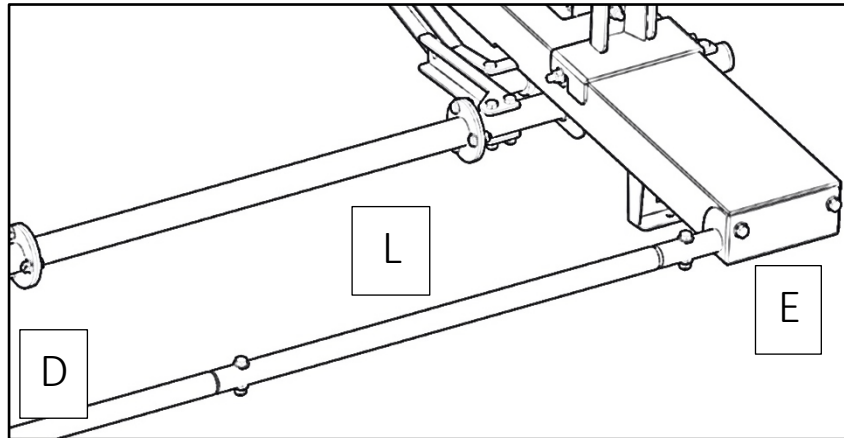
A.

- Assemble Support Tube (D&E).
- Put sealant (13) into tube swedge and around the bolt holes to prevent water from getting into tubes.



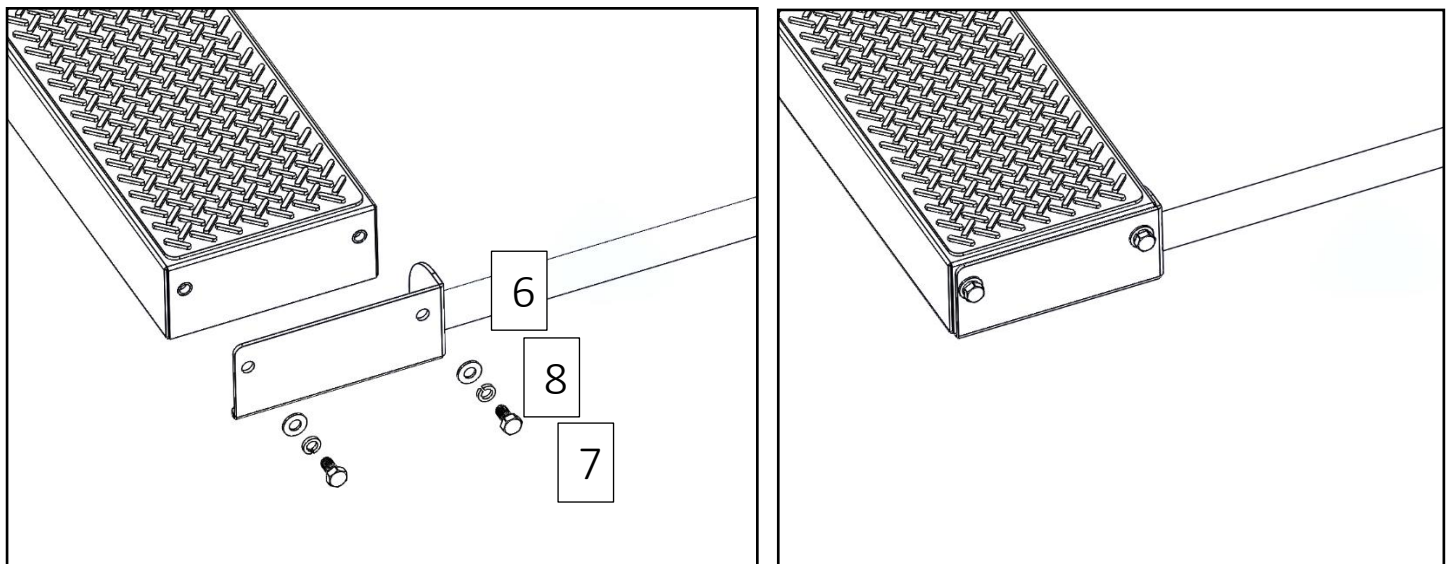
If installing on a High Roof Extended Transit, the support tube extension (L) will be used.

This extension goes between the support tube (D) and the support tube end (E).



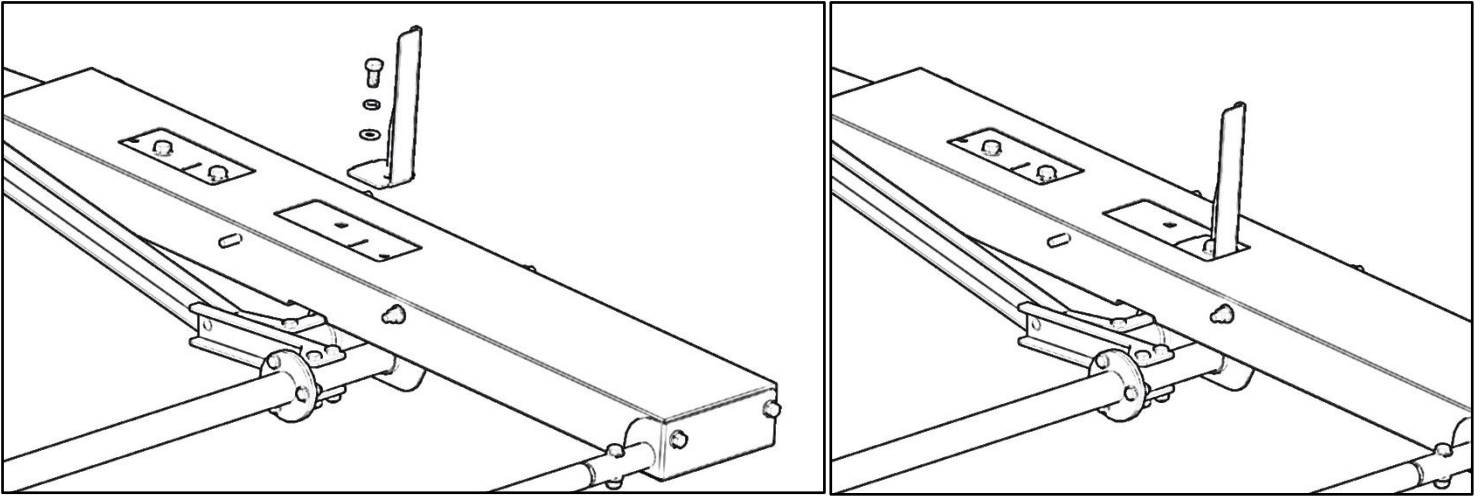
B.

- Attach Support Tube (D & E) to the Ladder pan as shown using 5/16" x 5/8" hex head (7) with 5/16" lock washers (8) and 5/16" flat washers (6)

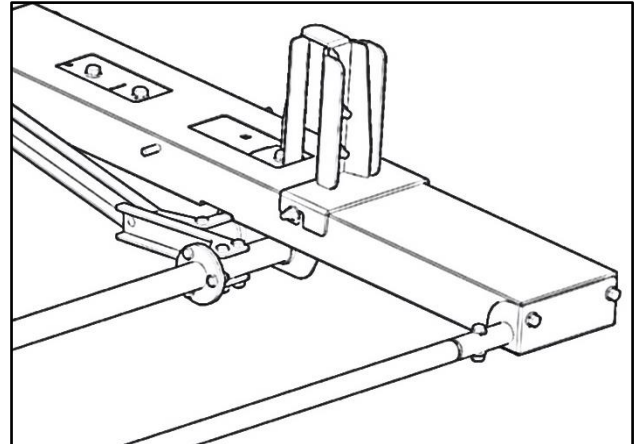
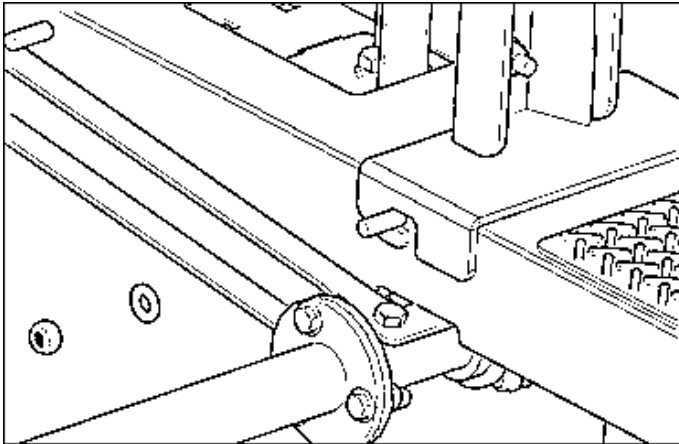


Step 5 – Ladder Stops and Hooks

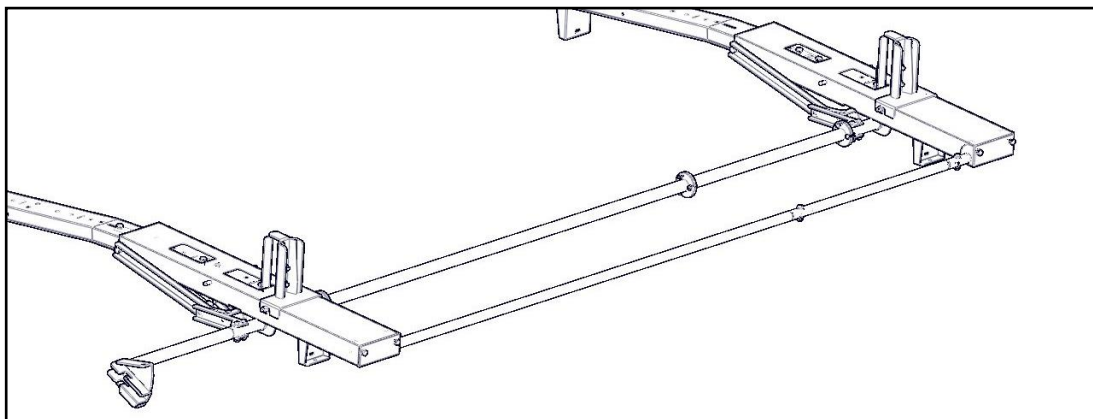
- On the front bow (A), remove 3/8" x 3/4" bolt, 3/8" split lock washer and 3/8" flat washer from shown location and install Ladder Stop (I).



- Bolt Ladder Hook (H) to the lower position where the pem studs are installed. Use a 5/16" flat washer (6) and a 5/16" nyloc nut (9).

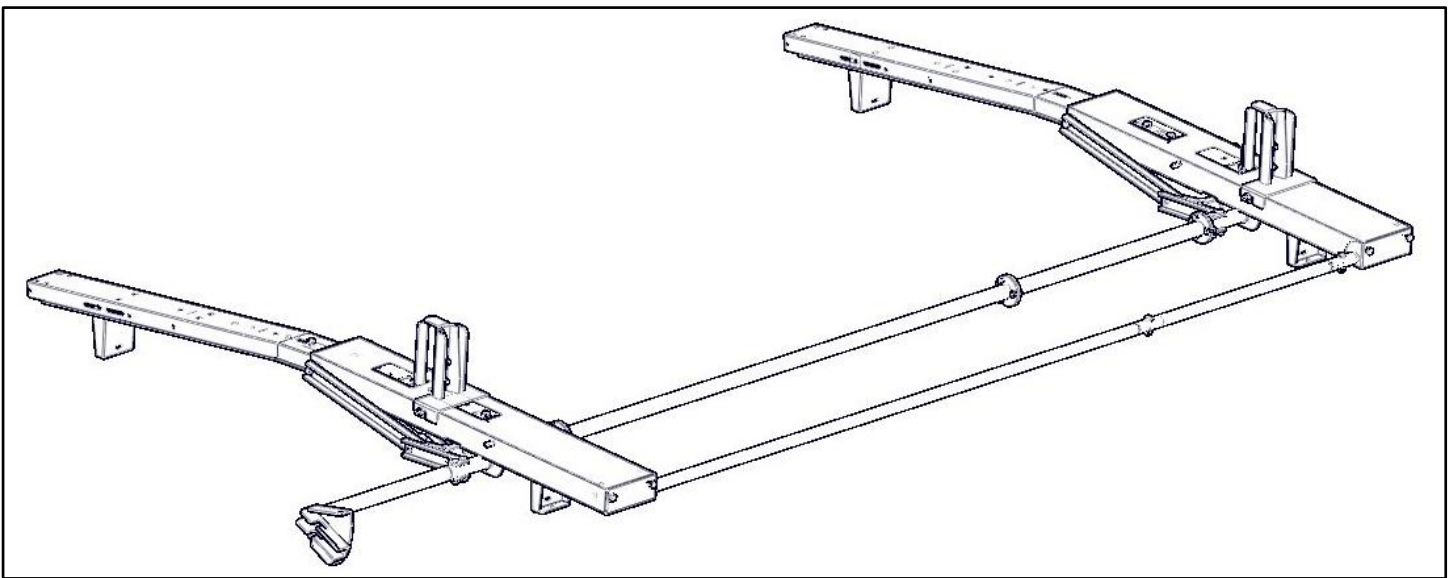
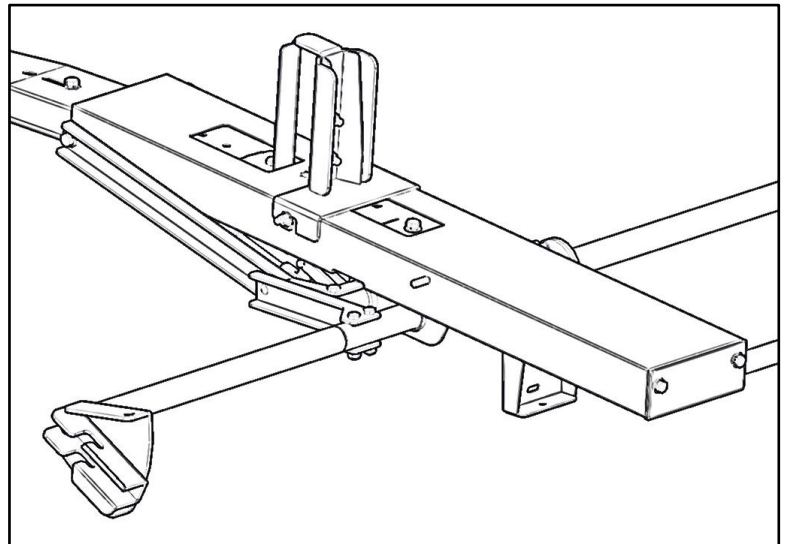


- Repeat on both sides of ladder hook (H).
- If using an "Extension Ladder" put the Ladder Stop(I) at the same location on the Front & Rear Bow Assy (A & B).



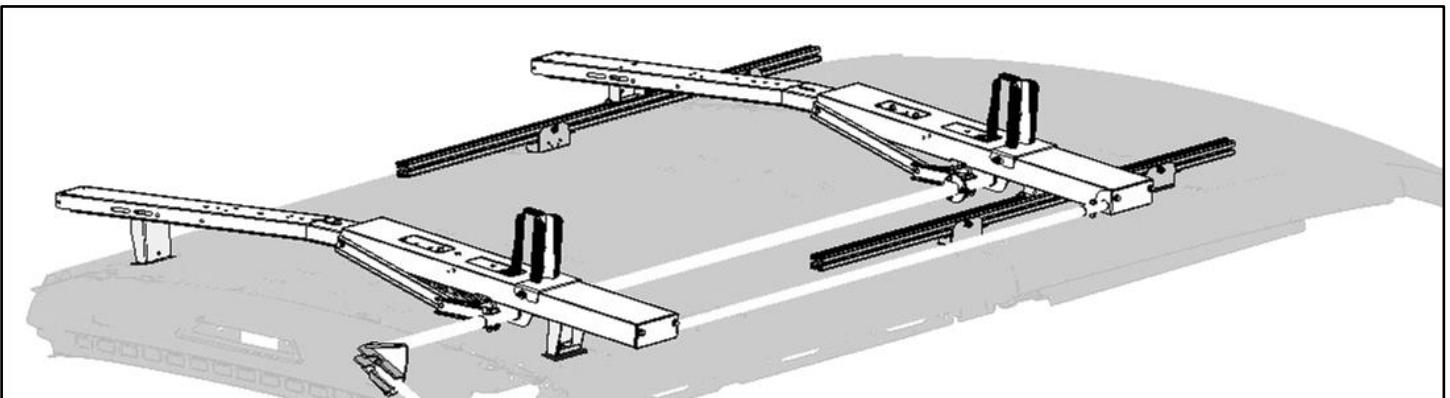
Step Ladder Set-Up

- If installing for a “Step ladder”, The ladder hook (H) and the ladder stop (I) change positions on the rear bow.
- Both of these parts move higher up on the bow and are installed using the other pem studs.



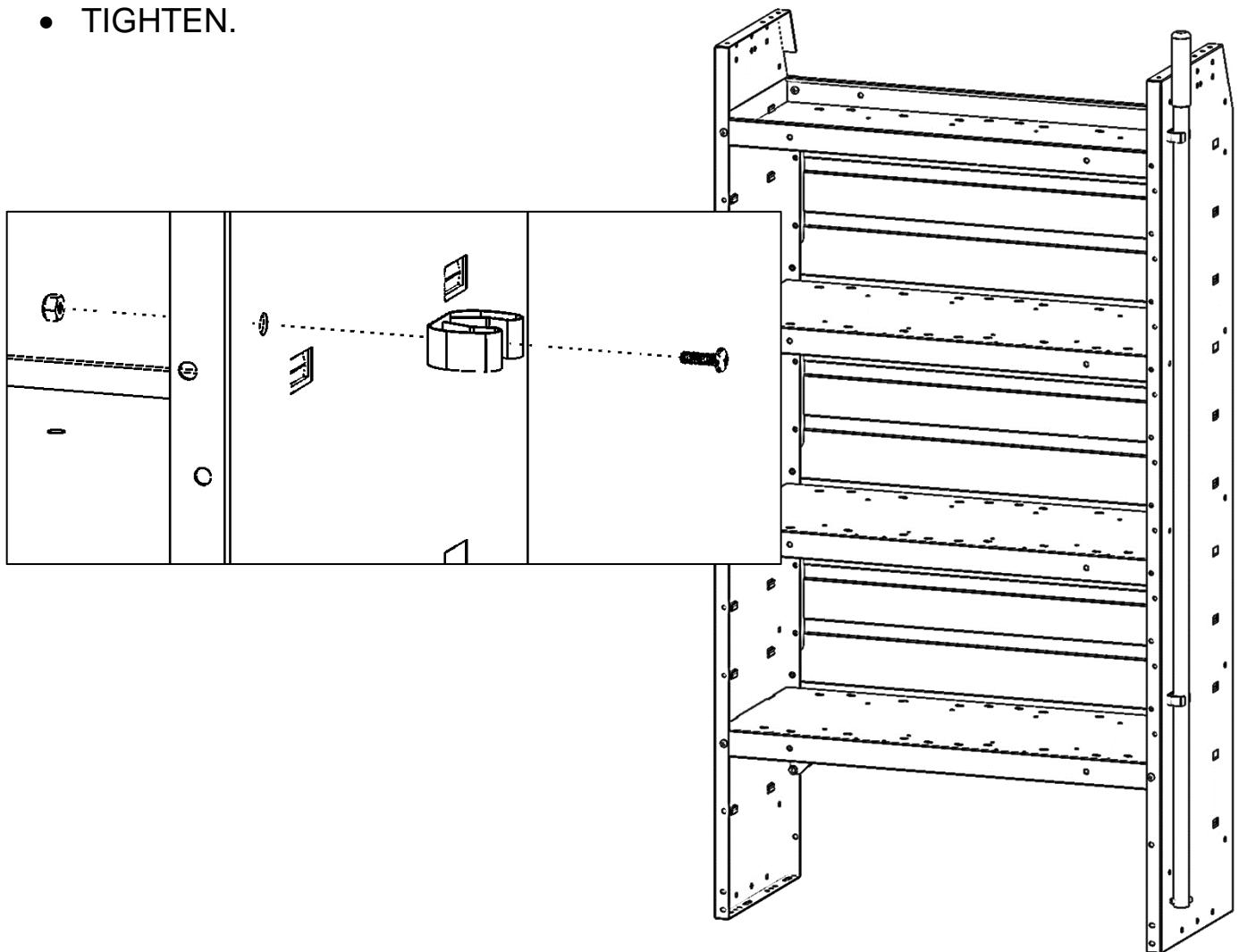
Step 6 – Installing Rack

- If you built the rack on the bench you can now set the rack on the mounts as described in Step 2.
- Be sure rack is centered on the van then **TIGHTEN** all the hardware.



Step 7 – Install Clips for Handle

- Locate a good mounting place to install the upper clip for the handle. We recommend placing towards the rear of the van on the rear panel of a shelf.
- Place the upper clip on the handle.
- Place the handle against the shelf in the desired location.
- Mark the holes onto the shelf.
- Drill the locations using a 7/32" drill.
- Attach clip using a #10 x 5/8" pan head screw and #10 nut.
- Repeat for second clip.
- TIGHTEN.



GO BACK AND ENSURE ALL HARDWARE IS TIGHT.

YOUR INSTALLATION IS NOW COMPLETE.