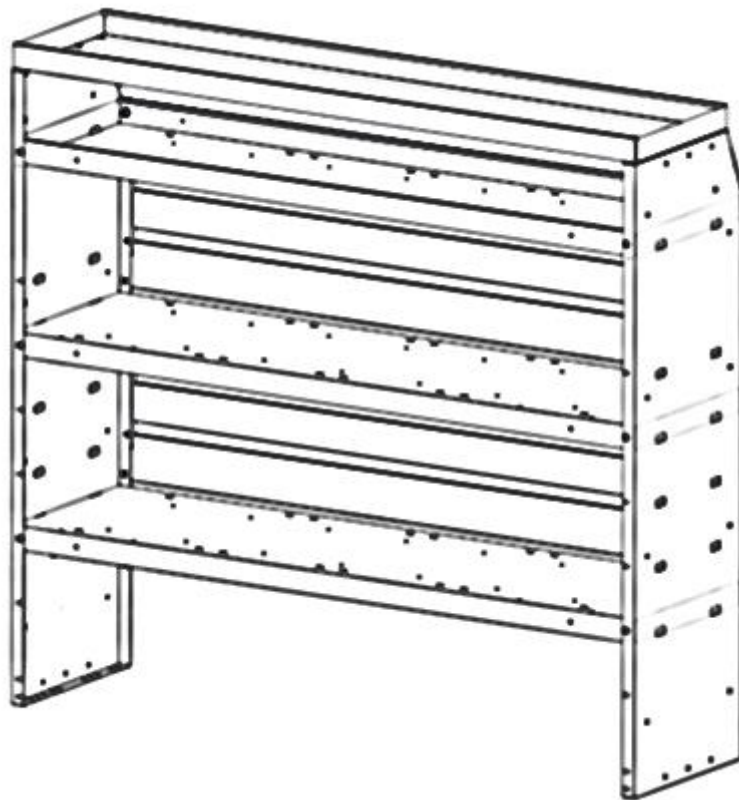


Holman

Installation Guide

48151



Holman
Rancho Cordova, CA 95742
800-343-7486
InstallationSupport@Holman.com

PLEASE READ ALL INSTRUCTIONS AND WARNINGS PRIOR TO ASSEMBLING, INSTALLING, AND USING THIS PRODUCT.

Warning



Always check for wires, fuel tanks and lines, brake lines and other important vehicle functionality items prior to drilling and installing all products.

Tools Needed

3/8" Wrench and Socket	7/16" Wrench and Socket
Phillips Driver	


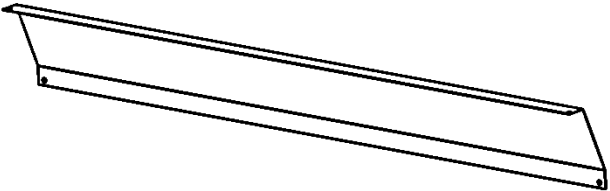
Table of Contents

Parts List	2
Hardware List	2
Step 1 – Prepare Shelf Unit	3
Step 2 – Mount Top Back Panel	3
Step 3 – Mount Top Shelf	4
Step 4 – Align and Square	4

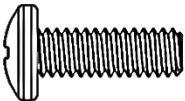
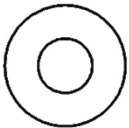




Before You Begin

- Read all instructions.
 - Be sure to have 52" shelf assembled prior to installation.
-

Parts

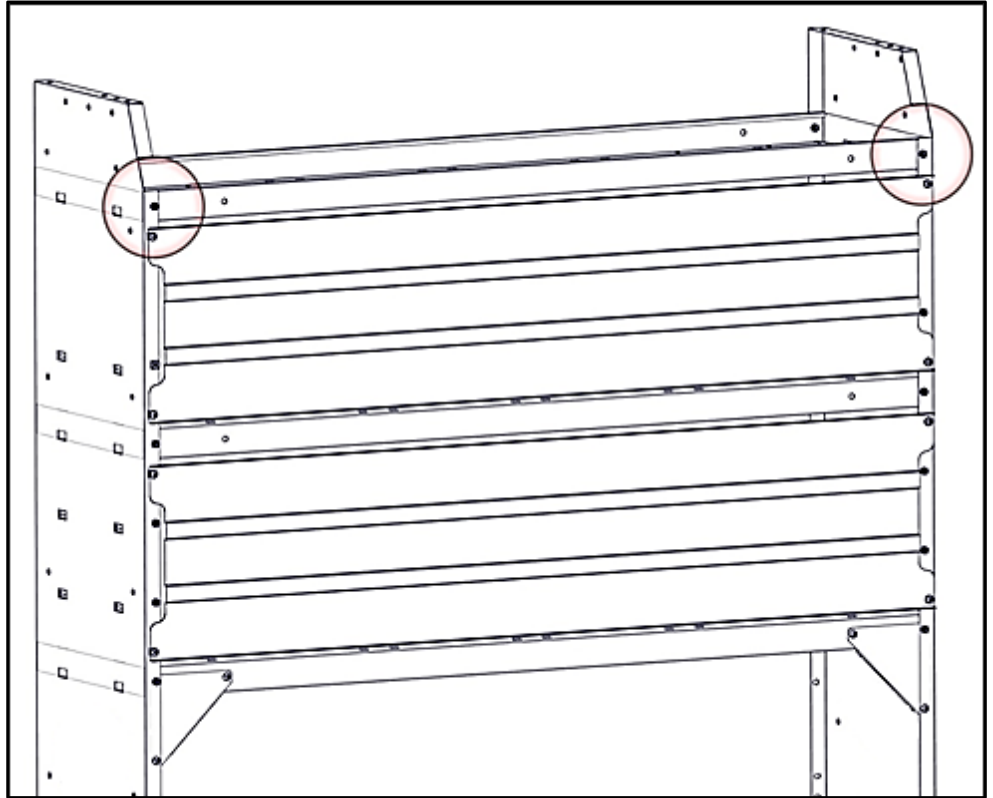
ITEM NO.		PART NUMBER	DESCRIPTION	QTY.
A		48151-00-001	Top Shelf	1
B		48151-00-002	Top Back panel	1
		18-48100	Extra Top Shelf Hardware	1

Hardware

ITEM NO.	TO SCALE	PART NUMBER	DESCRIPTION	QTY.
1		90272A540	.25-20 x .75 Phillips Head	2
2		90126A029	.25 Flat Washer	2
3		95615A120	.25-20 Nyloc	2
4		90272A244	No10-24 x .625 Phillips Head	6
5		90126A514	No10 Flat Washer	6
6		90631A011	No10-24 Nyloc	6

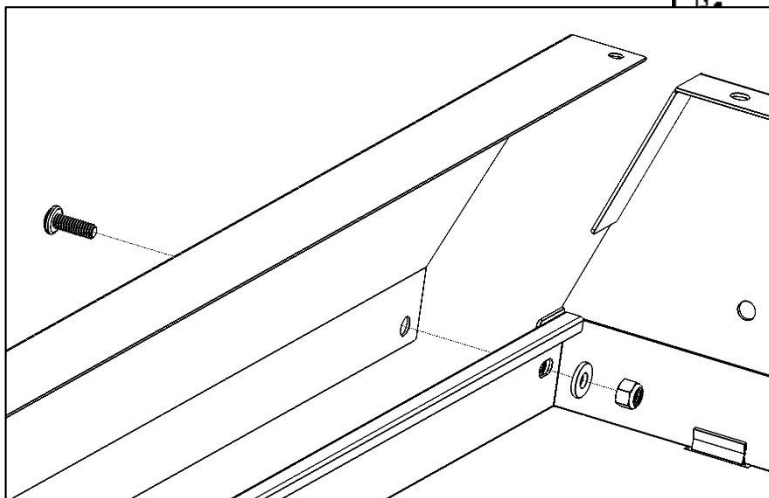
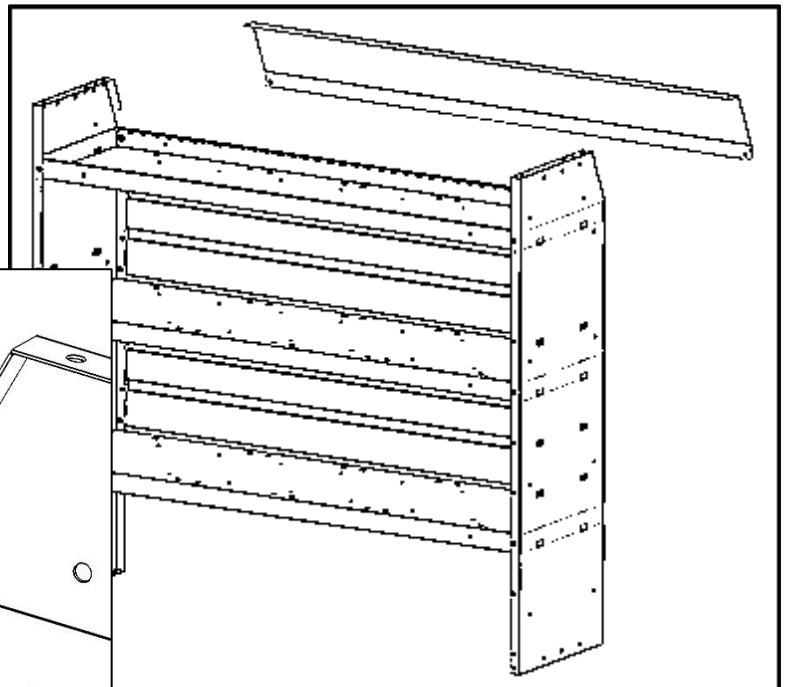
Step 1 – Prepare Shelf Unit

- Remove both top-rear bolts from assembled shelf unit where the top shelf is installed.



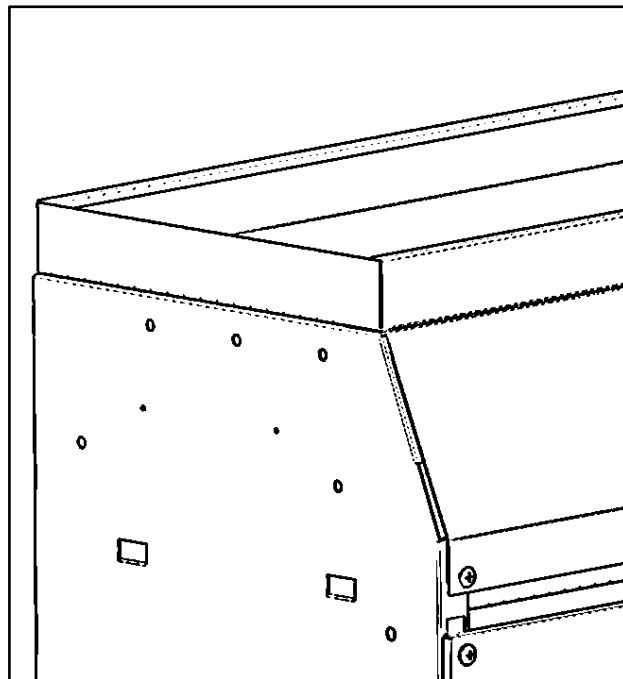
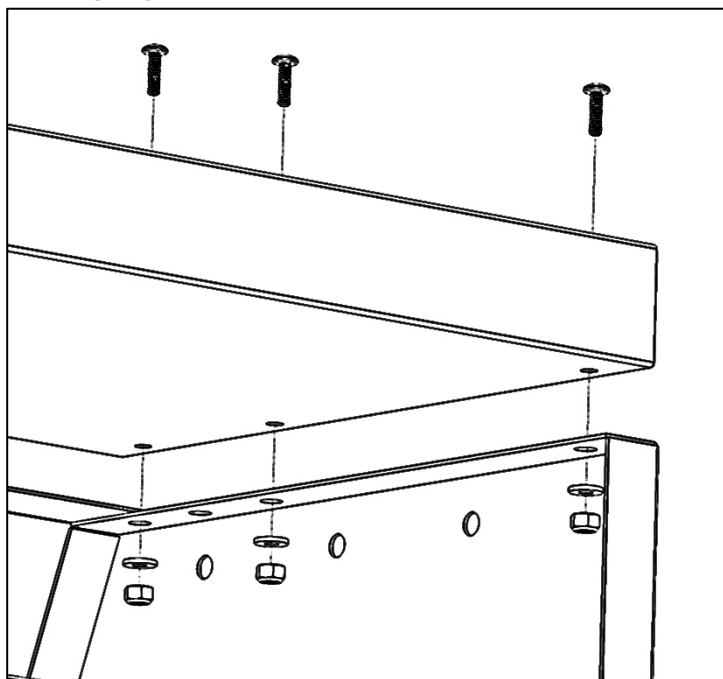
Step 2 – Mount Top Back Panel

- Place Top Back Panel (B) flush against the backside of shelf unit.
- Bolt through the pemnut where previous bolt was removed.
- Bolt together using a 1/4" x 3/4" phillips head screws, 1/4" flat washers, and 1/4" lock nuts.
- Repeat on both sides.
- Snug tighten, but allow movement.



Step 3 – Mount Top Shelf

- Place Top Shelf (A) on top of assembled shelf unit with the Top Back Panel (B).
- Bolt Top Shelf (A) through Top Back Panel (B) and through the top of the shelf assembly using three #10 x 5/8" phillips head bolt, #10 flat washer and a #10 lock nut on each side.
- Repeat on opposite side
- Snug tighten, but allow movement.



Step 4 – Align and Square

- Align and square top shelf to your liking.

**GO BACK AND TIGHTEN
ALL BOLTS.**

**YOUR INSTALLATION IS
NOW COMPLETE.**

