

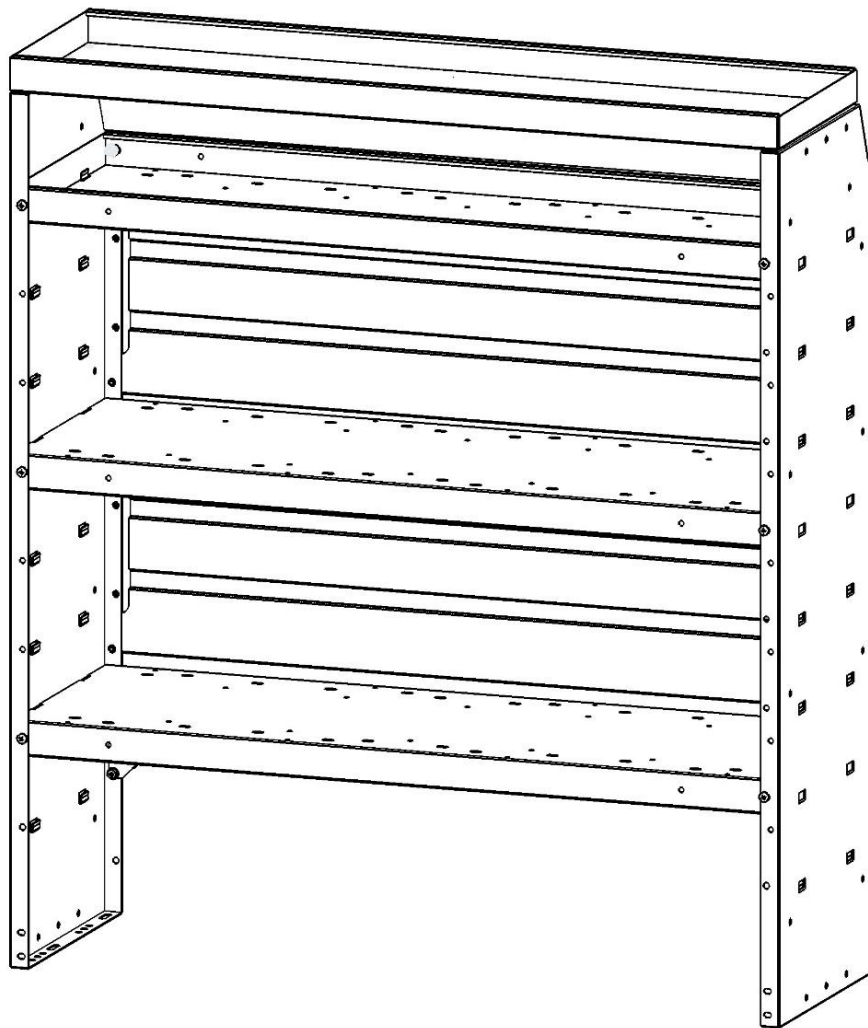
# Holman

---

## Installation Guide

### 48161

---



**\*Shelf sold separately.**

---

Holman  
Rancho Cordova, CA 95742  
800-343-7486

[InstallationSupport@Holman.com](mailto:InstallationSupport@Holman.com)

---

## PLEASE READ ALL INSTRUCTIONS AND WARNINGS PRIOR TO ASSEMBLING, INSTALLING, AND USING THIS PRODUCT.

---

### Warning



Always check for wires, fuel tanks and lines, brake lines and other important vehicle functionality items prior to drilling and installing all products.

---

### Tools Needed

3/8" Socket and Wrench	7/16" Socket and Wrench
#2 Phillips Screwdriver	

---

### Table of Contents

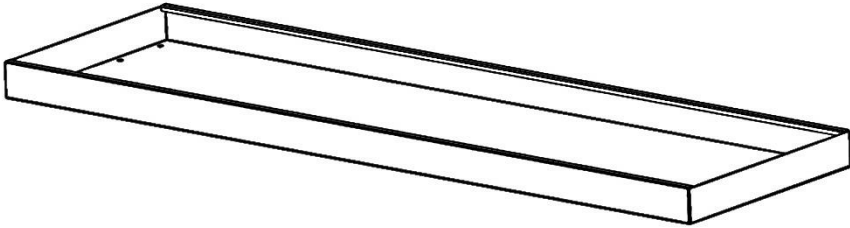
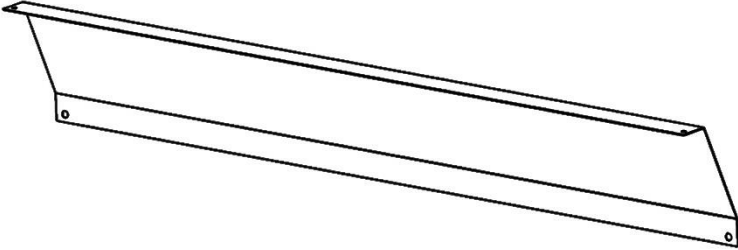
Before You Begin .....	1
Parts List .....	2
Hardware .....	2
Step 1 – Prepare Shelf Unit .....	3
Step 2 – Mount Top Back Panel .....	3
Step 3 – Mount Top Shelf .....	4
Step 4 – Align and Square .....	4

---

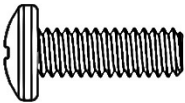
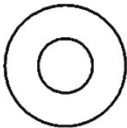




### Before You Begin

- Read all instructions prior to assembling or installing any Holman product.
- **Have 42" shelf assembled prior to install.**

## Parts List

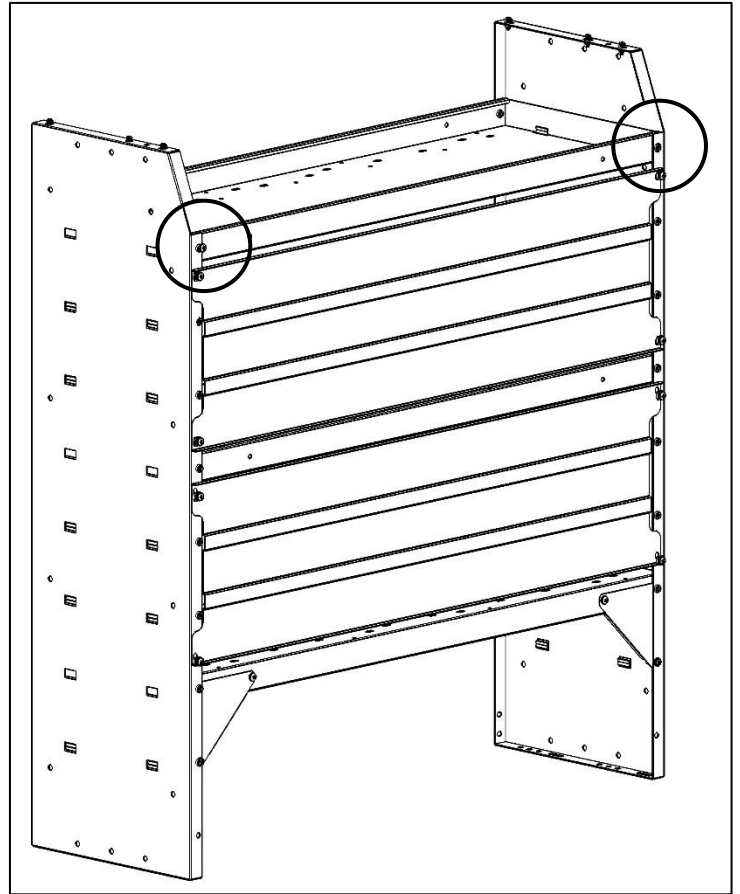
ITEM NO.		PART NUMBER	DESCRIPTION	QTY.
A		KD-42-301	Top Shelf	1
B		KD-42-302	Top Back panel	1
		18-48100	Extra Top Shelf Hardware	1

## Hardware

ITEM NO.	TO SCALE	PART NUMBER	DESCRIPTION	QTY.
1		90272A540	.25-20 x .75 Phillips Head	2
2		90126A029	.25 Flat Washer	2
3		95615A120	.25-20 Nyloc	2
4		90272A244	No10-24 x .625 Phillips Head	6
5		90126A514	No10 Flat Washer	6
6		90631A011	No10-24 Nyloc	6

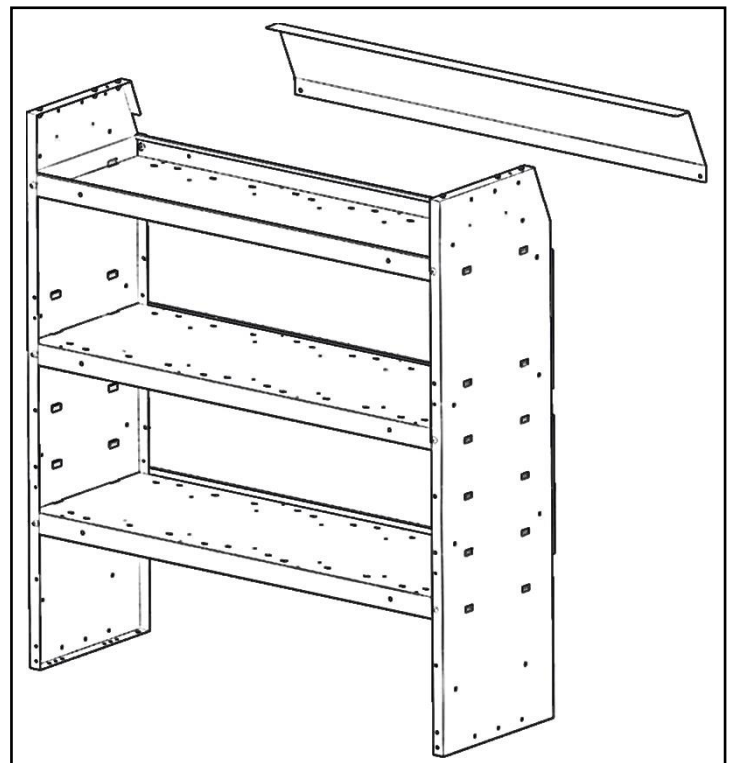
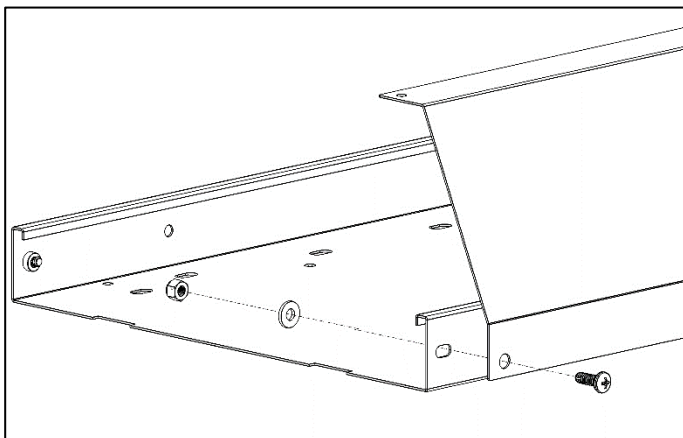
## **Step 1 – Prepare Shelf Unit**

- Remove both top-rear bolts from assembled shelf unit where the top shelf is installed.



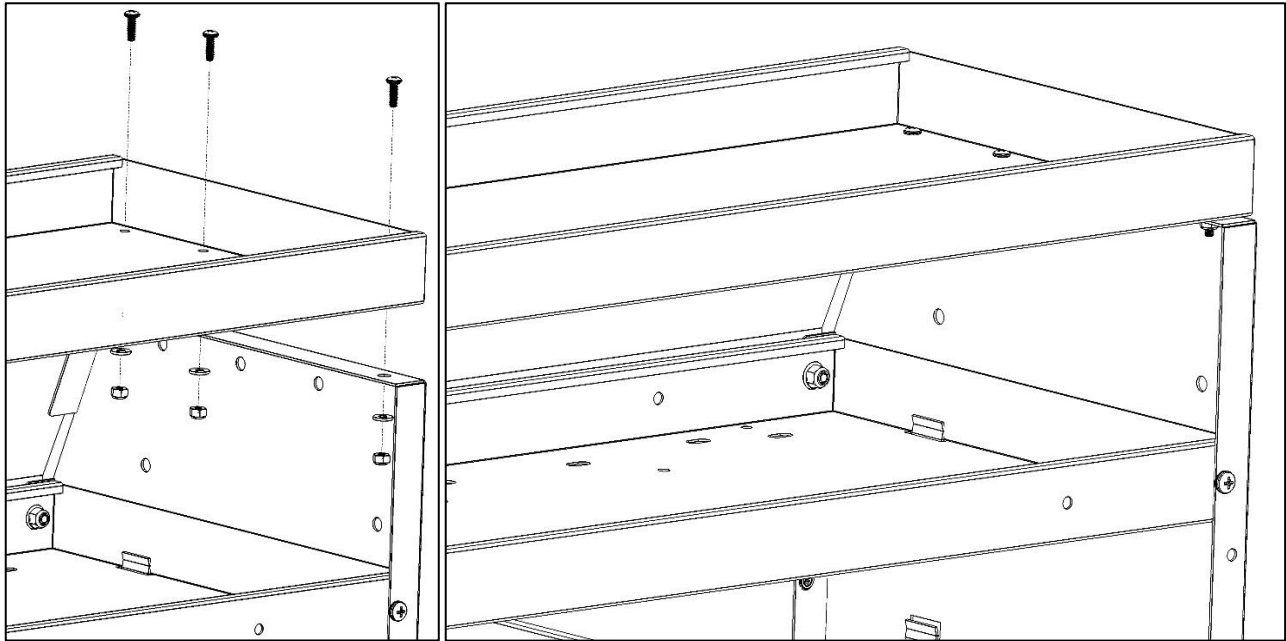
## **Step 2 – Mount Top Back Panel**

- Place Top Back Panel flush against the backside of shelf unit. Bolt through the pemnut where previous bolt was removed.
- Bolt together using a 1/4" x 3/4" phillips head, a 1/4" flat washer and a 1/4" lock nut.
- Repeat on both sides.
- Snug tighten, but allow movement.



## Step 3 – Mount Top Shelf

- Place Top Shelf on top of assembled shelf unit with the Top Back Panel.
- Bolt Top Shelf through Top Back Panel and through the top of the shelf assembly using three #10 x 5/8" Philips head bolt, #10 flat washer, and a #10 lock nut on each side.
- Repeat on opposite side
- Snug tighten, but allow movement.



## Step 4 – Align and Square

- Align and square top shelf to your liking.

**GO BACK AND TIGHTEN ALL  
HARDWARE.**

**INSTALLATION IS COMPLETE.**

