

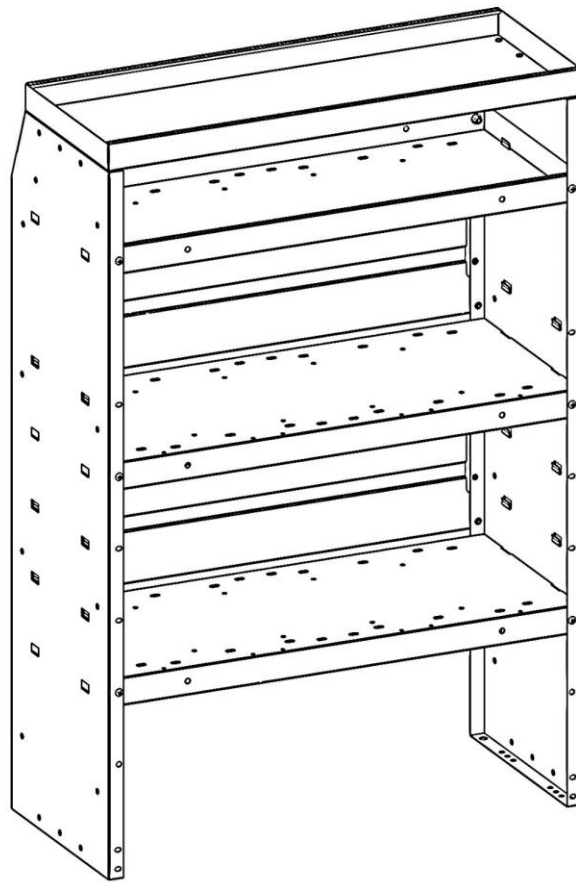
# Holman

---

## Instruction Guide

### 48171

---



---

Holman  
Rancho Cordova, CA 95742  
800-343-7486  
InstallationSupport@holman.com

---

---

**PLEASE READ ALL INSTRUCTIONS AND WARNINGS PRIOR TO ASSEMBLING, INSTALLING, AND USING THIS PRODUCT.**

---

**Warning**



Always check for wires, fuel tanks and lines, brake lines and other important vehicle functionality items prior to drilling and installing all products.

---

**Tools Needed**

3/8" Wrench and Socket	7/16" Wrench and Socket
Phillips Driver	

---

**Table of Contents**

Before You Begin ..... 1

Parts List ..... 2

Hardware ..... 2

Step 1 – Prepare Shelf Unit ..... 3

Step 2 – Mount Top Back Panel ..... 3

Step 3 – Mount Top Shelf ..... 4

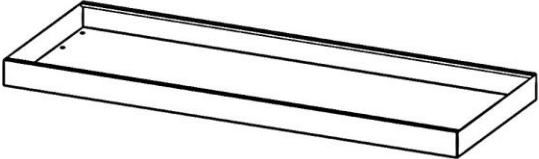
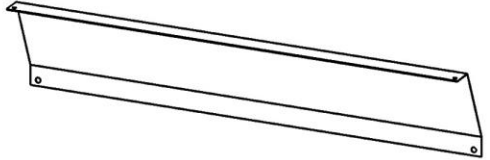
Step 4 – Align and Square ..... 4

---

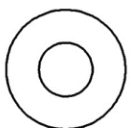

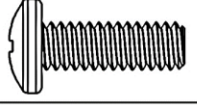

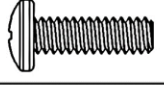
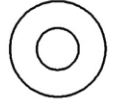
**Before You Begin**

- Read all instructions.
  - Have 32" shelf assembled prior to installing top shelf.
-

## Parts List

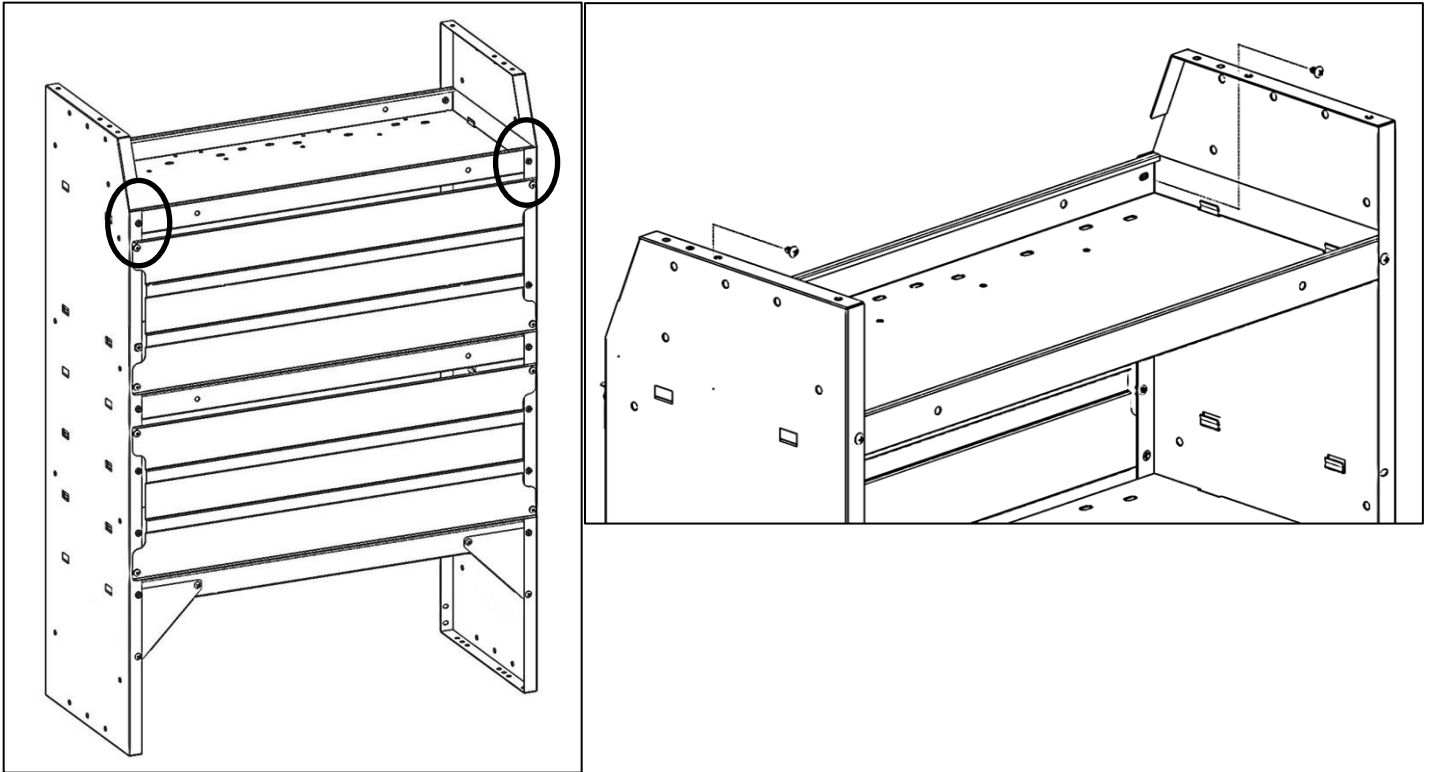
ITEM NO.	ITEM	PART NUMBER	DESCRIPTION	QTY.
1		48171-00-001	TOP SHELF	1
2		48171-00-002	TOP BACK PANEL	1
3		18-48100	EXTRA TOP SHELF HARDWARE	1

## Hardware

ITEM	HARDWARE TO SCALE	PART NUMBER	DESCRIPTION	QTY.
1		33078	1/4" WASHER	2
2		37018	1/4"-20 NYLON INSERT LOCK NUT	2
3		29174	1/4"-20 X 3/4" PHILLIPS HEAD SCREW	2
5		37014	10-24 NYLON INSERT LOCK NUT	6
6		74803	10-24 X 5/8" PHILLIPS HEAD SCREW	6
4		33074	#10 FLAT WASHER	6

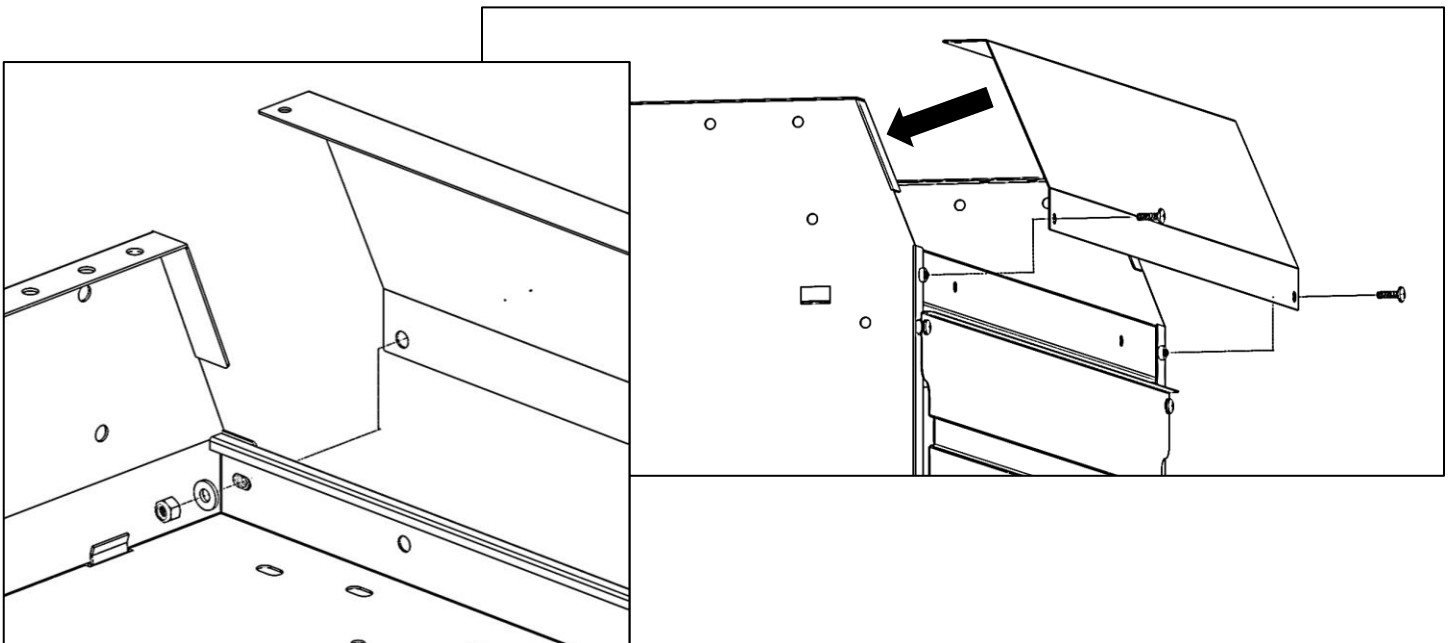
## **Step 1 – Prepare Shelf Unit**

- Remove both top-rear bolts from assembled shelf unit where the top shelf is installed.



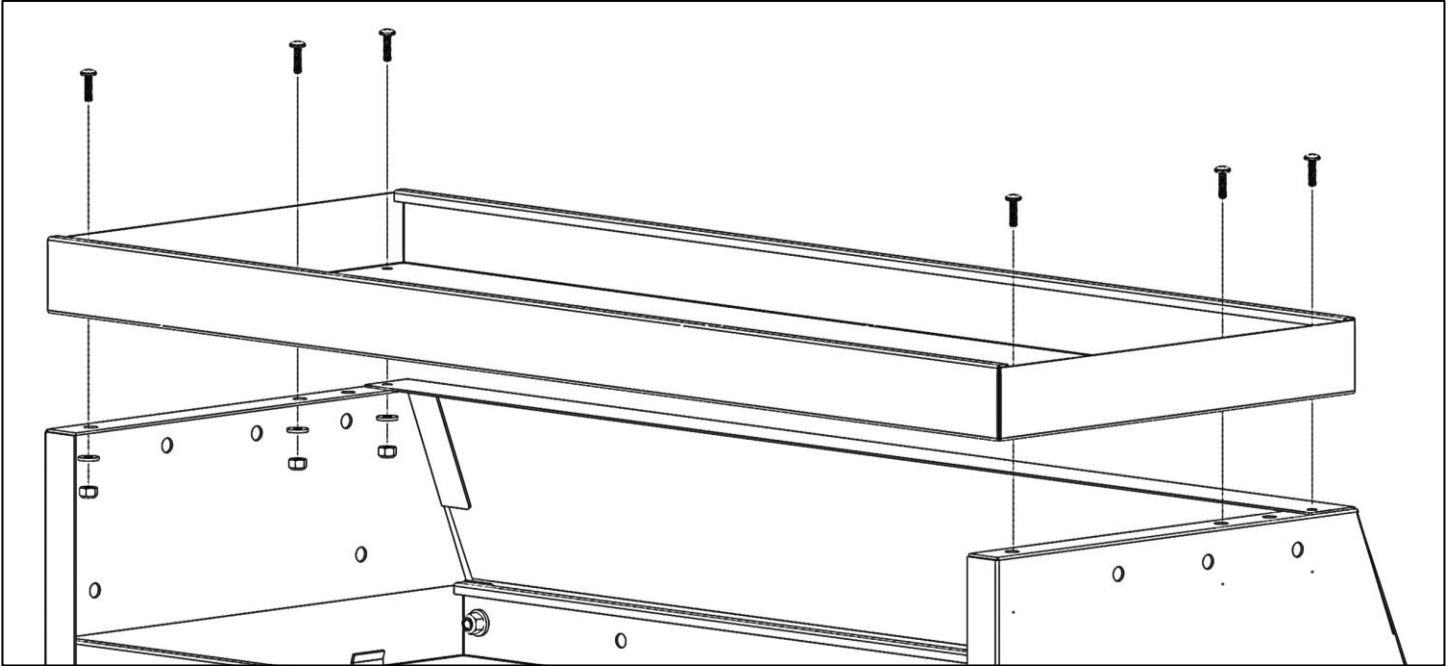
## **Step 2 – Mount Top Back Panel**

- Place top back panel flush against the backside of shelf unit.
- Using two 1/4" x 3/4" Phillips head, two 1/4" flat washer and two 1/4" lock nut, bolt through the installed self-clinching nut, from rear to front, where previous bolt was removed, as shown below.
- Snug tighten, but allow movement.



## Step 3 – Mount Top Shelf

- Place top shelf on top of assembled shelf unit.
- On each side, bolt top shelf through top back panel and through the top of the shelf assembly using three #10 x 9/16" Phillips head screws, three #10 flat washers and three #10 lock nuts.
- Snug tighten, but allow movement.



## Step 4 – Align and Square

- Align and square top shelf.
- Go back and tighten all hardware.
- Install shelf per shelf installation instructions included with the shelving unit.

**GO BACK AND ENSURE ALL  
HARDWARE IS TIGHTENED.**

**INSTALLATION IS COMPLETE.**

